

## Type 67AFD Filter

The Type 67AFD aluminum-body filter with drip pot (figures 1 and 2) removes dirt, moisture, and other particles from air or gas lines. This economical filter is commonly used in the supply line to a pneumatic instrument that does not require a pressure-reducing regulator.

The standard cellulose or optional stainless steel filter element removes particles greater than 0.0016 inch (0.040 mm) in diameter. Electrodeposition epoxy paint is standard on the body to provide a longer-lasting appearance and to help combat corrosive atmospheres.

This filter features two outlet connections, one 90 degrees and the other 180 degrees from the inlet connection. The filter comes from the factory with a pipe plug or optional gauge in the 180-degree outlet; the 90-degree outlet is left open. However, the plug or gauge may be changed from one outlet connection to the other as dictated by piping requirements.

### Installation

The filter must be installed so that flow is from the inlet connection to one of the two outlet connections. For adequate drainage, the filter should be pointed so that the drain valve is down. For remote drainage, the drain valve may be removed and 1/4-inch pipe or tubing installed in its place.

The optional pipe nipple may be attached to either outlet connection. The pipe plug, or a gauge or manometer, is to be installed in the other outlet connection.

Dimensions are shown in figure 3.

### Ordering Information

When ordering, specify:

1. Type number
2. Connection size
3. Desired construction materials, pipe nipple option, and gauge option as indicated in the Specifications section.



Figure 1. Exterior View of Type 67AFD Filter

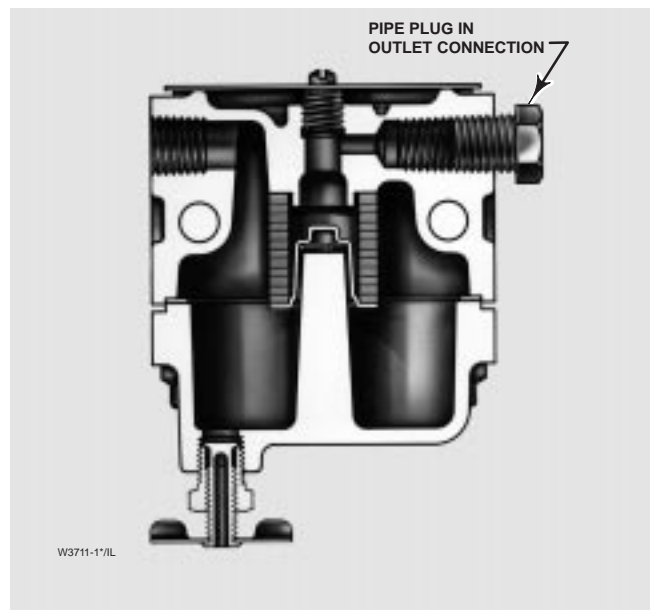


Figure 2. Construction Details



# Bulletin 90.1:67AFD

## Specifications

### Body Size And End Connection Style<sup>(1)</sup>

1/4 in. NPT screwed

### Maximum Allowable Inlet And Outlet Pressure<sup>(2)</sup>

250 psig (17 bar)

### Filter Capabilities

**Free Area:** 12 times pipe area

**Micron Rating:** 40

### Construction Materials

**Body and Filter Cap:** Aluminum

**Drain Valve:** ■ Brass (standard), ■ aluminum, or ■ stainless steel

**Outlet Pipe Plug:** ■ Plated steel (standard), ■ brass, or ■ carbon steel

**Filter Element:** ■ Cellulose (standard) or ■ stainless steel

**Gasket:** ■ Neoprene (standard) or ■ fluoroelastomer (high-temperature)

**Retainer Assembly:** Steel and stainless steel  
**Cap Screws, Machine Screws, and Optional Outlet Pipe Nipple:** Plated steel

### Material Temperature Capabilities<sup>(2)</sup>

Neoprene Gasket: -20 to 150°F (-29 to 66°C)

Fluoroelastomer Gasket: 0 to 350°F (-18 to 177°C)

### Approximate Weight

1-1/2 lb (0.68 kg)

### Additional Option

■ 0 to 30, ■ 0 to 60, ■ 0 to 100, ■ 0 to 160, ■ 0 to 200, or ■ 0 to 300 psig<sup>(3)</sup> pressure gauge

1. End connections threaded to various national or international thread standards can usually be supplied. Contact the Fisher sales office or sales representative.

2. The pressure/temperature limits in this bulletin, and any applicable code or standard

limitations, should not be exceeded.

3. Consult your Fisher sales office or sales representative for gauges in other units of measurement.

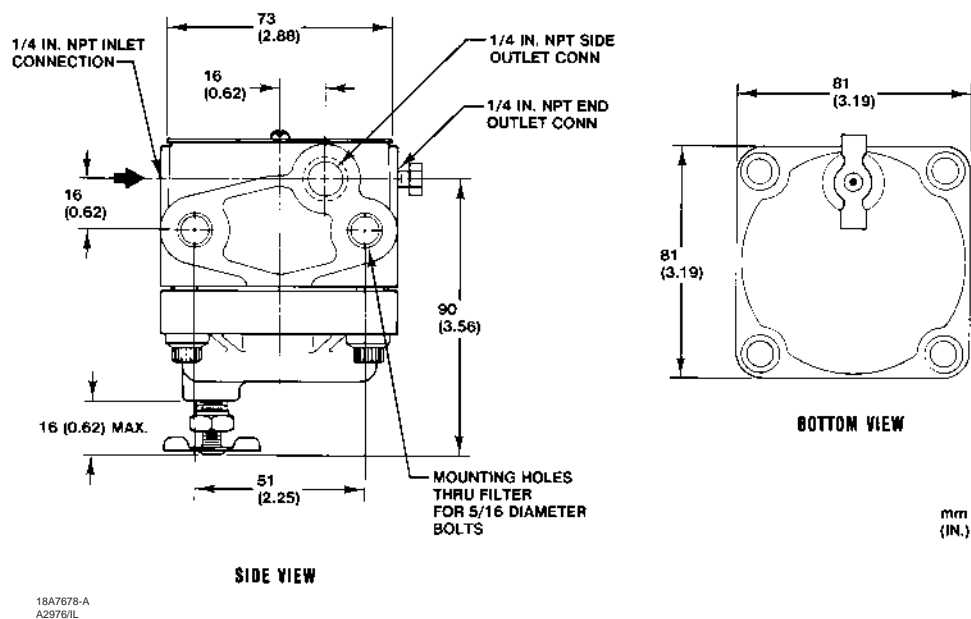


Figure 3. Dimensions

Fisher, Fisher-Rosemount, and Managing The Process Better are marks owned by Fisher Controls International, Inc. or Fisher-Rosemount Systems, Inc. All other marks are the property of their respective owners.

©Fisher Controls International, Inc. 1982; All Rights Reserved

The contents of this publication are presented for informational purposes only, and while every effort has been made to ensure their accuracy, they are not to be construed as warranties or guarantees, express or implied, regarding the products or services described herein or their use or applicability. We reserve the right to modify or improve the designs or specifications of such products at any time without notice.

For information, contact Fisher Controls:  
 Marshalltown, Iowa 50158 USA  
 Cernay 68700 France  
 Sao Paulo 05424 Brazil  
 Singapore 128461

