

Type SR5 Sanitary Pressure Regulator

- ✧ Sanitary Design Standards
- ✧ Superior Flow Performance and Accuracy
- ✧ Large Turndown Ratio
- ✧ Diaphragm Cycle Life
- ✧ Highly Stable
- ✧ Wide Control Range
- ✧ Tight Shutoff
- ✧ Easy Maintenance
- ✧ Covered Adjusting Screw
- ✧ Self-Draining
- ✧ Optional T-Handle Available
- ✧ Remote Setpoint Capability
- ✧ Nonporous Polished Body and Internals
- ✧ Optional Diaphragm Support

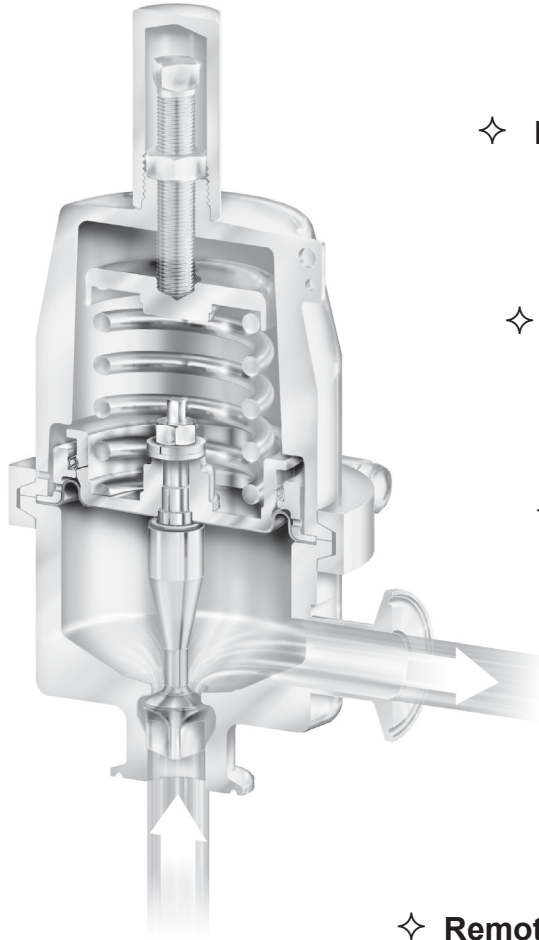


Figure 1. Type SR5

Type SR5

Specifications

The Specifications section on this page provides the ratings and other specifications for the Type SR5. The following information is stamped on the nameplate fastened on the regulator at the factory: type; body size; maximum inlet, outlet and differential pressure; maximum pressure above setpoint; maximum temperature; spring range; cage type; trim and diaphragm material.

Body Size, Inlet and Outlet Connection

1/2, 3/4, 1, 1-1/2, 2 and 3 in. /
15, 20, 25, 40, 50 and 80 mm

Service Media

1/2, 3/4, 1 and 1-1/2 x 1 in. / 15, 20, 25 and 40 x 25 mm: Steam, Gas and Liquid
1-1/2 in. / 40 mm full port: Steam and Gas only, Liquid not recommended
2 and 3 in. / 50 and 80 mm: Steam, Gas and Liquid

End Connection

Tri-Clamp® Sanitary connections⁽⁵⁾

Body Pressure/Temperature Ratings⁽¹⁾

MAXIMUM TEMPERATURE		MAXIMUM INLET		MAXIMUM OUTLET	
°F	°C	psig	bar	psig	bar
150	65	210	14.5	210	14.5
275	135	180	12.4	180	12.4
400	204	160	11	160	11

Maximum Operating Pressures⁽¹⁾⁽³⁾

See Table 1

Outlet Pressure Ranges

See Table 2

Maximum Differential Pressures⁽¹⁾

See Table 3

Regulator Temperature Capabilities⁽¹⁾

See Table 4

Pressure Registration

Internal

Options

Vacuum protection
Pressure Loaded spring case
T-handle adjusting screw

Pressure Loaded Spring Case Option

Maximum Loading Pressure

1/2 to 1 in. / 15 to 25 mm body size:
135 psig / 9.31 bar
1-1/2 in. / 40 mm body size:
100 psig / 6.90 bar
2 and 3 in. / 50 and 80 mm body size:
75 psig / 5.17 bar

1/4 NPT tapped vent connection

Vacuum Protection Option

Maximum vacuum pressure

14 psig / 0.96 bar vacuum

Certifications Available upon Request

FDA approved elastomers/plastics
Material and Functional Test Certificates
USP Class VI approved elastomers/plastics⁽²⁾
ADI free compliant elastomers/plastics⁽²⁾

Spring Case Construction

Drilled untapped vent hole (**standard**)
1/4 NPT for Pressure Load
Connection (optional)

Pressure Setting Adjustment

Adjusting screw with Electropolished
Cover (**standard**)
T-Handle adjusting screw (optional)

Shutoff Classification per ANSI / FCI 70-3-2003

Metal Seat: ANSI Class III
PTFE Soft Seat: ANSI Class VI
PEEK Soft Seat: ANSI Class VI (150 to 400°F / 65 to 204°C)⁽⁴⁾

Construction Materials

See Table 5

Flow Coefficients

See Table 6

Approximate Weight

1/2 and 3/4 in. / 15 and 20 mm: 9 lbs / 4 kg
1 and 1-1/2 in. / 25 and 40 mm: 18 lbs / 8 kg
2 and 3 in. / 50 and 80 mm: 60 lbs / 27 kg

1. The pressure/temperature limits in this bulletin and any applicable standard or code limitation should not be exceeded.
2. Contact your local Sales Office for details on available constructions.
3. Maximum pressure to prevent damage to internal parts and leakage to atmosphere.
4. PEEK Seat meets ANSI Class IV or better below 150°F / 65°C.
5. End connection clamps and gaskets to be supplied by the user.

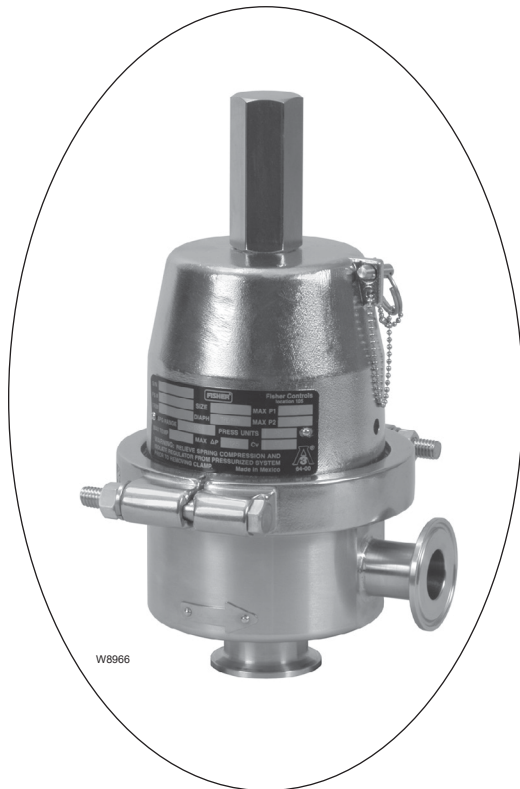


Figure 2. Type SR5

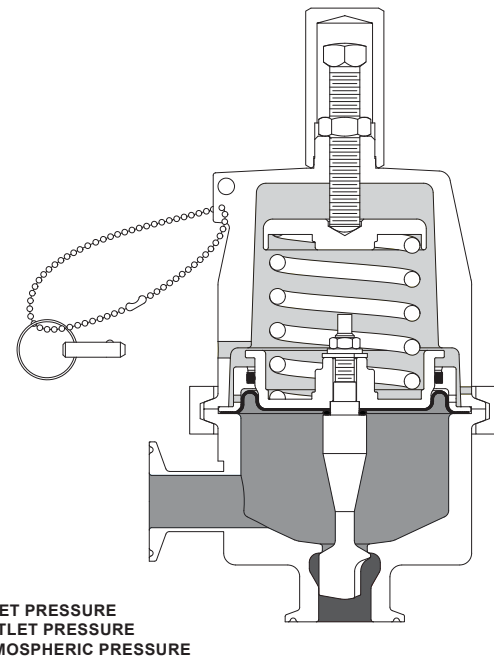


Figure 3. Type SR5 Operational Schematic

Introduction

The Type SR5 Regulator is a compact, large capacity, direct-operated pressure reducing regulator. It is designed for use in applications where a sanitary design is essential, such as pharmaceutical, biotech or food and beverage industries. The unit is available in 1/2 through 3 in. / DN 15 through 80 sizes with end connections that will match up to Tri-Clamp® sanitary fittings. The Type SR5 is suitable for use in steam, liquid or gas service.

Principle of Operation

The Type SR5 is a direct operated regulator. Pressure in the controlled system (regulator outlet pressure) registers beneath the diaphragm of the regulator and opposes the force provided by the predetermined spring compression. When regulator spring force exceeds diaphragm force exerted by the outlet pressure, the spring will keep the valve plug open to permit additional flow to the downstream system. As downstream demand decreases the outlet pressure will increase, this increase registers on the diaphragm and the valve plug moves closer to the orifice to decrease the flow rate.

Tri-Clamp® is a mark owned by Tri-Clover Incorporated.

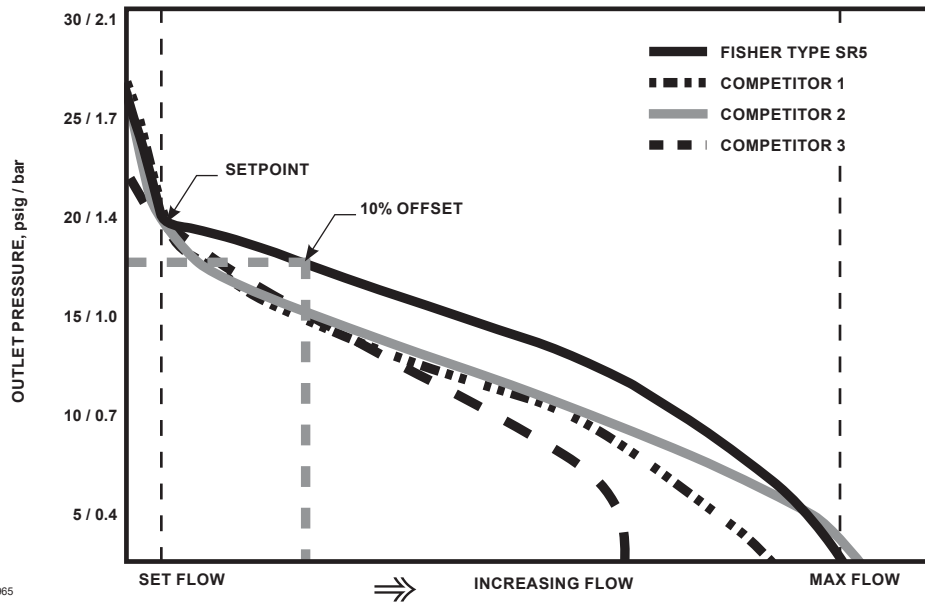


Figure 4. Type SR5 Performance Comparison

Features

- **Nonporous Polished Body and Internals for High Purity Processing**—Body, plug and diaphragm plate (when applicable) are machined from 316L Stainless steel. All internal wetted surfaces are mechanically polished and electropolished to 20 μin / 0.5 μm Ra.
- **Wide Control Range**—Typical set points range from 2 to 135 psig / 0.2 to 9.3 bar to cover a wide range of applications.
- **Large Turndown Ratio**—No need for reduced C_v trims at low flows.
- **Self-Draining**—Fluids will drain toward the inlet of the body when the regulator is installed with the spring case in the upright vertical position.
- **Clean in Place or Steam in Place**—The lock in place pin can be inserted in the side of the spring case to prevent the valve plug from closing during cleaning.
- **Tight Shutoff**—Soft seat available to ensure better shutoff and prevent excess pressure buildup in deadend applications.
- **Highly Stable**—The upper guide ring provides for stable control over entire operating range.
- **Superior Flow Performance and Accuracy**—The Type SR5 is designed to deliver high flows with minimal offset to maintain an even pressure over the full range of flow.
- **Easy Maintenance**—The design incorporates a metal-to-metal stop to protect diaphragms from damage due to over-compression at outer circumference. Tri-clamp[®] allows easy access to internal parts.
- **Optional Diaphragm Support**—A diaphragm support is added to the regulator for installations that will be exposed to vacuum conditions.
- **Diaphragm Cycle Life**—Metal 316L Stainless steel diaphragm is designed to maximize service life.
- **Covered Adjusting Screw**—Electropolished stainless steel adjusting screw cover improves the aesthetics and cleanability of the regulator.
- **Sanitary Design Standards**—Designed to meet ASME BPE and European Hygienic Equipment Design Group criteria.
- **Optional T-Handle Available**—T-Handle option available to accommodate frequent adjustments.
- **Remote Setpoint Capability**—An optional spring case configuration permits pressure loading. Loading pressure varied from a remote location adjusts the setpoint in direct proportion.

Tri-Clamp[®] is a mark owned by Tri-Clover Incorporated.

Table 1. Maximum Operating Pressures

BODY SIZE		MAXIMUM TEMPERATURE		MAXIMUM INLET PRESSURE		MAXIMUM OUTLET PRESSURE	
In.	mm	°F	°C	psig	bar	psig	bar
1/2 through 1-1/2	15 through 40	150	65	210	14.5	210	14.5
		275	135	180	12.4	180	12.4
		400	204	160	11	160	11
2 and 3	50 and 80	150	65	210	14.5	150	10.3
		275	135	180	12.4	125	8.62
		400	204	160	11	110	7.58

Table 2. Outlet Pressure Ranges and Control Spring Data

BODY SIZE		OUTLET PRESSURE RANGES		COLOR	WIRE DIAMETER		FREE LENGTH		PART NUMBER
In.	mm	psig	bar		In.	mm	In.	mm	
1/2 3/4	15 20	2 to 8 ⁽¹⁾	0.2 to 0.5 ⁽¹⁾	Blue	0.138	3.51	2.75	69.9	GE06780X012
		5 to 25	0.4 to 1.7	Silver	0.177	4.50	2.75	69.9	GE06781X012
		10 to 50	0.7 to 3.4	Green	0.192	4.88	2.75	69.9	GE06782X012
		25 to 90	1.7 to 6.2	Red	0.225	5.72	2.75	69.9	GE06783X012
		35 to 135	2.4 to 9.3	Red/ Yellow	0.225 0.148	5.72 3.76	2.75 2.75	69.9 69.9	GE06783X012/ GE06784X012
1 1-1/2 x 1	25 40 x 25	2 to 8 ⁽¹⁾	0.2 to 0.5 ⁽¹⁾	Blue	0.225	5.72	3.25	82.6	GE02763X012
		5 to 25	0.4 to 1.7	Silver	0.282	7.16	3.25	82.6	GE02764X012
		10 to 50	0.7 to 3.4	Green	0.331	8.41	3.25	82.6	GE02765X012
		25 to 90	1.7 to 6.2	Red	0.362	9.19	3.25	82.6	GE02766X012
		35 to 135	2.4 to 9.3	Red/ Yellow	0.362 0.250	9.19 6.35	3.25 3.25	82.6 82.6	GE02766X012/ GE06090X012
1-1/2 full port	40 full port	5 to 25	0.4 to 1.7	Silver	0.282	7.16	3.25	82.6	GE02764X012
		10 to 50	0.7 to 3.4	Green	0.331	8.41	3.25	82.6	GE02765X012
		25 to 75	1.7 to 5.2	Red	0.362	9.19	3.25	82.6	GE02766X012
		35 to 100	2.4 to 6.9	Green/ Yellow	0.331 0.250	8.41 6.35	3.25 3.25	82.6 82.6	GE02765X012/ GE06090X012
2 3	50 80	10 to 25	0.7 to 1.7	Silver	0.562	14.3	6.00	152.4	GE14003X012
		15 to 50	1.0 to 3.4	Green	0.625	15.9	6.00	152.4	GE14004X012
		25 to 75	1.7 to 5.2	Red	0.625	15.9	6.00	152.4	GE14005X012

1. The 2 to 8 psig / 0.2 to 0.5 bar spring is not available with the metal diaphragm.

Table 3. Maximum Differential Pressures

BODY SIZE		OUTLET PRESSURE RANGES		COLOR	MAXIMUM DIFFERENTIAL PRESSURE	
In.	mm	psig	bar		psid	bar d
1/2, 3/4, 1 and 1-1/2 x 1	15, 20, 25 and 40 x 25	2 to 8	0.2 to 0.5	Blue	50	3.4
		5 to 25	0.4 to 1.7	Silver	75	5.2
		10 to 50	0.7 to 3.4	Green	100	6.9
		25 to 90	1.7 to 6.2	Red	125	8.6
		35 to 135	2.4 to 9.3	Red/Yellow	125	8.6
1-1/2 full port	40 full port	5 to 25	0.4 to 1.7	Silver	75	5.2
		10 to 50	0.7 to 3.4	Green	100	6.9
		25 to 75	1.7 to 5.2	Red	125	8.6
		35 to 100	2.4 to 6.9	Green/Yellow	125	8.6
2 3	50 80	10 to 25	0.7 to 1.7	Silver	60	4.1
		15 to 50	1.0 to 3.4	Green	120	8.3
		25 to 75	1.7 to 5.2	Red	130	9.0

Type SR5

Table 4. Temperature Capabilities

SEAT TYPE	DIAPHRAGM MATERIAL	O-RING MATERIAL	TEMPERATURE RANGE	
			°F	°C
Metal (316L)	EPDM	EPDM	-20 to 275	-28 to 135
	316L Stainless steel	PTFE/FKM ⁽¹⁾	20 to 400	-6 to 204
	PTFE/FKM	PTFE/FKM	20 to 400	-6 to 204
Soft (PTFE/316L)	EPDM	EPDM	-20 to 150	-28 to 65
	316L Stainless steel	PTFE/FKM ⁽¹⁾	20 to 150	-6 to 65
	PTFE/FKM	PTFE/FKM	20 to 150	-6 to 65
Soft (PEEK/316L)	EPDM	EPDM	-20 to 275	-28 to 135
	316L Stainless steel	PTFE/FKM ⁽¹⁾	20 to 400	-6 to 204
	PTFE/FKM	PTFE/FKM	20 to 400	-6 to 204

1. O-ring material is PTFE for the 1/2 and 3/4 In. / 15 and 20 mm sizes. Temperature range is the same.

Table 5. Materials of Construction

PART	MATERIAL
Body	316L Stainless steel, 20 µm / 0.5 µm Ra with Electropolish
Spring Case	316 Stainless steel with Electropolish
Plug and Diaphragm Plate	316L Stainless steel 20 µm / 0.5 µm Ra with Electropolish
Soft Seat	Virgin PTFE or PEEK
Diaphragm	EPDM (FDA), Virgin PTFE coated Fluorocarbon (FKM) or 316L Stainless steel
Control Springs	Inconel or 302 Stainless steel
Guide Ring and Upper and Lower Spring Seats	300 Series Stainless steel
Adjusting Screw and Lock Nut	300 Series Stainless steel
Closing Cap	300 Series Stainless steel with Electropolish or Plastic
T-handle and Locking Lever	300 Series Stainless steel
O-rings	EPDM (FDA), Virgin PTFE encapsulated Fluorocarbon (FKM) or Virgin PTFE
Piston Ring	PTFE with 302 Stainless steel
Gaskets (Stainless steel diaphragm only)	Expanded Virgin PTFE
Bolted Clamp	304 Stainless steel with Brass or Stainless steel Nuts
Bead Chain and Ring Grip	300 Series Stainless steel

Table 6. Flow Coefficients

BODY SIZE		WIDE OPEN COEFFICIENTS (For Relief Valve Sizing)			C ₁	K _m	F _L	X _T	F _d
In.	mm	C _g	C _v	C _s					
1/2	15	39	1.3	1.9	29.8	0.73	0.85	0.56	0.47
3/4	20	82	2.7	4.1	31.1	0.87	0.93	0.61	0.36
1	25	223	6.4	11.2	34.9	0.87	0.93	0.77	0.43
1-1/2 x 1	40 x 25	231	6.9	11.6	33.5	0.87	0.93	0.71	0.43
1-1/2 full port	40 full port	457	12.4	22.9	36.9	0.87	0.93	0.86	0.34
2	50	929	29.5	46	31.5	0.78	0.88	0.63	0.32
3	80	1108	34.2	55	32.4	0.69	0.83	0.66	0.36

Capacity Data

The capacity information on the following pages is based on three offset factors, 10, 20 and 30 percent. Flow capacity at set point (set flow) was approximately 10% of maximum flow. Offset, or droop, is deviation from the setpoint of the regulator, and is usually stated in percentage of set point value. To evaluate the performance of a regulator, compare the stated capacities at equivalent operating pressures and offset factors. Comparing the wide open C_v does not consider the overall accuracy.

For example, refer to the air flow rate curve in Figure 4. The regulator is set for 20 psig / 1.4 bar at the outlet. Capacity at 10 percent offset is read at the intersection of a line projected horizontally to the right from the 18 psig / 1.2 bar outlet pressure point. The 18 psig / 1.2 bar is derived by applying the offset factor of 10 percent to the regulator setting of 20 psig / 1.4 bar.

For the most accurate control, use the lowest range spring that can be adjusted to the desired set point (See Table 2 for part numbers of appropriate springs for each body size). If closer control is necessary, a regulator of larger capacity should be selected, so that the necessary flow can be obtained with a smaller offset factor.

Sometimes it may be necessary to interpolate the capacity table data to determine capacity for outlet settings not given. To maintain accuracy, it is important when interpolating to stay within a spring range if possible. The following is a procedure for interpolating the data to calculate flow:

1. Determine which spring is to be used.
2. Find the two outlet settings (P_{2a} and P_{2b}) that bracket the actual outlet pressure P_2 .
3. For a given body size and inlet pressure, find the capacity Q_a for P_{2a} and Q_b for P_{2b} .
4. Use the following formula to determine the interpolated capacity (Q).

$$\frac{Q_b - Q_a}{P_{2b} - P_{2a}} = \frac{Q_b - Q}{P_{2b} - P_2}$$

Example:

$P_1 = 75$ psig
 1 in. Type SR5 with 5 to 25 psig spring range with elastomer diaphragm (Table 8)
 $P_2 = 20$ psig
 Determine air capacity, Q.

Solution:

$$\begin{aligned} Q_a &= 3067 \text{ SCFH} \\ Q_b &= 5546 \text{ SCFH} \\ P_{2a} &= 15 \text{ psig} \\ P_{2b} &= 25 \text{ psig} \end{aligned}$$

$$\frac{5546 - 3067}{25 - 15} = \frac{5546 - Q}{25 - 20}$$

$$Q = 4307 \text{ SCFH}$$

Note

The same interpolation procedure can be used for different inlet pressures.

An alternative method for interpolating capacities is to use the C_v as shown in Table 7. Contact your local Sales Office if you should have any questions about selecting the proper regulator.

Air Capacities

Regulating capacities at selected pressures and outlet pressure flows are given in Table 8. Capacities are provided in SCFH (60°F and 14.7 psia) of air at 60°F and normal cubic meters per hour at 0°C and 1.01325 bar. To determine the equivalent capacities for other gases, multiply the table capacities by 1.018 for nitrogen. For gases of other specific gravities, divide by the square root of the appropriate specific gravity.

To determine wide-open flow capacity for relief valve sizing of air at a temperature of 60°F, use one of the following equations:

For Critical Pressure Drops

Use this equation for critical pressure drops (absolute outlet pressure equal to one-half or less than one-half the absolute inlet pressure).

$$Q = P_{1(\text{abs})} \times C_g$$

where,

Q = Gas flow rate, SCFH (60°F and 14.7 psia)

$P_{1(\text{abs})}$ = Absolute inlet pressure, psia (add 14.7 psi to gauge inlet pressure to obtain absolute inlet pressure)

C_g = Wide-open sizing coefficient from Table 6

Type SR5

For Non-Critical Pressure Drops

For pressure drops lower than critical (absolute outlet pressure greater than one-half the absolute inlet pressure), use the following formula:

$$Q = \sqrt{\frac{520}{GT}} C_g P_1 \text{SIN} \left(\frac{3417}{C_1} \sqrt{\frac{\Delta P}{P_1}} \right) \text{DEG}$$

where,

- Q = Gas flow rate, SCFH (60°F and 14.7 psia)
- G = Specific gravity of the gas
- T = Absolute temperature of gas at inlet, °Rankine
- C_g = Wide-open sizing coefficient from Table 6
- P₁ = Absolute inlet pressure, psia (add 14.7 psi to gauge inlet pressure to obtain absolute inlet pressure)
- C₁ = Flow coefficient from Table 6
- ΔP = Pressure drop across the regulator, psi

To obtain capacities in normal cubic meters per hour at 0°C and 1.01325 bar, multiply the capacity determined in SCFH by 0.0268.

Steam Capacities

Capacities in Table 9 are in pounds per hour and kilograms per hour of saturated steam. To determine wide-open flow capacity for relief valve sizing of steam, use the equation for critical pressure drops (absolute outlet pressure equal to one-half or less than one-half absolute inlet pressure).

$$Q = P_{1(\text{abs})} \times C_s$$

where,

- Q = Flow, lb/hr
- P₁ = Absolute inlet pressure, psia (add 14.7 psi to gauge inlet pressure to obtain absolute inlet pressure)
- C_s = Wide-open sizing coefficient from Table 6

Water Capacities

All water capacities in Table 10 are in gallons per minute and liters per minute. Use the following equation to determine flow capacity for liquid relief valve sizing:

$$Q = C_v \sqrt{\frac{\Delta P}{G}}$$

where,

- Q = Flow, gpm
- P_{1(ABS)} = Absolute inlet pressure, psia (add 14.7 psi to gauge inlet pressure to obtain absolute inlet pressure)
- C_v = Wide-open sizing coefficient from Table 6
- G = Specific gravity of the fluid
- ΔP = Pressure drop across the regulator, psi

The K_m values listed in Table 6 can be used to predict choked flow on liquid service. See Fisher Catalog 10 for more information on liquid sizing. To convert capacities to liters per minute multiply gallons per minute by 3.785.

Installation

The Type SR5 regulator may be installed in any position, as long as flow will be in the same direction as that indicated by the body arrow. However, to ensure self-draining (from outlet to inlet) the regulator should be installed with the spring case in the upright vertical position. The regulator should be installed so that the spring case vent is protected from anything that might interfere with it.

Fisher™ provides an instruction manual with every regulator shipped. Refer to this for complete installation, operation and maintenance instructions. Included is a complete listing of individual parts and recommended spare parts.

Table 7. C_v Coefficients for 1/2 and 3/4 In. / 15 and 20 mm Body Sizes

SPRING RANGE, psig / bar	SET PRESSURE, psig / bar	INLET PRESSURE, psig / bar	C _v AT % DROOP																										
			1/2 In. / 15 mm Body Size						3/4 In. / 20 mm Body Size																				
			Elastomer Diaphragm			Metal Diaphragm			Elastomer Diaphragm			Metal Diaphragm																	
			10%	20%	30%	10%	20%	30%	10%	20%	30%	10%	20%	30%															
2 to 8 / 0.2 to 0.5	2 / 0.2	10 / 0.7	0.22	0.31	0.40	Not Available	Not Available	Not Available	Not Available	0.50	0.58	0.66	Not Available	Not Available	Not Available														
		25 / 1.7	0.20	0.27	0.30					0.34	0.39	0.45																	
		50 / 3.4	0.13	0.18	0.20					0.28	0.30	0.35																	
	5 / 0.4	10 / 0.7	0.39	0.57	0.71					Not Available	Not Available	Not Available				Not Available	0.83	1.04	1.41	Not Available	Not Available	Not Available							
		25 / 1.7	0.24	0.34	0.43												0.48	0.67	0.89										
		50 / 3.4	0.19	0.25	0.31												0.35	0.55	0.70										
	8 / 0.5	10 / 0.7	0.59	0.83	1.09												Not Available	Not Available	Not Available				Not Available	1.24	1.89	2.25	Not Available	Not Available	Not Available
		25 / 1.7	0.29	0.43	0.57																			0.55	0.90	1.22			
		50 / 3.4	0.24	0.33	0.40																			0.40	0.63	0.91			
5 to 25 / 0.4 to 1.7	5 / 0.4	25 / 1.7	0.25	0.34	0.43	0.21	0.27	0.33	0.50				0.69	0.89	0.43									0.56	0.70				
		50 / 3.4	0.19	0.24	0.29	0.16	0.21	0.25	0.46				0.59	0.72	0.39									0.48	0.56				
		75 / 5.2	0.16	0.20	0.23	0.14	0.18	0.21	0.45				0.54	0.65	0.37									0.45	0.50				
	15 / 1.1	25 / 1.7	0.51	0.76	0.90	0.31	0.48	0.63	0.94	1.49	2.11	0.66	0.92	1.19															
		50 / 3.4	0.34	0.47	0.58	0.24	0.36	0.45	0.66	1.01	1.39	0.51	0.71	0.90															
		75 / 5.2	0.29	0.38	0.45	0.23	0.32	0.38	0.58	0.86	1.14	0.47	0.65	0.81															
	25 / 1.7	35 / 2.4	0.67	0.90	1.07	0.37	0.60	0.80	1.37	2.22	2.70	0.59	0.92	1.23															
		50 / 3.4	0.48	0.66	0.81	0.30	0.47	0.62	0.95	1.62	2.05	0.53	0.81	1.10															
		75 / 5.2	0.38	0.51	0.62	0.27	0.40	0.50	0.71	1.24	1.58	0.54	0.77	1.04															
10 to 50 / 0.7 to 3.4	10 / 0.7	25 / 1.7	0.34	0.51	0.62	0.25	0.35	0.47	0.49	0.72	1.18	0.45	0.67	1.09															
		50 / 3.4	0.25	0.35	0.42	0.19	0.26	0.33	0.39	0.52	0.75	0.36	0.48	0.69															
		100 / 6.9	0.19	0.25	0.28	0.16	0.21	0.25	0.34	0.39	0.47	0.31	0.37	0.44															
	25 / 1.7	50 / 3.4	0.48	0.68	0.80	0.28	0.46	0.59	0.73	1.30	1.93	0.67	1.14	1.56															
		75 / 5.2	0.37	0.50	0.60	0.25	0.38	0.47	0.57	1.05	1.49	0.53	1.00	1.30															
		100 / 6.9	0.31	0.41	0.49	0.24	0.34	0.40	0.50	0.93	1.26	0.46	0.94	1.17															
	50 / 3.4	75 / 5.2	0.61	0.90	1.03	0.40	0.59	0.77	1.47	2.29	2.70	1.11	1.45	1.86															
		100 / 6.9	0.48	0.69	0.81	0.34	0.49	0.63	1.16	1.81	2.23	0.83	1.19	1.56															
		125 / 8.6	0.41	0.58	0.68	0.31	0.44	0.55	1.02	1.56	1.92	0.69	1.06	1.41															
25 to 90 / 1.7 to 6.2	25 / 1.7	50 / 3.4	0.40	0.61	0.72	0.31	0.45	0.55	0.91	1.33	1.77	0.45	0.90	0.97															
		100 / 6.9	0.28	0.39	0.45	0.24	0.31	0.37	0.68	0.95	1.22	0.46	0.73	0.88															
		125 / 8.6	0.25	0.34	0.39	0.22	0.28	0.33	0.64	0.87	1.10	0.46	0.70	0.86															
	50 / 3.4	75 / 5.2	0.58	0.81	0.98	0.40	0.57	0.72	1.27	1.87	2.47	0.79	1.24	1.71															
		100 / 6.9	0.45	0.64	0.77	0.33	0.47	0.58	1.03	1.53	2.03	0.73	1.12	1.50															
		125 / 8.6	0.39	0.55	0.65	0.30	0.42	0.50	0.92	1.36	1.79	0.72	1.07	1.39															
	150 / 10	150 / 10	0.35	0.49	0.57	0.28	0.38	0.45	0.86	1.25	1.62	0.72	1.04	1.32															
		100 / 6.9	0.66	0.91	1.09	0.41	0.63	0.80	1.64	2.47	2.70	0.98	1.45	1.93															
		125 / 8.6	0.53	0.74	0.90	0.36	0.54	0.68	1.33	2.00	2.37	0.86	1.30	1.73															
	75 / 5.2	150 / 10	0.47	0.64	0.78	0.34	0.49	0.61	1.17	1.74	2.07	0.82	1.23	1.62															
		175 / 12	0.43	0.58	0.70	0.33	0.46	0.56	1.08	1.58	1.92	0.80	1.20	1.55															
		100 / 6.9	0.84	1.08	1.12	0.52	0.76	0.96	2.16	2.70	2.70	1.42	2.00	2.57															
	90 / 6.2	125 / 8.6	0.59	0.83	0.93	0.39	0.60	0.78	1.54	2.14	2.49	1.06	1.61	2.12															
		150 / 10	0.50	0.71	0.83	0.36	0.53	0.68	1.31	1.88	2.30	0.94	1.45	1.89															
		175 / 12	0.46	0.64	0.77	0.34	0.49	0.62	1.19	1.92	2.52	0.88	1.35	1.75															
35 to 135 / 2.4 to 9.3	35 / 2.4	50 / 3.4	0.48	0.73	0.87	0.35	0.53	0.66	1.21	1.70	2.05	0.69	0.88	1.29															
		75 / 5.2	0.37	0.54	0.65	0.27	0.40	0.50	0.89	1.31	1.62	0.64	0.86	1.18															
		100 / 6.9	0.33	0.46	0.55	0.24	0.35	0.43	0.78	1.16	1.43	0.65	0.88	1.15															
		125 / 8.6	0.30	0.41	0.48	0.23	0.32	0.38	0.72	1.07	1.31	0.66	0.90	1.14															
	50 / 3.4	75 / 5.2	0.57	0.78	0.92	0.36	0.55	0.69	1.34	1.79	2.41	0.97	1.32	1.75															
		100 / 6.9	0.45	0.62	0.73	0.31	0.46	0.57	1.04	1.45	1.94	0.80	1.13	1.49															
		125 / 8.6	0.39	0.54	0.63	0.29	0.41	0.49	0.89	1.27	1.68	0.72	1.03	1.36															
		150 / 10	0.36	0.48	0.55	0.28	0.38	0.44	0.80	1.16	1.49	0.68	0.97	1.26															
	75 / 5.2	100 / 6.9	0.63	0.94	1.07	0.46	0.64	0.81	1.47	2.15	2.70	1.08	1.56	1.99															
		125 / 8.6	0.50	0.76	0.89	0.37	0.54	0.68	1.16	1.78	2.32	0.91	1.35	1.75															
		150 / 10	0.44	0.65	0.78	0.32	0.49	0.60	1.02	1.59	2.08	0.83	1.24	1.61															
		175 / 12	0.40	0.59	0.70	0.30	0.45	0.54	0.92	1.46	1.92	0.78	1.17	1.53															
	100 / 6.9	125 / 8.6	0.73	1.05	1.14	0.49	0.72	0.88	1.66	2.50	2.70	1.14	1.75	2.22															
		150 / 10	0.60	0.88	0.99	0.42	0.61	0.76	1.37	2.08	2.49	0.95	1.51	1.98															
		175 / 12	0.54	0.78	0.89	0.38	0.56	0.69	1.22	1.85	2.30	0.85	1.37	1.84															
200 / 14		0.50	0.72	0.83	0.36	0.52	0.63	1.13	1.69	2.15	0.80	1.29	1.75																
135 / 9.3	150 / 10	0.87	1.12	1.15	0.60	0.83	1.01	2.27	2.70	2.70	1.33	2.05	2.61																
	175 / 12	0.74	0.99	1.09	0.49	0.74	0.90	1.68	2.44	2.70	1.12	1.73	2.26																
	200 / 14	0.69	0.94	1.06	0.45	0.69	0.83	1.39	2.28	2.67	1.03	1.56	2.04																

Shaded areas indicate conditions where maximum differential pressure for the spring range is exceeded.

Type SR5

Table 7. C_v Coefficients for 1 and 1-1/2 x 1 In. / 25 and 40 x 25 mm Body Sizes (continued)

SPRING RANGE, psig / bar	SET PRESSURE, psig / bar	INLET PRESSURE, psig / bar	C _v AT % DROOP												
			1 In. / 25 mm Body Size						1-1/2 x 1 In. / 40 x 25 mm Body Size						
			Elastomer Diaphragm			Metal Diaphragm			Elastomer Diaphragm			Metal Diaphragm			
			10%	20%	30%	10%	20%	30%	10%	20%	30%	10%	20%	30%	
2 to 8 / 0.2 to 0.5	2 / 0.2	10 / 0.7	0.85	0.86	0.89	Not Available	Not Available	Not Available	Not Available	0.95	0.96	0.99	Not Available		
		25 / 1.7	0.77	0.93	0.95					0.88	1.06	1.08			
		50 / 3.4	0.78	1.03	1.03					0.89	1.17	1.18			
	5 / 0.4	10 / 0.7	1.00	1.03	2.11					1.11	1.14	2.35			
		25 / 1.7	0.69	0.87	1.43					0.78	0.99	1.61			
		50 / 3.4	0.62	0.88	1.21					0.70	1.01	1.38			
	8 / 0.5	10 / 0.7	3.00	3.54	3.52					3.31	3.92	3.90			
		25 / 1.7	1.57	1.78	1.83					1.76	2.00	2.07			
		50 / 3.4	1.33	1.34	1.34					1.52	1.53	1.53			
5 to 25 / 0.4 to 1.7	5 / 0.4	25 / 1.7	0.76	0.93	1.42	0.69	0.84	1.28	0.86	1.05	1.61	0.78	0.96	1.46	
		50 / 3.4	0.70	0.87	1.15	0.63	0.78	1.04	0.80	1.00	1.32	0.73	0.90	1.20	
		75 / 5.2	0.69	0.86	1.05	0.62	0.77	0.95	0.79	0.98	1.21	0.72	0.89	1.10	
	15 / 1.1	25 / 1.7	2.07	2.10	3.98	0.99	1.24	1.66	2.30	2.35	4.45	1.11	1.38	1.85	
		50 / 3.4	1.23	1.59	2.50	0.87	1.11	1.41	1.39	1.81	2.83	0.98	1.26	1.60	
		75 / 5.2	0.99	1.47	2.01	0.87	1.11	1.36	1.13	1.68	2.30	0.99	1.26	1.55	
	25 / 1.7	35 / 2.4	3.11	4.40	5.67	1.06	1.49	2.33	3.46	4.91	6.33	1.18	1.66	2.61	
		50 / 3.4	2.27	3.24	4.23	0.98	1.34	2.00	2.55	3.64	4.76	1.10	1.51	2.25	
		75 / 5.2	1.82	2.51	3.24	0.99	1.29	1.81	2.06	2.85	3.69	1.12	1.47	2.05	
10 to 50 / 0.7 to 3.4	10 / 0.7	25 / 1.7	1.30	1.92	2.91	0.93	0.98	1.21	1.45	2.15	3.27	1.04	1.10	1.36	
		50 / 3.4	1.07	1.50	2.06	0.86	0.96	1.15	1.21	1.71	2.34	0.97	1.10	1.31	
		100 / 6.9	0.98	1.30	1.59	0.85	1.00	1.15	1.12	1.49	1.82	0.98	1.14	1.31	
	25 / 1.7	50 / 3.4	2.13	3.52	4.60	1.03	1.26	1.81	2.39	3.96	5.18	1.15	1.41	2.04	
		75 / 5.2	1.79	2.76	3.58	1.00	1.24	1.68	2.02	3.14	4.07	1.13	1.41	1.91	
		100 / 6.9	1.64	2.41	3.08	1.00	1.25	1.63	1.87	2.75	3.52	1.14	1.43	1.86	
	50 / 3.4	75 / 5.2	3.64	5.53	6.40	1.52	2.28	3.31	4.06	6.19	6.90	1.69	2.56	3.72	
		100 / 6.9	2.95	4.38	5.16	1.25	1.88	2.70	3.32	4.95	5.83	1.40	2.12	3.06	
		125 / 8.6	2.64	3.80	4.65	1.13	1.68	2.38	2.98	4.32	5.28	1.28	1.90	2.70	
25 to 90 / 1.7 to 6.2	25 / 1.7	50 / 3.4	1.22	2.39	3.85	1.22	1.76	2.44	1.37	2.69	4.34	1.37	1.98	2.75	
		100 / 6.9	1.36	1.95	2.75	1.07	1.44	1.99	1.55	2.23	3.14	1.22	1.64	2.28	
		125 / 8.6	1.41	1.88	2.53	1.05	1.39	1.91	1.61	2.15	2.90	1.21	1.59	2.19	
	50 / 3.4	75 / 5.2	3.18	4.70	6.09	1.69	2.83	4.52	3.55	5.26	6.84	1.89	3.17	5.08	
		100 / 6.9	2.54	3.79	4.91	1.37	2.33	3.59	2.85	4.27	5.55	1.54	2.62	4.06	
		125 / 8.6	2.24	3.33	4.27	1.23	2.08	3.07	2.54	3.78	4.86	1.39	2.36	3.50	
	75 / 5.2	150 / 10	2.06	3.05	3.86	1.15	1.92	2.74	2.35	3.47	4.41	1.30	2.19	3.13	
		100 / 6.9	3.75	5.47	6.31	1.96	3.18	4.72	4.17	6.10	6.90	2.19	3.55	5.29	
		125 / 8.6	3.06	4.61	5.49	1.73	2.77	4.04	3.43	5.18	6.19	1.94	3.11	4.55	
	90 / 6.2	150 / 10	2.74	4.17	5.03	1.64	2.56	3.65	3.08	4.71	5.70	1.85	2.89	4.14	
		175 / 12	2.55	3.89	4.74	1.60	2.44	3.40	2.88	4.41	5.39	1.81	2.77	3.87	
		100 / 6.9	4.96	6.17	6.40	2.60	3.98	5.51	5.49	6.85	6.90	2.88	4.42	6.15	
	35 to 135 / 2.4 to 9.3	35 / 2.4	125 / 8.6	3.66	5.06	5.75	1.92	3.19	4.52	4.08	5.66	6.45	2.14	3.57	5.08
			150 / 10	3.22	4.61	5.39	1.69	2.85	4.02	3.61	5.18	6.08	1.89	3.21	4.54
			175 / 12	2.99	4.37	5.19	1.57	2.66	3.71	3.37	4.93	5.88	1.77	3.01	4.20
35 to 135 / 2.4 to 9.3	50 / 3.4	50 / 3.4	2.07	3.14	4.37	1.86	2.88	3.70	2.31	3.51	4.89	2.10	3.21	4.14	
		75 / 5.2	1.71	2.57	3.49	1.56	2.20	2.92	1.93	2.90	3.95	1.75	2.48	3.30	
		100 / 6.9	1.62	2.37	3.13	1.38	1.93	2.60	1.83	2.69	3.56	1.56	2.19	2.96	
	50 / 3.4	125 / 8.6	1.58	2.27	2.92	1.28	1.79	2.41	1.80	2.59	3.34	1.46	2.04	2.76	
		75 / 5.2	3.03	4.08	5.01	1.76	2.63	3.63	3.38	4.57	5.63	1.97	2.94	4.08	
		100 / 6.9	2.30	3.33	4.17	1.54	2.27	3.08	2.59	3.75	4.71	1.74	2.56	3.48	
	75 / 5.2	125 / 8.6	1.96	2.95	3.72	1.46	2.10	2.79	2.21	3.35	4.23	1.65	2.38	3.17	
		150 / 10	1.74	2.72	3.44	1.42	2.01	2.61	1.98	3.10	3.93	1.61	2.28	2.98	
		100 / 6.9	3.44	5.26	6.30	1.61	2.64	4.07	3.82	5.88	6.90	1.80	2.95	4.56	
100 / 6.9	125 / 8.6	2.85	4.37	5.44	1.59	2.51	3.71	3.20	4.91	6.14	1.78	2.82	4.19		
	150 / 10	2.59	3.90	4.96	1.62	2.48	3.53	2.92	4.40	5.62	1.83	2.80	4.00		
	175 / 12	2.44	3.60	4.65	1.66	2.48	3.43	2.76	4.08	5.29	1.88	2.81	3.90		
	125 / 8.6	3.85	5.92	6.40	2.25	3.45	4.62	4.28	6.60	6.90	2.50	3.84	5.17		
	150 / 10	3.15	5.02	6.18	1.94	3.08	4.19	3.52	5.63	6.90	2.17	3.45	4.71		
	175 / 12	2.81	4.53	5.75	1.80	2.90	3.94	3.15	5.10	6.50	2.02	3.26	4.46		
135 / 9.3	200 / 14	2.60	4.21		1.73	2.79		2.93	4.76		1.95	3.15			
	150 / 10	2.65	6.40	6.40	2.38	4.38	5.69	2.93	6.90	6.90	2.67	4.87	6.36		
	175 / 12	3.40	6.08	6.40	2.43	3.86	5.27	3.78	6.79	6.90	2.70	4.32	5.91		
		200 / 14	3.96	5.84	6.40	2.20	3.61	5.05	4.43	6.55	6.90	2.46	4.05	5.68	

Shaded areas indicate conditions where maximum differential pressure for the spring range is exceeded.

Table 7. C_v Coefficients for 1-1/2 In. / 40 mm Body Size (continued)

SPRING RANGE, psig / bar	SET PRESSURE, psig / bar	INLET PRESSURE, psig / bar	C _v AT % DROOP					
			1-1/2 In. / 40 mm Body Size with Full Port					
			Elastomer Diaphragm			Metal Diaphragm		
			10%	20%	30%	10%	20%	30%
5 to 25 / 0.4 to 1.7	5 / 0.4	25 / 1.7	0.59	1.02	1.24	1.36	1.38	1.40
		50 / 3.4	1.98	2.37	2.77	1.45	1.61	1.89
		75 / 5.2	1.86	2.10	2.39	1.51	1.72	2.12
	15 / 1.0	25 / 1.7	2.02	4.37	6.40	1.94	2.33	3.27
		50 / 3.4	2.23	3.42	4.60	1.76	2.21	2.97
		75 / 5.2	2.39	3.20	4.07	1.77	2.25	2.95
	25 / 1.7	25 / 1.7	3.48	6.14	7.55	1.80	2.47	4.08
		50 / 3.4	3.21	5.12	6.52	1.72	2.38	3.67
		75 / 5.2	3.21	4.60	5.94	1.77	2.44	3.48
10 to 50 / 0.7 to 3.4	10 / 0.7	25 / 1.7	1.50	2.14	3.22	1.52	2.16	3.27
		50 / 3.4	1.53	2.02	2.63	1.57	2.07	2.71
		100 / 6.9	1.57	2.01	2.45	1.63	2.08	2.54
	25 / 1.7	50 / 3.4	2.32	4.24	6.05	2.14	3.36	4.74
		75 / 5.2	2.35	3.65	4.94	1.94	2.91	4.07
		100 / 6.9	2.40	3.40	4.42	1.88	2.72	3.77
	50 / 3.4	75 / 5.2	6.00	9.26	11.53	3.35	5.09	6.76
		100 / 6.9	4.53	7.23	8.86	3.17	4.73	6.02
		125 / 8.6	3.84	6.21	7.41	3.15	4.60	5.65
25 to 75 / 1.7 to 5.2	25 / 1.7	50 / 3.4	3.78	4.97	6.67	2.47	4.43	5.47
		100 / 6.9	3.33	4.60	5.46	2.11	2.95	3.77
		125 / 8.6	3.28	4.57	5.25	2.06	2.67	3.43
	50 / 3.4	75 / 5.2	4.90	7.21	9.10	3.31	5.16	6.33
		100 / 6.9	3.88	6.03	7.45	2.40	4.12	5.24
		125 / 8.6	3.41	5.46	6.58	1.96	3.59	4.66
	75 / 5.2	150 / 10	3.13	5.12	6.03	1.68	3.27	4.30
		100 / 6.9	5.24	7.06	9.84	4.33	5.65	7.52
		125 / 8.6	4.83	6.52	8.70	3.58	5.00	6.62
35 to 100 / 2.4 to 6.9	35 / 2.4	150 / 10	4.72	6.30	8.09	3.23	4.69	6.12
		175 / 12	4.68	6.19	7.70	3.03	4.51	5.80
		50 / 3.4	3.51	5.27	7.12	3.53	4.57	6.02
	50 / 3.4	75 / 5.2	2.74	4.14	5.57	2.79	3.53	4.67
		100 / 6.9	2.50	3.72	4.92	2.56	3.13	4.11
		125 / 8.6	2.38	3.49	4.56	2.45	2.91	3.78
	50 / 3.4	75 / 5.2	4.88	6.88	8.31	2.90	3.97	5.58
		100 / 6.9	3.70	5.45	6.74	2.26	3.27	4.61
		125 / 8.6	3.14	4.74	5.91	1.97	2.92	4.10
75 / 5.2	150 / 10	2.80	4.29	5.38	1.79	2.71	3.78	
	100 / 6.9	5.88	8.19	10.19	3.09	4.76	6.70	
	125 / 8.6	4.56	6.46	8.37	2.72	4.38	6.01	
75 / 5.2	150 / 10	3.91	5.52	7.33	2.58	4.23	5.65	
	175 / 12	3.52	4.91	6.64	2.50	4.15	5.43	
	125 / 8.6	4.56	7.66	10.59	4.41	6.37	8.21	
100 / 6.9	150 / 10	4.89	6.96	9.55	3.82	5.63	7.28	
	175 / 12	5.20	6.62	8.96	3.57	5.25	6.74	
	200 / 14	5.46	6.42		3.43	5.03		

Shaded areas indicate conditions where maximum differential pressure for the spring range is exceeded.

Type SR5

Table 7. C_v Coefficients for 2 In. / 50 mm Body Size (continued)

SPRING RANGE, psig / bar	SET PRESSURE, psig / bar	INLET PRESSURE, psig / bar	C _v AT % DROOP						
			2 In. / 50 mm Body Size						
			Elastomer Diaphragm			Metal Diaphragm			
			10%	20%	30%	10%	20%	30%	
10 to 25 / 0.7 to 1.7	10 / 0.7	25 / 1.7	7.97	11.12	15.04	6.71	9.41	11.05	
		50 / 3.4	7.27	8.67	12.17	5.41	7.28	8.75	
	15 / 1.0	25 / 1.7	10.97	15.05	20.61	7.51	10.76	14.75	
		50 / 3.4	7.30	11.44	15.60	6.17	8.15	11.08	
	25 / 1.7	50 / 3.4	10.15	17.09	22.48	7.64	10.47	15.10	
		75 / 5.2	8.58	13.70	17.79	6.06	9.29	12.55	
15 to 50 / 1.0 to 3.4	15 / 1.0	25 / 1.7	9.90	12.94	17.79	7.42	10.20	12.55	
		50 / 3.4	7.12	9.44	13.05	5.80	7.57	9.75	
		75 / 5.2	6.15	8.18	10.62	5.36	6.66	8.65	
		100 / 6.9	5.47	7.31	9.10	5.02	6.03	7.85	
		125 / 8.6	4.95	6.63	8.24	4.72	5.55	7.22	
	25 / 1.7	50 / 3.4	7.70	14.67	18.37	7.12	9.86	13.81	
		75 / 5.2	7.15	12.16	15.52	6.06	8.91	12.00	
		100 / 6.9	6.69	10.71	13.65	5.37	8.19	10.56	
		125 / 8.6	6.15	9.59	12.14	4.81	7.54	9.37	
	50 / 3.4	75 / 5.2	12.15	19.35	24.67	8.06	13.57	19.05	
		100 / 6.9	11.40	17.07	21.17	7.85	12.84	16.94	
		125 / 8.6	10.41	15.11	18.78	7.36	11.79	15.27	
		150 / 10	9.45	13.45	16.90	6.86	10.72	13.87	
	25 to 75 / 1.7 to 5.2	25 / 1.7	50 / 3.4	8.87	13.48	16.78	6.70	8.94	12.52
			75 / 5.2	7.06	11.43	14.81	6.19	8.32	11.08
100 / 6.9			6.88	10.37	12.95	5.52	7.91	10.15	
125 / 8.6			6.51	9.53	11.31	4.88	7.41	9.33	
150 / 10			5.78	8.75	10.03	4.40	6.87	8.59	
50 / 3.4		75 / 5.2	11.63	18.55	23.38	7.80	13.00	18.36	
		100 / 6.9	9.07	15.54	19.89	7.39	11.79	16.15	
		125 / 8.6	8.64	14.03	18.04	7.08	10.94	14.62	
		150 / 10	8.60	12.95	16.63	6.77	10.22	13.41	
		175 / 12	8.38	12.01	15.26	6.46	9.60	12.49	
75 / 5.2		100 / 6.9	14.25	20.63	24.79	10.23	17.45	23.33	
		125 / 8.6	11.53	18.18	22.23	8.94	14.73	20.52	
		150 / 10	10.35	16.27	20.45	8.11	13.66	18.94	
		175 / 12	9.74	14.90	18.89	7.69	12.90	17.53	

Table 7. C_v Coefficients for 3 In. / 80 mm Body Size (continued)

SPRING RANGE, psig / bar	SET PRESSURE, psig / bar	INLET PRESSURE, psig / bar	C _v AT % DROOP					
			3 In. / 80 mm Body Size					
			Elastomer Diaphragm			Metal Diaphragm		
			10%	20%	30%	10%	20%	30%
10 to 25 / 0.7 to 1.7	10 / 0.7	25 / 1.7	8.43	12.71	17.90	6.27	8.80	10.95
		50 / 3.4	6.93	10.49	14.69	4.68	7.09	8.36
	15 / 1.0	25 / 1.7	10.67	16.78	24.05	7.28	10.12	14.69
		50 / 3.4	9.26	14.70	19.36	5.90	7.72	11.36
	25 / 1.7	50 / 3.4	13.92	21.21	25.93	7.51	10.34	15.45
		75 / 5.2	9.70	17.12	21.37	6.06	9.99	14.30
15 to 50 / 1.0 to 3.4	15 / 1.0	25 / 1.7	10.53	14.23	18.72	6.48	9.43	12.40
		50 / 3.4	7.14	10.68	15.02	5.73	7.79	10.59
		75 / 5.2	6.68	10.00	12.99	5.49	7.29	9.87
		100 / 6.9	6.61	9.75	11.63	5.19	6.86	9.23
		125 / 8.6	6.53	9.49	10.84	4.88	6.46	8.64
	25 / 1.7	50 / 3.4	9.50	16.34	21.67	7.70	9.87	13.71
		75 / 5.2	8.80	14.00	18.77	6.30	9.15	13.30
		100 / 6.9	7.82	12.62	16.66	5.66	8.88	12.49
		125 / 8.6	7.02	11.24	14.95	5.31	8.64	11.59
	50 / 3.4	75 / 5.2	15.49	22.85	28.52	7.82	13.73	19.79
		100 / 6.9	12.66	20.10	25.01	7.68	12.79	18.92
		125 / 8.6	11.51	18.19	23.26	7.28	12.06	17.63
		150 / 10	10.81	16.67	21.45	6.87	11.46	16.30
		175 / 12	10.11	15.32	20.11	6.47	10.86	15.01
	25 to 75 / 1.7 to 5.2	25 / 1.7	50 / 3.4	8.93	15.32	21.23	7.25	10.80
75 / 5.2			7.29	12.62	17.15	5.96	9.48	13.02
100 / 6.9			7.12	11.51	15.13	5.34	8.80	11.95
125 / 8.6			7.33	10.85	13.83	5.07	8.32	11.08
150 / 10			7.28	10.31	12.86	4.97	7.96	10.37
50 / 3.4		75 / 5.2	13.39	20.76	26.00	7.72	13.23	18.78
		100 / 6.9	11.10	18.55	24.11	7.71	11.82	17.60
		125 / 8.6	10.99	17.03	22.02	7.21	11.43	16.56
		150 / 10	10.38	15.91	20.19	6.69	11.26	15.57
		175 / 12	9.69	15.17	18.93	6.40	11.02	14.75
75 / 5.2		100 / 6.9	14.97	21.94	28.10	8.91	15.33	22.96
		125 / 8.6	12.68	21.25	26.29	8.42	14.21	21.98
		150 / 10	11.63	20.26	24.93	7.85	13.33	20.53
		175 / 12	11.00	18.91	23.64	7.99	12.88	18.61
		190 / 13.5	10.41	17.62	22.35	7.50	12.45	17.66

Type SR5

Table 8. Air Capacities for 1/2 In. / 15 mm Body Sizes

SPRING RANGE, psig / bar	SET PRESSURE, psig / bar	INLET PRESSURE, psig / bar	CAPACITIES IN SCFH / Nm ³ /h OF AIR AT % DROOP						
			1/2 In. / 15 mm Body Size						
			Elastomer Diaphragm			Metal Diaphragm			
			10%	20%	30%	10%	20%	30%	
2 to 8 / 0.2 to 0.5	2 / 0.2	10 / 0.7	150 / 4.0	210 / 5.6	280 / 7.5	Not Available			
		25 / 1.7	230 / 6.2	320 / 8.6	350 / 9.4				
		50 / 3.4	250 / 6.7	340 / 9.1	380 / 10				
	5 / 0.4	10 / 0.7	230 / 6.2	350 / 9.4	450 / 12				
		25 / 1.7	280 / 7.5	400 / 11	500 / 13				
		50 / 3.4	370 / 9.9	470 / 13	590 / 16				
	8 / 0.5	10 / 0.7	270 / 7.2	420 / 11	600 / 16				
		25 / 1.7	340 / 9.1	500 / 13	660 / 18				
		50 / 3.4	450 / 12	630 / 17	770 / 21				
5 to 25 / 0.4 to 1.7	5 / 0.4	25 / 1.7	290 / 7.8	400 / 11	500 / 13	250 / 6.7	310 / 8.3	390 / 10	
		50 / 3.4	360 / 9.6	460 / 12	560 / 15	320 / 8.6	400 / 11	480 / 13	
		75 / 5.2	430 / 11	520 / 14	610 / 16	380 / 10	480 / 13	560 / 15	
	15 / 1.1	25 / 1.7	530 / 14	820 / 22	1000 / 27	320 / 8.6	520 / 14	700 / 19	
		50 / 3.4	660 / 18	910 / 24	1100 / 30	470 / 13	680 / 18	850 / 23	
		75 / 5.2	780 / 21	1000 / 27	1210 / 32	610 / 16	840 / 23	1010 / 27	
	25 / 1.7	35 / 2.4	840 / 22	1200 / 32	1480 / 40	460 / 12	800 / 21	1100 / 29	
		50 / 3.4	900 / 24	1260 / 34	1540 / 41	560 / 15	900 / 24	1190 / 32	
		75 / 5.2	1000 / 27	1350 / 36	1650 / 44	730 / 20	1060 / 28	1330 / 36	
10 to 50 / 0.7 to 3.4	10 / 0.7	25 / 1.7	380 / 10	580 / 15	720 / 19	280 / 7.5	400 / 11	540 / 14	
		50 / 3.4	470 / 13	670 / 18	800 / 21	370 / 9.9	500 / 13	640 / 17	
		100 / 6.9	650 / 17	850 / 23	950 / 25	550 / 15	700 / 19	840 / 22	
	25 / 1.7	50 / 3.4	900 / 24	1280 / 34	1520 / 41	520 / 14	870 / 23	1130 / 30	
		75 / 5.2	980 / 26	1340 / 36	1600 / 43	670 / 18	1010 / 27	1250 / 33	
		100 / 6.9	1070 / 29	1390 / 37	1670 / 45	820 / 22	1140 / 31	1360 / 36	
	50 / 3.4	75 / 5.2	1500 / 40	2300 / 62	2700 / 72	1000 / 27	1520 / 41	2000 / 54	
		100 / 6.9	1610 / 43	2360 / 63	2770 / 74	1130 / 30	1680 / 45	2130 / 57	
		125 / 8.6	1720 / 46	2420 / 65	2830 / 76	1270 / 34	1840 / 49	2270 / 61	
25 to 90 / 1.7 to 6.2	25 / 1.7	50 / 3.4	750 / 20	1150 / 31	1370 / 37	580 / 15	850 / 23	1050 / 28	
		100 / 6.9	950 / 25	1310 / 35	1550 / 41	800 / 21	1050 / 28	1250 / 33	
		125 / 8.6	1050 / 28	1390 / 37	1630 / 44	910 / 24	1150 / 31	1350 / 36	
	50 / 3.4	75 / 5.2	1430 / 38	2080 / 56	2550 / 68	1000 / 27	1460 / 39	1880 / 50	
		100 / 6.9	1520 / 41	2180 / 58	2630 / 70	1130 / 30	1600 / 43	1990 / 53	
		125 / 8.6	1620 / 43	2280 / 61	2700 / 72	1250 / 33	1730 / 46	2090 / 56	
	75 / 5.2	150 / 10	1710 / 46	2380 / 64	2780 / 74	1380 / 37	1870 / 50	2200 / 59	
		100 / 6.9	2000 / 54	2900 / 78	3600 / 96	1250 / 33	2000 / 54	2650 / 71	
		125 / 8.6	2150 / 58	3020 / 81	3710 / 99	1450 / 39	2200 / 59	2810 / 75	
	90 / 6.2	150 / 10	2300 / 62	3140 / 84	3830 / 103	1650 / 44	2400 / 64	2980 / 80	
		175 / 12	2450 / 66	3250 / 87	3940 / 106	1850 / 50	2600 / 70	3140 / 84	
		100 / 6.9	2100 / 56	3100 / 83	3500 / 94	1300 / 35	2200 / 59	3000 / 80	
	35 to 135 / 2.4 to 9.3	35 / 2.4	125 / 8.6	2250 / 60	3270 / 88	3770 / 101	1500 / 40	2400 / 64	3160 / 85
			150 / 10	2400 / 64	3450 / 92	4040 / 108	1690 / 45	2590 / 69	3330 / 89
			175 / 12	2560 / 69	3620 / 97	4320 / 116	1890 / 51	2790 / 75	3490 / 94
35 to 135 / 2.4 to 9.3	50 / 3.4	50 / 3.4	820 / 22	1300 / 35	1600 / 43	600 / 16	940 / 25	1220 / 33	
		75 / 5.2	970 / 26	1440 / 39	1730 / 46	710 / 19	1060 / 28	1340 / 36	
		100 / 6.9	1110 / 30	1580 / 42	1860 / 50	830 / 22	1190 / 32	1460 / 39	
		125 / 8.6	1260 / 34	1710 / 46	1990 / 53	940 / 25	1310 / 35	1580 / 42	
	75 / 5.2	75 / 5.2	1400 / 37	2000 / 54	2400 / 64	900 / 24	1400 / 37	1800 / 48	
		100 / 6.9	1510 / 40	2110 / 57	2500 / 67	1050 / 28	1550 / 41	1930 / 52	
		125 / 8.6	1630 / 44	2230 / 60	2600 / 70	1200 / 32	1700 / 46	2050 / 55	
		150 / 10	1740 / 47	2340 / 63	2700 / 72	1350 / 36	1850 / 50	2180 / 58	
	100 / 6.9	100 / 6.9	1900 / 51	3000 / 80	3550 / 95	1400 / 37	2050 / 55	2680 / 72	
		125 / 8.6	2030 / 54	3100 / 83	3680 / 99	1490 / 40	2210 / 59	2810 / 75	
		150 / 10	2150 / 58	3200 / 86	3800 / 102	1580 / 42	2380 / 64	2940 / 79	
		175 / 12	2280 / 61	3300 / 88	3930 / 105	1660 / 44	2540 / 68	3070 / 82	
135 / 9.3	125 / 8.6	2600 / 70	4000 / 107	4550 / 122	1750 / 47	2750 / 74	3500 / 94		
	150 / 10	2800 / 75	4200 / 113	4780 / 128	1930 / 52	2930 / 79	3700 / 99		
	175 / 12	3000 / 80	4400 / 118	5020 / 135	2120 / 57	3120 / 84	3900 / 105		
	200 / 14	3200 / 86	4600 / 123	5250 / 141	2300 / 62	3300 / 88	4100 / 111		
135 / 9.3	150 / 10	3200 / 86	4700 / 126	5250 / 141	2200 / 59	3500 / 94	4600 / 123		
	175 / 12	3700 / 99	5280 / 142	6000 / 161	2450 / 66	3900 / 105	4930 / 132		
	200 / 14	4200 / 113	5850 / 157	6750 / 181	2700 / 72	4300 / 115	5250 / 141		

Shaded areas indicate conditions where maximum differential pressure for the spring range is exceeded.

Table 8. Air Capacities for 3/4 In. / 20 mm Body Size (continued)

SPRING RANGE, psig / bar	SET PRESSURE, psig / bar	INLET PRESSURE, psig / bar	CAPACITIES IN SCFH / Nm ³ /h OF AIR AT % DROOP					
			3/4 In. / 20 mm Body Size					
			Elastomer Diaphragm			Metal Diaphragm		
			10%	20%	30%	10%	20%	30%
2 to 8 / 0.2 to 0.5	2 / 0.2	10 / 0.7	340 / 9.1	400 / 11	460 / 12	Not Available		
		25 / 1.7	420 / 11	480 / 13	550 / 15			
		50 / 3.4	550 / 15	600 / 16	700 / 19			
	5 / 0.4	10 / 0.7	500 / 13	650 / 17	900 / 24			
		25 / 1.7	580 / 16	820 / 22	1090 / 29			
		50 / 3.4	700 / 19	1100 / 29	1400 / 37			
	8 / 0.5	10 / 0.7	570 / 15	970 / 26	1250 / 33			
		25 / 1.7	660 / 18	1080 / 29	1460 / 39			
		50 / 3.4	800 / 21	1250 / 33	1820 / 49			
5 to 25 / 0.4 to 1.7	5 / 0.4	25 / 1.7	600 / 16	840 / 22	1080 / 29	520 / 14	680 / 18	850 / 23
		50 / 3.4	930 / 25	1170 / 31	1440 / 39	780 / 21	970 / 26	1130 / 30
		75 / 5.2	1250 / 33	1500 / 40	1800 / 48	1040 / 28	1250 / 33	1400 / 37
	15 / 1.1	25 / 1.7	1000 / 27	1650 / 44	2400 / 64	700 / 19	1020 / 27	1350 / 36
		50 / 3.4	1310 / 35	2020 / 54	2780 / 75	1010 / 27	1420 / 38	1790 / 48
		75 / 5.2	1620 / 43	2380 / 64	3170 / 85	1320 / 35	1810 / 49	2230 / 60
	25 / 1.7	35 / 2.4	1750 / 47	3000 / 80	3850 / 103	750 / 20	1240 / 33	1730 / 46
		50 / 3.4	1830 / 49	3160 / 85	4050 / 109	1030 / 28	1580 / 42	2160 / 58
		75 / 5.2	1970 / 53	3430 / 92	4370 / 117	1490 / 40	2140 / 57	2880 / 77
10 to 50 / 0.7 to 3.4	10 / 0.7	25 / 1.7	570 / 15	850 / 23	1400 / 37	530 / 14	790 / 21	1300 / 35
		50 / 3.4	780 / 21	1030 / 28	1490 / 40	720 / 19	960 / 26	1380 / 37
		100 / 6.9	1200 / 32	1400 / 37	1670 / 49	1110 / 30	1300 / 35	1550 / 42
	25 / 1.7	50 / 3.4	1400 / 37	2540 / 68	3800 / 102	1300 / 35	2230 / 60	3080 / 82
		75 / 5.2	1590 / 43	2910 / 78	4130 / 111	1470 / 39	2790 / 75	3620 / 97
		100 / 6.9	1780 / 48	3290 / 88	4470 / 120	1650 / 44	3340 / 90	4160 / 111
	50 / 3.4	75 / 5.2	3700 / 99	6000 / 161	7500 / 201	2800 / 75	3800 / 102	5000 / 134
		100 / 6.9	4050 / 109	6370 / 171	7910 / 212	2900 / 78	4190 / 112	5540 / 149
		125 / 8.6	4400 / 118	6730 / 180	8310 / 223	3000 / 80	4570 / 122	6090 / 163
25 to 90 / 1.7 to 6.2	25 / 1.7	50 / 3.4	1750 / 47	2600 / 70	3500 / 94	860 / 23	1750 / 47	1920 / 51
		100 / 6.9	2430 / 65	3380 / 90	4340 / 116	1620 / 43	2600 / 70	3120 / 84
		125 / 8.6	2760 / 74	3760 / 101	4760 / 128	2000 / 54	3030 / 81	3720 / 100
	50 / 3.4	75 / 5.2	3200 / 86	4900 / 131	6660 / 178	2000 / 54	3260 / 87	4600 / 123
		100 / 6.9	3590 / 96	5400 / 145	7200 / 193	2550 / 68	3950 / 106	5310 / 142
		125 / 8.6	3980 / 107	5900 / 158	7730 / 207	3100 / 83	4640 / 124	6020 / 161
	75 / 5.2	150 / 10	4370 / 117	6400 / 172	8270 / 222	3650 / 98	5330 / 143	6720 / 180
		100 / 6.9	5040 / 135	8060 / 216	9770 / 262	3000 / 80	4720 / 126	6560 / 176
		125 / 8.6	5480 / 147	8460 / 227	10,150 / 272	3570 / 96	5490 / 147	7420 / 199
	90 / 6.2	150 / 10	5920 / 159	8870 / 238	10,540 / 282	4150 / 111	6260 / 168	8280 / 222
		175 / 12	6360 / 170	9270 / 248	11,300 / 303	4720 / 126	7030 / 188	9140 / 245
		100 / 6.9	5450 / 146	7980 / 214	9240 / 248	3600 / 96	5850 / 157	8210 / 220
	35 / 2.4	125 / 8.6	5940 / 159	8690 / 233	10,450 / 280	4100 / 110	6540 / 175	8900 / 239
		150 / 10	6430 / 172	9400 / 252	11,670 / 313	4600 / 123	7230 / 194	9600 / 257
		175 / 12	6920 / 185	11,250 / 302	14,820 / 397	5110 / 137	7920 / 212	10,290 / 276
35 to 135 / 2.4 to 9.3	35 / 2.4	50 / 3.4	2100 / 56	3100 / 83	3880 / 104	1190 / 32	1600 / 43	2440 / 65
		75 / 5.2	2440 / 65	3610 / 97	4480 / 120	1740 / 47	2370 / 63	3270 / 88
		100 / 6.9	2780 / 75	4120 / 110	5080 / 136	2290 / 61	3140 / 84	4100 / 110
		125 / 8.6	3120 / 84	4620 / 124	5670 / 152	2840 / 76	3910 / 105	4920 / 132
	50 / 3.4	75 / 5.2	3370 / 90	4700 / 126	6500 / 174	2440 / 65	3460 / 93	4720 / 126
		100 / 6.9	3620 / 97	5100 / 137	6880 / 184	2780 / 75	3960 / 106	5300 / 142
		125 / 8.6	3860 / 103	5500 / 147	7250 / 194	3120 / 84	4470 / 120	5870 / 157
	75 / 5.2	150 / 10	4110 / 110	5900 / 158	7630 / 204	3450 / 92	4970 / 133	6450 / 173
		100 / 6.9	4500 / 121	7000 / 188	9300 / 249	3330 / 89	5100 / 137	6750 / 181
		125 / 8.6	4810 / 129	7530 / 202	9970 / 267	3750 / 100	5690 / 152	7490 / 201
		150 / 10	5120 / 137	8070 / 216	10,630 / 285	4170 / 112	6280 / 168	8240 / 221
	100 / 6.9	175 / 12	5420 / 145	8600 / 230	11,300 / 303	4580 / 123	6870 / 184	8980 / 241
		125 / 8.6	5980 / 160	9730 / 261	11,500 / 308	4100 / 110	6800 / 182	9100 / 244
		150 / 10	6470 / 173	10,220 / 274	12,500 / 335	4480 / 120	7390 / 198	9930 / 266
		175 / 12	6960 / 187	10,710 / 287	13,500 / 362	4860 / 130	7970 / 214	10,770 / 289
	135 / 9.3	200 / 14	7450 / 200	11,200 / 300		5240 / 140	8560 / 229	
		150 / 10	8400 / 225	11,800 / 316	13,150 / 352	4920 / 132	8740 / 234	12,100 / 324
		175 / 12	8510 / 228	13,200 / 354	15,330 / 411	5660 / 152	9370 / 251	12,750 / 342
		200 / 14	8620 / 231	14,600 / 391	17,500 / 469	6400 / 172	10,000 / 268	13,400 / 359

Shaded areas indicate conditions where maximum differential pressure for the spring range is exceeded.

Type SR5

Table 8. Air Capacities for 1 In. / 25 mm Body Size (continued)

SPRING RANGE, psig / bar	SET PRESSURE, psig / bar	INLET PRESSURE, psig / bar	CAPACITIES IN SCFH / Nm ³ /h OF AIR AT % DROOP						
			1 In. / DN 25 Body Size						
			Elastomer Diaphragm			Metal Diaphragm			
			10%	20%	30%	10%	20%	30%	
2 to 8 / 0.2 to 0.5	2 / 0.2	10 / 0.7	610 / 16	620 / 17	650 / 17	Not Available			
		25 / 1.7	1040 / 28	1250 / 33	1280 / 34				
		50 / 3.4	1750 / 47	2300 / 62	2320 / 62				
	5 / 0.4	10 / 0.7	620 / 17	660 / 18	1400 / 37				
		25 / 1.7	910 / 24	1150 / 31	1890 / 51				
		50 / 3.4	1380 / 37	1970 / 53	2700 / 72				
	8 / 0.5	10 / 0.7	1400 / 37	1850 / 50	2000 / 54				
		25 / 1.7	1990 / 53	2280 / 61	2380 / 64				
		50 / 3.4	2970 / 80	3000 / 80	3000 / 80				
5 to 25 / 0.4 to 1.7	5 / 0.4	25 / 1.7	1000 / 27	1230 / 33	1880 / 50	900 / 24	1110 / 30	1690 / 45	
		50 / 3.4	1580 / 42	1950 / 52	2580 / 69	1420 / 38	1760 / 47	2320 / 62	
		75 / 5.2	2150 / 58	2670 / 72	3280 / 88	1940 / 52	2400 / 64	2950 / 79	
	15 / 1.1	25 / 1.7	2290 / 61	2430 / 65	4760 / 128	1100 / 29	1430 / 38	1980 / 53	
		50 / 3.4	2680 / 72	3500 / 94	5510 / 148	1890 / 51	2430 / 65	3100 / 83	
		75 / 5.2	3070 / 83	4560 / 122	6250 / 168	2680 / 72	3440 / 92	4230 / 113	
	25 / 1.7	35 / 2.4	4100 / 110	6200 / 166	8400 / 225	1400 / 36	2100 / 56	3460 / 93	
		50 / 3.4	4640 / 124	6770 / 181	9000 / 241	2000 / 54	2800 / 75	4250 / 114	
		75 / 5.2	5550 / 149	7710 / 207	10,000 / 268	3000 / 80	3960 / 106	5560 / 149	
10 to 50 / 0.7 to 3.4	10 / 0.7	25 / 1.7	1600 / 43	2400 / 64	3700 / 99	1140 / 31	1230 / 33	1540 / 41	
		50 / 3.4	2370 / 64	3330 / 89	4580 / 123	1900 / 51	2140 / 57	2550 / 68	
		100 / 6.9	3900 / 105	5200 / 139	6350 / 170	3410 / 91	3970 / 106	4580 / 123	
	25 / 1.7	50 / 3.4	4360 / 117	7360 / 197	9800 / 263	2100 / 56	2630 / 70	3860 / 103	
		75 / 5.2	5440 / 146	8470 / 227	11,030 / 296	3030 / 81	3800 / 102	5170 / 139	
		100 / 6.9	6520 / 175	9590 / 257	12,270 / 329	3970 / 106	4970 / 133	6480 / 174	
	50 / 3.4	75 / 5.2	9600 / 257	15,300 / 410	18,800 / 504	4000 / 107	6320 / 169	9520 / 255	
		100 / 6.9	11,030 / 296	16,730 / 448	19,980 / 535	4670 / 125	7170 / 192	10,480 / 281	
		125 / 8.6	12,470 / 334	18,170 / 487	22,350 / 599	5330 / 143	8010 / 215	11,440 / 307	
25 to 90 / 1.7 to 6.2	25 / 1.7	50 / 3.4	2500 / 67	5000 / 134	8200 / 220	2490 / 67	3680 / 99	5200 / 139	
		100 / 6.9	5400 / 145	7750 / 208	10,950 / 293	4250 / 114	5730 / 154	7930 / 212	
		125 / 8.6	6850 / 184	9130 / 245	12,330 / 330	5120 / 137	6750 / 181	9290 / 249	
	50 / 3.4	75 / 5.2	8400 / 225	13,000 / 348	17,500 / 469	4460 / 120	7840 / 210	13,000 / 348	
		100 / 6.9	9500 / 255	14,450 / 387	19,030 / 510	5140 / 138	8880 / 238	13,890 / 372	
		125 / 8.6	10,600 / 284	15,900 / 426	20,550 / 551	5810 / 156	9920 / 266	14,790 / 396	
	75 / 5.2	150 / 10	11,700 / 314	17,350 / 465	22,080 / 592	6490 / 174	10,960 / 294	15,680 / 420	
		100 / 6.9	11,950 / 320	18,700 / 501	22,750 / 610	6260 / 168	10,880 / 292	17,000 / 456	
		125 / 8.6	13,410 / 359	20,880 / 559	25,490 / 683	7590 / 203	12,530 / 336	18,750 / 503	
	90 / 6.2	150 / 10	14,880 / 399	23,050 / 618	28,230 / 756	8920 / 239	14,180 / 380	20,500 / 549	
		175 / 12	16,340 / 438	25,230 / 676	30,960 / 830	10,240 / 274	15,820 / 424	22,250 / 596	
		100 / 6.9	12,800 / 343	18,600 / 498	21,800 / 584	6700 / 180	12,000 / 322	18,380 / 493	
	35 to 135 / 2.4 to 9.3	35 / 2.4	125 / 8.6	14,760 / 395	21,670 / 581	25,710 / 689	7740 / 207	13,650 / 366	20,240 / 542
			150 / 10	16,710 / 448	24,730 / 663	29,630 / 794	8770 / 235	15,300 / 410	22,100 / 592
			175 / 12	18,670 / 500	27,800 / 745	33,540 / 899	9810 / 263	16,950 / 454	23,960 / 642
50 / 3.4	50 / 3.4	3730 / 100	6000 / 161	8740 / 234	3360 / 90	5500 / 147	7400 / 198		
	75 / 5.2	5030 / 135	7670 / 206	10,560 / 283	4570 / 122	6550 / 176	8840 / 237		
	100 / 6.9	6330 / 170	9330 / 250	12,370 / 332	5380 / 144	7600 / 204	10,280 / 275		
	125 / 8.6	7620 / 204	11,000 / 295	14,190 / 380	6190 / 166	8650 / 232	11,710 / 314		
	75 / 5.2	8000 / 214	11,300 / 303	14,400 / 386	4650 / 125	7270 / 195	10,430 / 280		
	100 / 6.9	8630 / 231	12,700 / 340	16,150 / 433	5780 / 155	8650 / 232	11,930 / 320		
	125 / 8.6	9250 / 248	14,100 / 378	17,900 / 480	6920 / 185	10,040 / 269	13,430 / 360		
	150 / 10	9880 / 265	15,500 / 415	19,650 / 527	8050 / 216	11,420 / 306	14,920 / 400		
	100 / 6.9	10,950 / 293	18,000 / 482	22,690 / 608	5140 / 138	9030 / 242	14,650 / 393		
75 / 5.2	125 / 8.6	12,510 / 335	19,790 / 530	25,260 / 677	6980 / 187	11,370 / 305	17,240 / 462		
	150 / 10	14,080 / 377	21,570 / 578	27,830 / 746	8820 / 236	13,720 / 368	19,830 / 531		
	175 / 12	15,640 / 419	23,360 / 626	30,400 / 815	10,660 / 286	16,060 / 430	22,410 / 601		
100 / 6.9	125 / 8.6	14,300 / 383	24,050 / 645	29,900 / 801	8350 / 224	14,000 / 375	20,000 / 536		
	150 / 10	15,700 / 421	26,200 / 702	33,330 / 893	9670 / 259	16,070 / 431	22,600 / 606		
	175 / 12	17,100 / 458	28,350 / 760	36,770 / 985	10,980 / 294	18,130 / 486	25,200 / 675		
135 / 9.3	200 / 14	18,500 / 496	30,500 / 817		12,300 / 330	20,200 / 541			
	150 / 10	10,000 / 268	29,340 / 786	33,600 / 900	9000 / 241	19,300 / 517	27,690 / 742		
	175 / 12	17,900 / 480	34,570 / 926	41,000 / 1099	12,780 / 343	21,970 / 589	31,650 / 848		
		200 / 14	25,800 / 691	39,800 / 1067	48,400 / 1297	14,350 / 385	24,640 / 660	35,600 / 954	

Shaded areas indicate conditions where maximum differential pressure for the spring range is exceeded.

Table 8. Air Capacities for 1-1/2 x 1 In. / 40 x 25 mm Body Size (continued)

SPRING RANGE, psig / bar	SET PRESSURE, psig / bar	INLET PRESSURE, psig / bar	CAPACITIES IN SCFH / Nm ³ /h OF AIR AT % DROOP											
			1-1/2 x 1 In. / 40 x 25 mm Body Size											
			Elastomer Diaphragm			Metal Diaphragm								
			10%	20%	30%	10%	20%	30%						
2 to 8 / 0.2 to 0.5	2 / 0.2	10 / 0.7	670 / 18	680 / 18	720 / 19	Not Available								
		25 / 1.7	1140 / 31	1380 / 37	1400 / 38									
		50 / 3.4	1930 / 52	2530 / 68	2550 / 68									
	5 / 0.4	10 / 0.7	680 / 18	730 / 20	1540 / 41				Not Available					
		25 / 1.7	1000 / 27	1270 / 34	2080 / 56									
		50 / 3.4	1520 / 41	2170 / 58	2970 / 80									
	8 / 0.5	10 / 0.7	1540 / 41	2040 / 55	2200 / 59							Not Available		
		25 / 1.7	2190 / 59	2510 / 67	2610 / 70									
		50 / 3.4	3270 / 88	3300 / 88	3300 / 88									
5 to 25 / 0.4 to 1.7	5 / 0.4	25 / 1.7	1100 / 29	1350 / 36	2070 / 55	1000 / 27	1230 / 33	1880 / 50						
		50 / 3.4	1730 / 46	2150 / 58	2840 / 76	1580 / 42	1950 / 52	2580 / 69						
		75 / 5.2	2370 / 63	2940 / 79	3610 / 97	2150 / 58	2670 / 72	3280 / 88						
	15 / 1.1	25 / 1.7	2520 / 67	2670 / 72	5240 / 140	1210 / 32	1570 / 42	2180 / 58						
		50 / 3.4	2950 / 79	3840 / 103	6060 / 162	2080 / 56	2680 / 72	3410 / 91						
		75 / 5.2	3370 / 90	5020 / 135	6880 / 184	2950 / 79	3780 / 101	4650 / 125						
	25 / 1.7	35 / 2.4	4510 / 121	6820 / 183	9240 / 248	1540 / 41	2310 / 62	3810 / 102						
		50 / 3.4	5110 / 137	7440 / 199	9900 / 265	2200 / 59	3080 / 83	4670 / 125						
		75 / 5.2	6100 / 163	8480 / 227	11,000 / 295	3300 / 88	4360 / 117	6120 / 164						
	10 to 50 / 0.7 to 3.4	10 / 0.7	25 / 1.7	1760 / 47	2640 / 70.8	4070 / 109	1250 / 34	1350 / 36	1690 / 45					
			50 / 3.4	2600 / 70	3670 / 98.3	5040 / 135	2090 / 56	2360 / 63	2810 / 75					
			100 / 6.9	4290 / 115	5720 / 153	6990 / 187	3750 / 101	4370 / 117	5040 / 135					
25 / 1.7		50 / 3.4	4800 / 129	8100 / 217	10,780 / 289	2310 / 62	2890 / 77	4250 / 114						
		75 / 5.2	5980 / 160	9320 / 250	12,140 / 325	3340 / 89	4180 / 112	5690 / 152						
		100 / 6.9	7170 / 192	10,550 / 283	13,490 / 362	4360 / 117	5470 / 147	7130 / 191						
50 / 3.4		75 / 5.2	10,560 / 283	16,830 / 451	20,680 / 554	4400 / 118	6950 / 186	10,470 / 281						
		100 / 6.9	12,140 / 325	18,410 / 493	21,980 / 589	5130 / 138	7880 / 211	11,530 / 309						
		125 / 8.6	13,710 / 367	19,980 / 535	24,590 / 659	5870 / 157	8810 / 236	12,580 / 337						
25 to 90 / 1.7 to 6.2		25 / 1.7	50 / 3.4	2750 / 74	5500 / 147	9020 / 242	2740 / 73	4050 / 109	5720 / 153					
			100 / 6.9	5940 / 159	8530 / 229	12,050 / 323	4670 / 125	6300 / 169	8720 / 234					
			125 / 8.6	7540 / 202	10,040 / 269	13,560 / 363	5630 / 151	7420 / 199	10,220 / 274					
	50 / 3.4	75 / 5.2	9240 / 248	14,300 / 383	19,250 / 516	4910 / 131	8620 / 231	14,300 / 383						
		100 / 6.9	10,450 / 280	15,900 / 426	20,930 / 561	5650 / 151	9770 / 262	15,280 / 410						
		125 / 8.6	11,660 / 312	17,490 / 469	22,610 / 606	6390 / 171	10,910 / 292	16,260 / 436						
	75 / 5.2	150 / 10	12,870 / 345	19,090 / 512	24,280 / 651	7140 / 191	12,060 / 323	17,250 / 462						
		100 / 6.9	13,150 / 352	20,570 / 551	25,030 / 671	6890 / 185	11,970 / 321	18,700 / 501						
		125 / 8.6	14,750 / 395	22,960 / 615	28,040 / 751	8350 / 224	13,780 / 369	20,630 / 553						
	90 / 6.2	150 / 10	16,360 / 438	25,360 / 680	31,050 / 832	9810 / 263	15,590 / 418	22,550 / 604						
		175 / 12	17,970 / 482	27,750 / 744	34,060 / 913	11,270 / 302	17,400 / 466	24,480 / 656						
		100 / 6.9	14,080 / 377	20,460 / 548	23,980 / 643	7370 / 198	13,200 / 354	20,220 / 542						
	35 to 135 / 2.4 to 9.3	35 / 2.4	125 / 8.6	16,230 / 435	23,830 / 639	28,280 / 758	8510 / 228	15,020 / 402	22,260 / 597					
			150 / 10	18,380 / 493	27,200 / 729	32,590 / 873	9650 / 259	16,830 / 451	24,310 / 652					
			175 / 12	20,540 / 550	30,580 / 820	36,890 / 989	10,790 / 289	18,650 / 500	26,360 / 706					
	35 to 135 / 2.4 to 9.3	50 / 3.4	50 / 3.4	4100 / 110	6600 / 177	9610 / 258	3730 / 100	6050 / 162	8140 / 218					
			75 / 5.2	5530 / 148	8430 / 226	11,610 / 311	5030 / 135	7210 / 193	9720 / 261					
			100 / 6.9	6960 / 187	10,260 / 275	13,610 / 365	5920 / 159	8360 / 224	11,300 / 303					
50 / 3.4		125 / 8.6	8380 / 225	12,090 / 324	15,600 / 418	6810 / 182	9520 / 255	12,880 / 345						
		75 / 5.2	8800 / 236	12,430 / 333	15,840 / 425	5120 / 137	8000 / 214	11,470 / 307						
		100 / 6.9	9490 / 254	13,970 / 374	17,770 / 476	6360 / 170	9520 / 255	13,120 / 352						
75 / 5.2		125 / 8.6	10,180 / 273	15,510 / 416	19,690 / 528	7610 / 204	11,040 / 296	14,770 / 396						
		150 / 10	10,860 / 291	17,050 / 457	21,620 / 579	8850 / 237	12,560 / 337	16,410 / 440						
		100 / 6.9	12,050 / 323	19,800 / 531	24,960 / 669	5650 / 151	9930 / 266	16,120 / 432						
100 / 6.9		125 / 8.6	13,760 / 369	21,760 / 583	27,790 / 745	7680 / 206	12,510 / 335	18,960 / 508						
		150 / 10	15,480 / 415	23,730 / 636	30,610 / 820	9700 / 260	15,090 / 404	21,810 / 584						
		175 / 12	17,200 / 461	25,690 / 689	33,440 / 896	11,730 / 314	17,660 / 473	24,650 / 661						
135 / 9.3	125 / 8.6	15,730 / 422	26,460 / 709	32,890 / 881	9190 / 246	15,400 / 413	22,000 / 590							
	150 / 10	17,270 / 463	28,820 / 772	36,670 / 983	10,630 / 285	17,670 / 474	24,860 / 666							
	175 / 12	18,810 / 504	31,190 / 836	40,440 / 1084	12,080 / 324	19,950 / 535	27,720 / 743							
35 to 135 / 2.4 to 9.3	200 / 14	200 / 14	20,350 / 545	33,550 / 899		13,530 / 363	22,220 / 595							
		150 / 10	11,000 / 295	32,270 / 865	36,960 / 991	10,000 / 268	21,230 / 569	30,460 / 816						
		175 / 12	19,690 / 528	38,030 / 1019	45,100 / 1209	14,050 / 377	24,170 / 648	34,810 / 933						
35 to 135 / 2.4 to 9.3	200 / 14	200 / 14	28,380 / 761	43,780 / 1173	53,240 / 1427	15,790 / 423	27,100 / 726	39,160 / 1049						

Shaded areas indicate conditions where maximum differential pressure for the spring range is exceeded.

Type SR5

Table 8. Air Capacities for 1-1/2 In. / 40 mm Body with Full Port (continued)

SPRING RANGE, psig / bar	SET PRESSURE, psig / bar	INLET PRESSURE, psig / bar	CAPACITIES IN SCFH / Nm ³ /h OF AIR AT % DROOP					
			1-1/2 In. / 40 mm Body Size					
			Elastomer Diaphragm			Metal Diaphragm		
			10%	20%	30%	10%	20%	30%
5 to 25 / 0.4 to 1.7	5 / 0.4	25 / 1.7	2500 / 67	4340 / 116	5320 / 143	1840 / 49	1870 / 50	1910 / 51
		50 / 3.4	4830 / 129	5790 / 155	6780 / 182	3400 / 91	3770 / 101	4440 / 119
		75 / 5.2	6400 / 172	7230 / 194	8230 / 221	4950 / 133	5660 / 152	6960 / 187
	15 / 1.0	25 / 1.7	2300 / 62	5220 / 140	7950 / 213	2180 / 58	2740 / 73	3990 / 107
		50 / 3.4	5170 / 139	8020 / 215	10,880 / 292	3960 / 106	5030 / 135	6800 / 182
		75 / 5.2	8050 / 216	10,820 / 290	13,810 / 370	5730 / 154	7320 / 196	9610 / 258
	25 / 1.7	25 / 1.7	4700 / 126	8900 / 239	11,600 / 311	2400 / 64	3530 / 95	6160 / 165
		50 / 3.4	6850 / 183	11,230 / 301	14,650 / 393	3600 / 96	5120 / 137	8040 / 215
		75 / 5.2	10,420 / 279	15,120 / 405	19,720 / 528	5590 / 150	7760 / 208	11,170 / 299
10 to 50 / 0.7 to 3.4	10 / 0.7	25 / 1.7	1930 / 52	2800 / 75	4300 / 115	1910 / 51	2780 / 74	4260 / 114
		50 / 3.4	3640 / 98	4830 / 130	6340 / 170	3610 / 97	4790 / 128	6290 / 169
		100 / 6.9	5360 / 144	6870 / 184	8390 / 225	5310 / 142	6810 / 183	8310 / 223
	25 / 1.7	50 / 3.4	4950 / 133	9300 / 249	13,600 / 364	4480 / 120	7200 / 193	10,400 / 279
		75 / 5.2	7630 / 204	11,990 / 321	16,400 / 440	6120 / 164	9260 / 248	13,070 / 350
		100 / 6.9	10,310 / 276	14,670 / 393	19,200 / 515	7760 / 208	11,320 / 303	15,730 / 422
	50 / 3.4	75 / 5.2	16,360 / 438	26,660 / 714	34,700 / 930	9000 / 241	14,400 / 386	19,910 / 534
		100 / 6.9	17,850 / 478	29,220 / 783	36,540 / 979	12,200 / 327	18,600 / 498	24,110 / 646
		125 / 8.6	19,330 / 518	31,770 / 851	38,380 / 1029	15,400 / 413	22,800 / 611	28,300 / 759
25 to 75 / 1.7 to 5.2	25 / 1.7	50 / 3.4	8080 / 217	10,900 / 292	15,000 / 402	5160 / 138	9500 / 255	12,000 / 322
		100 / 6.9	14,290 / 383	19,850 / 532	23,720 / 636	8720 / 234	12,250 / 328	15,710 / 421
		125 / 8.6	17,400 / 466	24,330 / 652	28,070 / 752	10,500 / 281	13,630 / 365	17,570 / 471
	50 / 3.4	75 / 5.2	13,370 / 358	20,780 / 557	27,400 / 734	8900 / 239	14,600 / 391	18,640 / 500
		100 / 6.9	15,280 / 410	24,360 / 653	30,750 / 824	9240 / 248	16,200 / 434	20,980 / 562
		125 / 8.6	17,190 / 461	27,940 / 749	34,100 / 914	9580 / 257	17,800 / 477	23,320 / 625
	75 / 5.2	150 / 10	19,090 / 512	31,520 / 845	37,450 / 1004	9920 / 266	19,400 / 520	25,660 / 688
		100 / 6.9	17,160 / 460	25,000 / 670	37,000 / 992	14,000 / 375	19,700 / 528	27,740 / 743
		125 / 8.6	22,110 / 593	31,000 / 831	42,740 / 1145	16,040 / 430	23,250 / 623	31,660 / 848
35 to 100 / 2.4 to 6.9	35 / 2.4	150 / 10	27,050 / 725	37,000 / 992	48,480 / 1299	18,080 / 485	26,800 / 718	35,570 / 953
		175 / 12	32,000 / 858	43,000 / 1152	54,220 / 1453	20,120 / 539	30,340 / 813	39,490 / 1058
		50 / 3.4	6500 / 174	10,410 / 279	14,820 / 397	6440 / 173	8900 / 239	12,300 / 330
	50 / 3.4	75 / 5.2	8480 / 227	13,060 / 350	17,920 / 480	8400 / 225	10,850 / 291	14,610 / 392
		100 / 6.9	10,450 / 280	15,710 / 421	21,020 / 563	10,360 / 278	12,800 / 343	16,930 / 454
		125 / 8.6	12,430 / 333	18,350 / 492	24,120 / 646	12,320 / 330	14,750 / 395	19,240 / 516
	75 / 5.2	75 / 5.2	13,300 / 356	19,820 / 531	25,000 / 670	7780 / 209	11,240 / 301	16,430 / 440
		100 / 6.9	14,560 / 390	22,020 / 590	27,800 / 745	8710 / 233	12,850 / 344	18,490 / 496
		125 / 8.6	15,810 / 424	24,230 / 649	30,610 / 820	9640 / 258	14,460 / 388	20,540 / 550
100 / 6.9	150 / 10	17,070 / 457	26,430 / 708	33,410 / 895	10,570 / 283	16,060 / 430	22,600 / 606	
	100 / 6.9	19,270 / 516	29,000 / 777	38,300 / 1026	10,000 / 268	16,580 / 444	24,700 / 662	
	125 / 8.6	20,860 / 559	30,700 / 823	41,120 / 1102	12,200 / 327	20,360 / 546	28,780 / 771	
100 / 6.9	150 / 10	22,440 / 601	32,410 / 869	43,930 / 1177	14,400 / 386	24,140 / 647	32,850 / 880	
	175 / 12	24,030 / 644	34,110 / 914	46,750 / 1253	16,600 / 445	27,920 / 748	36,930 / 990	
	125 / 8.6	17,350 / 465	32,130 / 861	47,700 / 1278	16,580 / 444	26,300 / 705	36,280 / 972	
	150 / 10	25,270 / 677	37,920 / 1016	54,270 / 1454	19,430 / 521	30,080 / 806	40,390 / 1082	
100 / 6.9	175 / 12	33,200 / 890	43,710 / 1171	60,850 / 1631	22,280 / 597	33,850 / 907	44,490 / 1192	
	200 / 14	41,120 / 1102	49,500 / 1327		25,130 / 673	37,630 / 1008		

Shaded areas indicate conditions where maximum differential pressure for the spring range is exceeded.

Table 8. Air Capacities for 2 In. / 50 mm Body Size (continued)

SPRING RANGE, psig / bar	SET PRESSURE, psig / bar	INLET PRESSURE, psig / bar	CAPACITIES IN SCFH / Nm ³ /h OF AIR AT % DROOP						
			2 In. / 50 mm Body Size						
			Elastomer Diaphragm			Metal Diaphragm			
			10%	20%	30%	10%	20%	30%	
10 to 25 / 0.7 to 1.7	10 / 0.7	25 / 1.7	9310 / 250	13,150 / 352	17,990 / 482	7870 / 211	11,180 / 300	13,280 / 356	
		50 / 3.4	14,650 / 393	17,460 / 468	24,520 / 657	10,980 / 294	14,780 / 396	17,760 / 476	
	15 / 1.0	25 / 1.7	11,720 / 314	16,680 / 447	23,520 / 630	8050 / 216	11,960 / 321	16,900 / 453	
		50 / 3.4	14,650 / 393	23,000 / 616	31,400 / 842	12,480 / 334	16,510 / 442	22,470 / 602	
	25 / 1.7	50 / 3.4	19,600 / 525	33,540 / 899	44,640 / 1196	14,830 / 397	20,650 / 553	30,160 / 808	
		75 / 5.2	23,950 / 642	38,310 / 1027	49,770 / 1334	17,040 / 457	26,160 / 701	35,390 / 948	
15 to 50 / 1.0 to 3.4	15 / 1.0	25 / 1.7	10,570 / 283	14,340 / 384	20,300 / 544	7950 / 213	11,350 / 304	14,380 / 385	
		50 / 3.4	14,280 / 383	18,980 / 509	26,270 / 704	11,720 / 314	15,340 / 411	19,780 / 530	
		75 / 5.2	17,210 / 461	22,890 / 613	29,710 / 796	15,100 / 405	18,780 / 503	24,380 / 653	
		100 / 6.9	19,580 / 525	26,170 / 701	32,570 / 873	18,110 / 485	21,770 / 583	28,330 / 759	
		125 / 8.6	21,610 / 579	28,930 / 775	35,940 / 963	20,770 / 557	24,390 / 654	31,770 / 851	
	25 / 1.7	50 / 3.4	14,860 / 398	28,790 / 772	36,470 / 977	13,820 / 370	19,440 / 521	27,580 / 739	
		75 / 5.2	19,980 / 535	33,980 / 911	43,410 / 1163	17,050 / 457	25,100 / 673	33,830 / 907	
		100 / 6.9	23,970 / 642	38,340 / 1028	48,870 / 1310	19,370 / 519	29,570 / 792	38,100 / 1021	
	50 / 3.4	125 / 8.6	26,830 / 719	41,850 / 1122	52,960 / 1419	21,170 / 567	33,180 / 889	41,200 / 1104	
		75 / 5.2	30,740 / 824	50,930 / 1365	66,750 / 1789	20,460 / 548	35,870 / 961	51,800 / 1388	
		100 / 6.9	39,970 / 1071	60,520 / 1622	75,540 / 2024	27,670 / 742	45,800 / 1227	60,890 / 1632	
		125 / 8.6	45,320 / 1215	65,880 / 1766	81,940 / 2196	32,270 / 865	51,810 / 1389	67,170 / 1800	
	25 to 75 / 1.7 to 5.2	25 / 1.7	150 / 10	48,660 / 1304	69,210 / 1855	86,990 / 2331	35,590 / 954	55,590 / 1490	71,960 / 1929
			50 / 3.4	17,140 / 459	26,450 / 709	33,320 / 893	13,000 / 348	17,640 / 473	25,000 / 670
			75 / 5.2	19,700 / 528	31,970 / 857	41,420 / 1110	17,410 / 467	23,440 / 628	31,250 / 838
100 / 6.9			24,650 / 661	37,110 / 995	46,370 / 1243	19,920 / 534	28,550 / 765	36,640 / 982	
125 / 8.6			28,390 / 761	41,570 / 1114	49,360 / 1323	21,470 / 575	32,600 / 874	41,030 / 1100	
50 / 3.4		150 / 10	29,760 / 798	45,030 / 1207	51,620 / 1383	22,840 / 612	35,630 / 955	44,580 / 1195	
		75 / 5.2	29,410 / 788	48,810 / 1308	63,270 / 1696	19,790 / 530	34,350 / 921	49,930 / 1338	
		100 / 6.9	31,800 / 852	55,090 / 1476	70,980 / 1902	26,040 / 698	42,040 / 1127	58,050 / 1556	
		125 / 8.6	37,590 / 1007	61,160 / 1639	78,730 / 2110	31,040 / 832	48,080 / 1289	64,300 / 1723	
		150 / 10	44,250 / 1186	66,660 / 1786	85,560 / 2293	35,110 / 941	53,000 / 1420	69,560 / 1864	
75 / 5.2		175 / 12	49,680 / 1331	71,210 / 1908	90,510 / 2426	38,610 / 1035	57,360 / 1537	74,660 / 2001	
		100 / 6.9	43,890 / 1176	67,540 / 1810	84,590 / 2267	31,590 / 847	57,340 / 1537	79,980 / 2143	
		125 / 8.6	47,900 / 1284	77,270 / 2071	95,970 / 2572	37,290 / 999	62,940 / 1687	89,110 / 2388	
		150 / 10	52,450 / 1406	83,240 / 2231	105,110 / 2817	41,370 / 1109	70,360 / 1886	98,080 / 2629	
		175 / 12	57,560 / 1543	88,270 / 2366	112,010 / 3002	45,800 / 1227	77,020 / 2064	104,780 / 2808	

Type SR5

Table 8. Air Capacities for 3 In. / 80 mm Body Size (continued)

SPRING RANGE, psig / bar	SET PRESSURE, psig / bar	INLET PRESSURE, psig / bar	CAPACITIES IN SCFH / Nm ³ /h OF AIR AT % DROOP						
			3 In. / 80 mm Body Size						
			Elastomer Diaphragm			Metal Diaphragm			
			10%	20%	30%	10%	20%	30%	
10 to 25 / 0.7 to 1.7	10 / 0.7	25 / 1.7	10,330 / 277	15,820 / 424	22,610 / 606	7360 / 197	10,460 / 280	13,160 / 353	
		50 / 3.4	15,200 / 407	23,070 / 618	32,390 / 868	9500 / 255	14,400 / 386	16,980 / 455	
	15 / 1.0	25 / 1.7	11,770 / 315	19,290 / 517	28,620 / 767	7800 / 209	11,260 / 302	16,830 / 451	
		50 / 3.4	20,010 / 536	31,950 / 856	42,310 / 1134	11,930 / 320	15,640 / 419	23,040 / 617	
	25 / 1.7	50 / 3.4	28,270 / 758	44,040 / 1180	54,820 / 1469	14,580 / 391	20,410 / 547	30,850 / 827	
		75 / 5.2	29,260 / 784	51,980 / 1393	65,180 / 1747	17,040 / 457	28,150 / 754	40,320 / 1081	
15 to 50 / 1.0 to 3.4	15 / 1.0	25 / 1.7	11,610 / 311	16,360 / 438	22,280 / 597	6940 / 186	10,480 / 281	14,210 / 381	
		50 / 3.4	15,430 / 414	23,210 / 622	32,820 / 880	11,580 / 310	15,790 / 423	21,480 / 576	
		75 / 5.2	20,490 / 549	30,710 / 823	39,920 / 1070	15,470 / 415	20,550 / 551	27,820 / 746	
		100 / 6.9	26,040 / 698	38,370 / 1028	45,810 / 1228	18,730 / 502	24,750 / 663	33,300 / 892	
		125 / 8.6	31,340 / 840	45,530 / 1220	52,030 / 1394	21,450 / 575	28,410 / 761	38,010 / 1019	
	25 / 1.7	50 / 3.4	19,300 / 517	33,920 / 909	45,800 / 1227	14,930 / 400	19,480 / 522	27,370 / 734	
		75 / 5.2	26,550 / 712	42,510 / 1139	57,260 / 1535	17,730 / 475	25,770 / 691	37,500 / 1005	
		100 / 6.9	30,680 / 822	49,600 / 1329	65,540 / 1756	20,430 / 548	32,050 / 859	45,090 / 1208	
	50 / 3.4	125 / 8.6	33,650 / 902	53,920 / 1445	71,750 / 1923	23,360 / 626	37,990 / 1018	50,980 / 1366	
		75 / 5.2	40,670 / 1090	62,920 / 1686	81,420 / 2182	19,840 / 532	36,300 / 973	53,810 / 1442	
		100 / 6.9	47,050 / 1261	76,120 / 2040	96,060 / 2574	27,060 / 725	45,620 / 1223	68,010 / 1823	
		125 / 8.6	53,980 / 1447	86,050 / 2306	110,740 / 2968	31,910 / 855	52,980 / 1420	77,540 / 2078	
	25 to 75 / 1.7 to 5.2	25 / 1.7	150 / 10	60,610 / 1624	93,900 / 2517	121,170 / 3247	35,630 / 955	59,430 / 1593	84,540 / 2266
			50 / 3.4	18,130 / 486	31,820 / 853	44,870 / 1203	14,070 / 377	21,300 / 571	29,290 / 785
			75 / 5.2	22,000 / 590	38,310 / 1027	52,320 / 1402	16,780 / 450	26,700 / 716	36,700 / 984
100 / 6.9			27,910 / 748	45,220 / 1212	59,530 / 1595	19,280 / 517	31,760 / 851	43,110 / 1155	
125 / 8.6			35,170 / 943	52,060 / 1395	66,380 / 1779	22,280 / 597	36,580 / 980	48,740 / 1306	
50 / 3.4		150 / 10	41,190 / 1104	58,350 / 1564	72,790 / 1951	25,790 / 691	41,290 / 1107	53,820 / 1442	
		75 / 5.2	35,150 / 942	57,170 / 1532	74,230 / 1989	19,600 / 525	34,970 / 937	51,080 / 1369	
		100 / 6.9	41,260 / 1106	70,230 / 1882	92,620 / 2482	27,180 / 728	42,170 / 1130	63,270 / 1696	
		125 / 8.6	51,510 / 1380	80,560 / 2159	104,840 / 2810	31,610 / 847	50,250 / 1347	72,830 / 1952	
		150 / 10	58,210 / 1560	89,600 / 2401	114,040 / 3056	34,710 / 930	58,400 / 1565	80,800 / 2165	
75 / 5.2		175 / 12	63,000 / 1688	98,770 / 2647	123,380 / 3307	38,270 / 1026	65,840 / 1765	88,170 / 2363	
		100 / 6.9	47,530 / 1274	74,720 / 2002	100,670 / 2698	27,500 / 737	50,390 / 1350	78,720 / 2110	
		125 / 8.6	55,240 / 1480	95,570 / 2561	121,120 / 3246	35,110 / 941	60,710 / 1627	95,460 / 2558	
		150 / 10	62,730 / 1681	111,140 / 2979	138,550 / 3713	40,000 / 1072	68,630 / 1839	106,340 / 2850	
		175 / 12	69,980 / 1875	121,490 / 3256	152,970 / 4100	47,550 / 1274	76,930 / 2062	111,250 / 2982	

Table 9. Steam Capacities for 1/2 In. / 15 mm Body Size

SPRING RANGE, psig / bar	SET PRESSURE, psig / bar	INLET PRESSURE, psig / bar	CAPACITIES IN POUNDS PER HOUR / kg/h OF SATURATED STEAM AT % DROOP						
			1/2 In. / 15 mm Body Size						
			Elastomer Diaphragm			Metal Diaphragm			
			10%	20%	30%	10%	20%	30%	
2 to 8 / 0.2 to 0.5	2 / 0.2	10 / 0.7	7 / 3.2	10 / 4.5	12 / 5.4	Not Available			
		25 / 1.7	10 / 4.5	14 / 6.4	15 / 6.8				
		50 / 3.4	11 / 5.0	15 / 6.8	17 / 7.7				
	5 / 0.4	10 / 0.7	11 / 5.0	16 / 7.3	21 / 9.5				
		25 / 1.7	13 / 5.9	18 / 8.2	22 / 10				
		50 / 3.4	16 / 7.3	21 / 9.5	26 / 12				
	8 / 0.5	10 / 0.7	13 / 5.9	19 / 8.6	28 / 13				
		25 / 1.7	15 / 6.8	22 / 10	30 / 14				
		50 / 3.4	20 / 9.1	28 / 13	34 / 15				
5 to 25 / 0.4 to 1.7	5 / 0.4	25 / 1.7	13 / 5.9	18 / 8.2	22 / 10	11 / 5.0	14 / 6.4	17 / 7.7	
		50 / 3.4	16 / 7.3	20 / 9.1	25 / 11	14 / 6.4	17 / 7.7	21 / 9.5	
		75 / 5.2	19 / 8.6	23 / 10	27 / 12	17 / 7.7	21 / 9.5	25 / 11	
	15 / 1.1	25 / 1.7	24 / 11	37 / 17	45 / 20	15 / 6.8	24 / 11	32 / 15	
		50 / 3.4	29 / 13	40 / 18	49 / 22	21 / 9.5	30 / 14	38 / 17	
		75 / 5.2	35 / 16	44 / 20	53 / 24	27 / 12	37 / 17	45 / 20	
	25 / 1.7	35 / 2.4	39 / 18	55 / 25	67 / 30	21 / 9.5	36 / 16	50 / 23	
		50 / 3.4	40 / 18	56 / 25	69 / 31	25 / 11	40 / 18	53 / 24	
		75 / 5.2	44 / 20	60 / 27	73 / 33	32 / 15	47 / 21	59 / 27	
	10 to 50 / 0.7 to 3.4	10 / 0.7	25 / 1.7	17 / 7.7	26 / 12	32 / 15	13 / 5.9	18 / 8.2	24 / 11
			50 / 3.4	21 / 9.5	30 / 14	35 / 16	16 / 7.3	22 / 10	28 / 13
			100 / 6.9	29 / 13	38 / 17	42 / 19	24 / 11	31 / 14	37 / 17
25 / 1.7		50 / 3.4	40 / 18	57 / 26	68 / 31	23 / 10	39 / 18	50 / 23	
		75 / 5.2	44 / 20	59 / 27	71 / 32	30 / 14	45 / 20	55 / 25	
		100 / 6.9	47 / 21	62 / 28	74 / 34	36 / 16	51 / 23	60 / 27	
50 / 3.4		75 / 5.2	68 / 31	104 / 47	121 / 55	45 / 20	69 / 31	90 / 41	
		100 / 6.9	72 / 33	105 / 48	122 / 55	51 / 23	75 / 34	94 / 43	
		125 / 8.6	76 / 34	107 / 49	125 / 57	56 / 25	81 / 37	100 / 45	
25 to 90 / 1.7 to 6.2		25 / 1.7	50 / 3.4	34 / 15	51 / 23	61 / 28	26 / 12	38 / 17	47 / 21
			100 / 6.9	42 / 19	58 / 26	68 / 31	35 / 16	46 / 21	55 / 25
			125 / 8.6	46 / 21	62 / 28	72 / 33	40 / 18	51 / 23	60 / 27
	50 / 3.4	75 / 5.2	65 / 29	94 / 43	114 / 52	45 / 20	66 / 30	84 / 38	
		100 / 6.9	68 / 31	97 / 44	116 / 53	50 / 23	71 / 32	88 / 40	
		125 / 8.6	71 / 32	101 / 46	119 / 54	55 / 25	77 / 35	92 / 42	
	75 / 5.2	150 / 10	76 / 34	105 / 48	123 / 56	61 / 28	83 / 38	97 / 44	
		100 / 6.9	91 / 41	132 / 60	162 / 74	57 / 26	91 / 41	119 / 54	
		125 / 8.6	97 / 44	135 / 61	165 / 75	65 / 30	98 / 44	125 / 57	
	90 / 6.2	150 / 10	102 / 46	139 / 63	169 / 77	73 / 33	106 / 48	132 / 60	
		175 / 12	108 / 49	144 / 65	174 / 79	82 / 37	115 / 52	139 / 63	
		100 / 6.9	97 / 44	142 / 64	159 / 72	60 / 27	101 / 46	136 / 62	
	35 to 135 / 2.4 to 9.3	35 / 2.4	125 / 8.6	103 / 47	148 / 67	169 / 77	68 / 31	108 / 49	142 / 64
			150 / 10	108 / 49	154 / 70	179 / 81	76 / 35	116 / 53	147 / 67
			175 / 12	114 / 52	160 / 73	191 / 87	84 / 38	123 / 56	154 / 70
	50 / 3.4	50 / 3.4	37 / 17	59 / 27	72 / 33	50 / 23	43 / 20	55 / 25	
		75 / 5.2	43 / 20	64 / 29	77 / 35	32 / 15	47 / 21	59 / 27	
		100 / 6.9	49 / 22	70 / 32	82 / 37	37 / 17	52 / 24	65 / 30	
125 / 8.6		56 / 25	76 / 34	88 / 40	41 / 19	58 / 26	70 / 32		
75 / 5.2		64 / 29	90 / 41	108 / 49	41 / 19	63 / 29	81 / 37		
100 / 6.9		67 / 30	94 / 43	111 / 50	47 / 21	69 / 31	85 / 39		
75 / 5.2	125 / 8.6	72 / 33	98 / 44	115 / 52	53 / 24	75 / 34	91 / 41		
	150 / 10	77 / 35	103 / 47	119 / 54	60 / 27	82 / 37	96 / 44		
	100 / 6.9	87 / 39	136 / 62	160 / 73	64 / 29	93 / 42	121 / 55		
	125 / 8.6	91 / 41	138 / 63	163 / 74	67 / 30	99 / 45	125 / 57		
100 / 6.9	150 / 10	96 / 44	142 / 64	168 / 76	70 / 32	105 / 48	130 / 59		
	175 / 12	101 / 46	146 / 66	174 / 79	74 / 34	112 / 51	136 / 62		
	125 / 8.6	119 / 54	182 / 83	205 / 93	80 / 36	125 / 57	158 / 72		
	150 / 10	127 / 58	189 / 86	213 / 97	88 / 40	132 / 60	165 / 75		
135 / 9.3	175 / 12	134 / 61	196 / 89	222 / 101	95 / 43	139 / 63	173 / 79		
	200 / 14	142 / 64	204 / 93		102 / 46	146 / 66			
	150 / 10	148 / 67	215 / 98	238 / 108	102 / 46	160 / 73	209 / 95		
	175 / 12	169 / 77	239 / 108	270 / 123	112 / 51	177 / 80	221 / 100		
		200 / 14	190 / 86	263 / 119	300 / 136	122 / 55	193 / 88	234 / 106	

Shaded areas indicate conditions where maximum differential pressure for the spring range is exceeded.

Type SR5

Table 9. Steam Capacities for 3/4 In. / 20 mm Body Size (continued)

SPRING RANGE, psig / bar	SET PRESSURE, psig / bar	INLET PRESSURE, psig / bar	CAPACITIES IN POUNDS PER HOUR / kg/h OF SATURATED STEAM AT % DROOP						
			3/4 In. / 20 mm Body Size						
			Elastomer Diaphragm			Metal Diaphragm			
			10%	20%	30%	10%	20%	30%	
2 to 8 / 0.2 to 0.5	2 / 0.2	10 / 0.7	15 / 6.8	18 / 8.2	21 / 9.5	Not Available			
		25 / 1.7	19 / 8.6	21 / 9.5	24 / 11				
		50 / 3.4	24 / 11	27 / 12	31 / 14				
	5 / 0.4	10 / 0.7	23 / 10	30 / 14	41 / 19				
		25 / 1.7	26 / 12	36 / 16	48 / 22				
		50 / 3.4	31 / 14	49 / 22	62 / 28				
	8 / 0.5	10 / 0.7	26 / 12	45 / 20	58 / 26				
		25 / 1.7	30 / 14	48 / 22	66 / 30				
		50 / 3.4	35 / 16	55 / 25	81 / 37				
5 to 25 / 0.4 to 1.7	5 / 0.4	25 / 1.7	27 / 12	37 / 17	48 / 22	23 / 10	30 / 14	38 / 17	
		50 / 3.4	41 / 19	52 / 24	64 / 29	35 / 16	43 / 20	50 / 23	
		75 / 5.2	55 / 25	66 / 30	80 / 36	46 / 21	55 / 25	62 / 28	
	15 / 1.1	25 / 1.7	46 / 21	75 / 34	110 / 50	32 / 15	47 / 21	61 / 28	
		50 / 3.4	58 / 26	89 / 40	120 / 54	45 / 20	63 / 29	79 / 36	
		75 / 5.2	71 / 32	110 / 50	140 / 64	58 / 26	80 / 36	99 / 45	
	25 / 1.7	35 / 2.4	80 / 36	140 / 64	170 / 77	34 / 15	57 / 26	79 / 36	
		50 / 3.4	83 / 38	140 / 64	180 / 82	46 / 21	71 / 32	97 / 44	
		75 / 5.2	87 / 39	150 / 68	190 / 86	66 / 30	95 / 43	130 / 59	
10 to 50 / 0.7 to 3.4	10 / 0.7	25 / 1.7	26 / 12	38 / 17	63 / 29	24 / 11	35 / 16	58 / 26	
		50 / 3.4	35 / 16	46 / 21	66 / 30	32 / 15	42 / 19	61 / 28	
		100 / 6.9	53 / 24	62 / 28	74 / 34	49 / 22	57 / 26	70 / 32	
	25 / 1.7	50 / 3.4	63 / 29	110 / 50	170 / 77	58 / 26	100 / 45	140 / 64	
		75 / 5.2	70 / 32	130 / 59	180 / 82	65 / 29	120 / 54	160 / 73	
		100 / 6.9	79 / 36	150 / 68	200 / 91	70 / 32	150 / 68	180 / 82	
	50 / 3.4	75 / 5.2	170 / 77	270 / 123	330 / 150	130 / 59	170 / 77	230 / 104	
		100 / 6.9	180 / 82	280 / 127	350 / 159	130 / 59	190 / 86	250 / 114	
		125 / 8.6	200 / 91	300 / 136	370 / 168	130 / 59	200 / 91	270 / 123	
25 to 90 / 1.7 to 6.2	25 / 1.7	50 / 3.4	79 / 36	120 / 54	160 / 73	39 / 18	79 / 36	86 / 39	
		100 / 6.9	110 / 50	150 / 68	190 / 86	72 / 33	120 / 54	140 / 64	
		125 / 8.6	120 / 54	170 / 77	210 / 95	89 / 40	130 / 59	160 / 73	
	50 / 3.4	75 / 5.2	150 / 68	220 / 100	300 / 136	91 / 41	150 / 68	210 / 95	
		100 / 6.9	160 / 73	240 / 109	320 / 145	110 / 50	180 / 82	240 / 109	
		125 / 8.6	180 / 82	260 / 118	340 / 154	140 / 64	210 / 95	270 / 123	
	75 / 5.2	150 / 10	190 / 86	280 / 127	370 / 168	160 / 73	240 / 109	300 / 136	
		100 / 6.9	230 / 104	370 / 168	410 / 186	140 / 64	210 / 95	300 / 136	
		125 / 8.6	250 / 114	380 / 173	450 / 204	160 / 73	250 / 114	330 / 150	
	90 / 6.2	150 / 10	260 / 118	390 / 177	470 / 213	190 / 86	280 / 127	370 / 168	
		175 / 12	280 / 127	410 / 186	500 / 227	210 / 95	310 / 141	400 / 182	
		100 / 6.9	250 / 114	360 / 163	390 / 177	170 / 77	270 / 123	370 / 168	
	35 to 135 / 2.4 to 9.3	35 / 2.4	125 / 8.6	270 / 123	390 / 177	470 / 213	190 / 86	300 / 136	400 / 182
			150 / 10	290 / 132	420 / 191	520 / 236	210 / 95	320 / 145	430 / 195
			175 / 12	310 / 141	500 / 227	660 / 300	230 / 104	350 / 159	460 / 209
50 / 3.4	50 / 3.4	96 / 44	140 / 64	180 / 82	54 / 25	73 / 33	110 / 50		
	75 / 5.2	110 / 50	160 / 73	200 / 91	78 / 35	110 / 50	140 / 64		
	100 / 6.9	120 / 54	180 / 82	220 / 100	100 / 45	140 / 64	180 / 82		
	125 / 8.6	140 / 64	200 / 91	250 / 114	130 / 59	170 / 77	220 / 100		
	75 / 5.2	150 / 68	210 / 95	290 / 132	110 / 50	160 / 73	210 / 95		
	100 / 6.9	160 / 73	230 / 104	300 / 136	120 / 54	180 / 82	230 / 104		
	125 / 8.6	170 / 77	240 / 109	320 / 145	140 / 64	200 / 91	260 / 118		
	150 / 10	180 / 82	260 / 118	340 / 154	150 / 68	220 / 100	290 / 132		
	75 / 5.2	100 / 6.9	210 / 95	320 / 145	410 / 186	150 / 68	230 / 104	310 / 141	
100 / 6.9	125 / 8.6	220 / 100	340 / 154	440 / 200	170 / 77	260 / 118	330 / 150		
	150 / 10	230 / 104	360 / 163	470 / 213	190 / 86	280 / 127	360 / 163		
	175 / 12	240 / 109	380 / 173	500 / 227	200 / 91	300 / 136	400 / 182		
	125 / 8.6	270 / 123	440 / 200	500 / 227	190 / 86	310 / 141	410 / 186		
	150 / 10	290 / 132	460 / 209	560 / 254	200 / 91	330 / 150	450 / 204		
	175 / 12	310 / 141	480 / 218	600 / 272	220 / 100	360 / 163	480 / 218		
	200 / 14	330 / 150	500 / 227		230 / 104	380 / 173			
	150 / 10	390 / 177	530 / 241	570 / 259	230 / 104	400 / 182	550 / 250		
	135 / 9.3	175 / 12	390 / 177	600 / 272	690 / 313	260 / 118	430 / 195	580 / 263	
	200 / 14	390 / 177	660 / 300	780 / 354	290 / 132	450 / 204	600 / 272		

Shaded areas indicate conditions where maximum differential pressure for the spring range is exceeded.

Table 9. Steam Capacities for 1 In. / 25 mm Body Size (continued)

SPRING RANGE, psig / bar	SET PRESSURE, psig / bar	INLET PRESSURE, psig / bar	CAPACITIES IN POUNDS PER HOUR / kg/h OF SATURATED STEAM AT % DROOP						
			1 In. / 25 mm Body Size						
			Elastomer Diaphragm			Metal Diaphragm			
			10%	20%	30%	10%	20%	30%	
2 to 8 / 0.2 to 0.5	2 / 0.2	10 / 0.7	28 / 13	28 / 13	30 / 14	Not Available			
		25 / 1.7	47 / 21	56 / 25	57 / 26				
		50 / 3.4	78 / 35	102 / 46	103 / 47				
	5 / 0.4	10 / 0.7	29 / 13	30 / 14	65 / 30				
		25 / 1.7	41 / 19	52 / 24	85 / 39				
		50 / 3.4	61 / 28	87 / 39	120 / 54				
	8 / 0.5	10 / 0.7	65 / 30	86 / 39	93 / 42				
		25 / 1.7	90 / 41	100 / 45	110 / 50				
		50 / 3.4	132 / 60	134 / 61	133 / 60				
5 to 25 / 0.4 to 1.7	5 / 0.4	25 / 1.7	45 / 20	56 / 25	85 / 39	41 / 19	50 / 23	76 / 34	
		50 / 3.4	70 / 32	87 / 39	110 / 50	63 / 29	78 / 35	100 / 45	
		75 / 5.2	95 / 43	120 / 54	150 / 68	90 / 41	110 / 50	130 / 59	
	15 / 1.1	25 / 1.7	110 / 50	110 / 50	220 / 100	51 / 23	66 / 30	91 / 41	
		50 / 3.4	120 / 54	160 / 73	250 / 114	85 / 39	110 / 50	140 / 64	
		75 / 5.2	140 / 64	200 / 91	280 / 127	120 / 54	150 / 68	190 / 86	
	25 / 1.7	35 / 2.4	190 / 86	290 / 132	380 / 173	65 / 30	97 / 44	160 / 73	
		50 / 3.4	210 / 95	310 / 141	410 / 186	91 / 41	130 / 59	190 / 86	
		75 / 5.2	250 / 114	350 / 159	450 / 204	130 / 59	180 / 82	250 / 114	
10 to 50 / 0.7 to 3.4	10 / 0.7	25 / 1.7	73 / 33	110 / 50	168 / 76	52 / 24	56 / 25	70 / 32	
		50 / 3.4	110 / 50	150 / 68	204 / 93	85 / 39	96 / 44	110 / 50	
		100 / 6.9	170 / 77	230 / 104	281 / 128	151 / 69	180 / 82	200 / 91	
	25 / 1.7	50 / 3.4	200 / 91	330 / 150	440 / 200	96 / 44	120 / 54	170 / 77	
		75 / 5.2	240 / 109	380 / 173	490 / 222	136 / 62	170 / 77	230 / 104	
		100 / 6.9	290 / 132	430 / 195	540 / 245	180 / 82	220 / 100	290 / 132	
	50 / 3.4	75 / 5.2	440 / 200	700 / 318	840 / 381	180 / 82	290 / 132	430 / 195	
		100 / 6.9	500 / 227	760 / 345	900 / 409	210 / 95	320 / 145	470 / 213	
		125 / 8.6	560 / 254	810 / 368	1000 / 454	240 / 109	360 / 163	510 / 232	
25 to 90 / 1.7 to 6.2	25 / 1.7	50 / 3.4	110 / 50	230 / 104	370 / 168	113 / 51	170 / 77	240 / 109	
		100 / 6.9	240 / 109	340 / 154	490 / 222	189 / 86	250 / 114	350 / 159	
		125 / 8.6	300 / 136	400 / 182	550 / 250	227 / 103	300 / 136	410 / 186	
	50 / 3.4	75 / 5.2	390 / 177	590 / 268	800 / 363	205 / 93	360 / 163	590 / 268	
		100 / 6.9	430 / 195	650 / 295	860 / 390	230 / 104	400 / 182	630 / 286	
		125 / 8.6	480 / 218	710 / 322	920 / 418	260 / 118	440 / 200	660 / 300	
	75 / 5.2	150 / 10	520 / 236	770 / 350	980 / 445	290 / 132	490 / 222	700 / 318	
		100 / 6.9	550 / 250	860 / 390	1040 / 472	290 / 132	500 / 227	780 / 354	
		125 / 8.6	610 / 277	950 / 431	1150 / 522	350 / 159	570 / 259	850 / 386	
	90 / 6.2	150 / 10	670 / 304	1040 / 472	1270 / 577	400 / 182	640 / 291	920 / 418	
		175 / 12	740 / 336	1130 / 513	1380 / 627	460 / 209	710 / 322	990 / 449	
		100 / 6.9	590 / 268	860 / 390	980 / 445	310 / 141	550 / 250	840 / 381	
	35 to 135 / 2.4 to 9.3	35 / 2.4	125 / 8.6	680 / 309	990 / 449	1170 / 531	360 / 163	620 / 281	920 / 418
			150 / 10	760 / 345	1120 / 508	1340 / 608	400 / 182	690 / 313	1000 / 454
			175 / 12	850 / 386	1250 / 568	1510 / 686	440 / 200	760 / 345	1080 / 490
35 to 135 / 2.4 to 9.3	50 / 3.4	50 / 3.4	170 / 77	280 / 127	400 / 182	150 / 68	250 / 114	340 / 154	
		75 / 5.2	230 / 104	350 / 159	480 / 218	210 / 95	300 / 136	400 / 182	
		100 / 6.9	280 / 127	420 / 191	550 / 250	240 / 109	340 / 154	460 / 209	
	50 / 3.4	125 / 8.6	340 / 154	490 / 222	630 / 286	280 / 127	380 / 173	520 / 236	
		75 / 5.2	370 / 168	520 / 236	660 / 300	210 / 95	330 / 150	470 / 213	
		100 / 6.9	390 / 177	570 / 259	730 / 331	260 / 118	390 / 177	540 / 245	
	75 / 5.2	125 / 8.6	420 / 191	630 / 286	800 / 363	310 / 141	450 / 204	600 / 272	
		150 / 10	440 / 200	690 / 313	870 / 395	360 / 163	510 / 232	660 / 300	
		100 / 6.9	500 / 227	830 / 377	1030 / 468	240 / 109	410 / 186	670 / 304	
100 / 6.9	125 / 8.6	570 / 259	900 / 409	1140 / 518	320 / 145	520 / 236	780 / 354		
	150 / 10	640 / 291	970 / 440	1250 / 568	400 / 182	620 / 281	890 / 404		
	175 / 12	700 / 318	1050 / 477	1360 / 617	480 / 218	720 / 327	1000 / 454		
135 / 9.3	125 / 8.6	660 / 300	1100 / 499	1270 / 577	390 / 177	640 / 291	910 / 413		
	150 / 10	720 / 327	1190 / 540	1510 / 686	440 / 200	730 / 331	1020 / 463		
	175 / 12	780 / 354	1280 / 581	1660 / 754	500 / 227	820 / 372	1140 / 518		
135 / 9.3	200 / 14	840 / 381	1370 / 622		560 / 254	910 / 413			
	150 / 10	460 / 209	1300 / 590	1430 / 649	420 / 191	890 / 404	1270 / 577		
	175 / 12	820 / 372	1580 / 717	1750 / 795	590 / 268	1010 / 459	1440 / 654		
200 / 14	1180 / 536	1810 / 822	2050 / 931	660 / 300	1120 / 508	1610 / 731			

Shaded areas indicate conditions where maximum differential pressure for the spring range is exceeded.

Type SR5

Table 9. Steam Capacities for 1-1/2 x 1 In. / 40 x 25 mm Body Size (continued)

SPRING RANGE, psig / bar	SET PRESSURE, psig / bar	INLET PRESSURE, psig / bar	CAPACITIES IN POUNDS PER HOUR / kg/h OF SATURATED STEAM AT % DROOP						
			1-1/2 x 1 In. / 40 x 25 mm Body Size						
			Elastomer Diaphragm			Metal Diaphragm			
			10%	20%	30%	10%	20%	30%	
2 to 8 / 0.2 to 0.5	2 / 0.2	10 / 0.7	31 / 14	31 / 14	33 / 15	Not Available			
		25 / 1.7	51 / 23	61 / 28	63 / 29				
		50 / 3.4	85 / 39	112 / 51	113 / 51				
	5 / 0.4	10 / 0.7	31 / 14	33 / 15	71 / 32				
		25 / 1.7	45 / 20	57 / 26	93 / 42				
		50 / 3.4	67 / 30	96 / 44	131 / 59				
	8 / 0.5	10 / 0.7	72 / 33	94 / 43	102 / 46				
		25 / 1.7	99 / 45	110 / 50	120 / 54				
		50 / 3.4	145 / 66	146 / 66	146 / 66				
5 to 25 / 0.4 to 1.7	5 / 0.4	25 / 1.7	50 / 23	61 / 28	93 / 42	45 / 20	55 / 25	84 / 38	
		50 / 3.4	77 / 35	95 / 43	130 / 59	70 / 32	86 / 39	110 / 50	
		75 / 5.2	105 / 48	130 / 59	160 / 73	100 / 45	120 / 54	150 / 68	
	15 / 1.1	25 / 1.7	120 / 54	120 / 54	240 / 109	56 / 25	72 / 33	99 / 45	
		50 / 3.4	130 / 59	170 / 77	270 / 123	93 / 42	120 / 54	150 / 68	
		75 / 5.2	150 / 68	220 / 100	300 / 136	130 / 59	170 / 77	210 / 95	
	25 / 1.7	35 / 2.4	210 / 95	310 / 141	420 / 191	71 / 32	106 / 48	170 / 77	
		50 / 3.4	230 / 104	340 / 154	450 / 204	100 / 45	140 / 64	210 / 95	
		75 / 5.2	270 / 123	380 / 173	490 / 222	150 / 68	190 / 86	270 / 123	
10 to 50 / 0.7 to 3.4	10 / 0.7	25 / 1.7	80 / 36	120 / 54	184 / 84	57 / 26	61 / 28	77 / 35	
		50 / 3.4	120 / 54	160 / 73	224 / 102	93 / 42	105 / 48	120 / 54	
		100 / 6.9	190 / 86	250 / 114	309 / 140	166 / 75	190 / 86	220 / 100	
	25 / 1.7	50 / 3.4	220 / 100	370 / 168	490 / 222	105 / 48	130 / 59	190 / 86	
		75 / 5.2	270 / 123	420 / 191	540 / 245	149 / 68	190 / 86	250 / 114	
		100 / 6.9	320 / 145	470 / 213	600 / 272	190 / 86	240 / 109	320 / 145	
	50 / 3.4	75 / 5.2	480 / 218	770 / 350	880 / 400	200 / 91	320 / 145	470 / 213	
		100 / 6.9	550 / 250	830 / 377	980 / 445	230 / 104	350 / 159	520 / 236	
		125 / 8.6	610 / 277	890 / 404	1090 / 495	260 / 118	390 / 177	560 / 254	
25 to 90 / 1.7 to 6.2	25 / 1.7	50 / 3.4	120 / 54	250 / 114	410 / 186	124 / 56	180 / 82	260 / 118	
		100 / 6.9	260 / 118	380 / 173	530 / 241	207 / 94	280 / 127	390 / 177	
		125 / 8.6	330 / 150	440 / 200	600 / 272	249 / 113	330 / 150	450 / 204	
	50 / 3.4	75 / 5.2	420 / 191	650 / 295	870 / 395	225 / 102	390 / 177	650 / 295	
		100 / 6.9	470 / 213	720 / 327	940 / 427	260 / 118	440 / 200	680 / 309	
		125 / 8.6	520 / 236	780 / 354	1000 / 454	290 / 132	490 / 222	720 / 327	
	75 / 5.2	150 / 10	570 / 259	850 / 386	1080 / 490	320 / 145	530 / 241	760 / 345	
		100 / 6.9	600 / 272	940 / 427	1110 / 504	320 / 145	550 / 250	850 / 386	
		125 / 8.6	670 / 304	1040 / 472	1260 / 572	380 / 173	620 / 281	930 / 422	
	90 / 6.2	150 / 10	740 / 336	1140 / 518	1390 / 631	440 / 200	700 / 318	1010 / 459	
		175 / 12	810 / 368	1240 / 563	1510 / 686	500 / 227	780 / 354	1090 / 495	
		100 / 6.9	650 / 295	940 / 427	1040 / 472	340 / 154	610 / 277	930 / 422	
	35 to 135 / 2.4 to 9.3	35 / 2.4	125 / 8.6	740 / 336	1090 / 495	1280 / 581	390 / 177	680 / 309	1010 / 459
			150 / 10	840 / 381	1230 / 558	1470 / 667	440 / 200	760 / 345	1090 / 495
			175 / 12	930 / 422	1370 / 622	1650 / 749	490 / 222	840 / 381	1180 / 536
35 to 135 / 2.4 to 9.3	50 / 3.4	50 / 3.4	190 / 86	300 / 136	440 / 200	170 / 77	280 / 127	370 / 168	
		75 / 5.2	250 / 114	380 / 173	520 / 236	230 / 104	320 / 145	440 / 200	
		100 / 6.9	310 / 141	460 / 209	600 / 272	260 / 118	370 / 168	500 / 227	
		125 / 8.6	370 / 168	540 / 245	690 / 313	300 / 136	420 / 191	570 / 259	
	75 / 5.2	75 / 5.2	400 / 182	570 / 259	720 / 327	230 / 104	360 / 163	520 / 236	
		100 / 6.9	430 / 195	630 / 286	800 / 363	290 / 132	430 / 195	590 / 268	
		125 / 8.6	460 / 209	690 / 313	870 / 395	340 / 154	490 / 222	660 / 300	
		150 / 10	480 / 218	760 / 345	960 / 436	390 / 177	560 / 254	730 / 331	
	100 / 6.9	100 / 6.9	550 / 250	910 / 413	1110 / 504	260 / 118	450 / 204	730 / 331	
		125 / 8.6	630 / 286	990 / 449	1250 / 568	350 / 159	570 / 259	850 / 386	
		150 / 10	700 / 318	1070 / 486	1370 / 622	440 / 200	680 / 309	970 / 440	
		175 / 12	770 / 350	1150 / 522	1490 / 676	530 / 241	790 / 359	1090 / 495	
135 / 9.3	125 / 8.6	720 / 327	1210 / 549	1340 / 608	420 / 191	710 / 322	1000 / 454		
	150 / 10	790 / 359	1310 / 595	1640 / 745	490 / 222	800 / 363	1120 / 508		
	175 / 12	850 / 386	1410 / 640	1810 / 822	550 / 250	900 / 409	1240 / 563		
	200 / 14	920 / 418	1500 / 681		610 / 277	1000 / 454			
35 to 135 / 2.4 to 9.3	135 / 9.3	150 / 10	510 / 232	1390 / 631	1510 / 686	460 / 209	980 / 445	1390 / 631	
		175 / 12	910 / 413	1740 / 790	1850 / 840	650 / 295	1100 / 499	1580 / 717	
		200 / 14	1300 / 590	1990 / 903	2150 / 976	720 / 327	1230 / 558	1770 / 804	

Shaded areas indicate conditions where maximum differential pressure for the spring range is exceeded.

Table 9. Steam Capacities for 1-1/2 In. / 40 mm Body Size with Full Port (continued)

SPRING RANGE, psig / bar	SET PRESSURE, psig / bar	INLET PRESSURE, psig / bar	CAPACITIES IN POUNDS PER HOUR / kg/h OF SATURATED STEAM AT % DROOP					
			1-1/2 In. / 40 mm Body Size					
			Elastomer Diaphragm			Metal Diaphragm		
			10%	20%	30%	10%	20%	30%
5 to 25 / 0.4 to 1.7	5 / 0.4	25 / 1.7	110 / 50	200 / 91	240 / 109	84 / 38	80 / 36	90 / 41
		50 / 3.4	220 / 100	260 / 118	300 / 136	150 / 68	170 / 77	200 / 91
		75 / 5.2	290 / 132	320 / 145	370 / 168	220 / 100	250 / 114	310 / 141
	15 / 1.0	25 / 1.7	110 / 50	240 / 109	370 / 168	100 / 45	130 / 59	180 / 82
		50 / 3.4	240 / 109	360 / 163	490 / 222	180 / 82	230 / 104	310 / 141
		75 / 5.2	360 / 163	490 / 222	620 / 281	260 / 118	330 / 150	430 / 195
	25 / 1.7	25 / 1.7	220 / 100	410 / 186	530 / 241	110 / 50	160 / 73	280 / 127
		50 / 3.4	310 / 141	510 / 232	670 / 304	160 / 73	230 / 104	370 / 168
		75 / 5.2	470 / 213	680 / 309	890 / 404	250 / 114	350 / 159	500 / 227
10 to 50 / 0.7 to 3.4	10 / 0.7	25 / 1.7	89 / 40	130 / 59	200 / 91	90 / 41	130 / 59	190 / 86
		50 / 3.4	160 / 73	220 / 100	290 / 132	160 / 73	220 / 100	280 / 127
		100 / 6.9	240 / 109	310 / 141	380 / 173	240 / 109	300 / 136	370 / 168
	25 / 1.7	50 / 3.4	230 / 104	430 / 195	620 / 281	200 / 91	330 / 150	470 / 213
		75 / 5.2	350 / 159	540 / 245	740 / 336	280 / 127	420 / 191	590 / 268
		100 / 6.9	470 / 213	660 / 300	860 / 390	350 / 159	510 / 232	700 / 318
	50 / 3.4	75 / 5.2	750 / 341	1230 / 558	1590 / 722	410 / 186	660 / 300	910 / 413
		100 / 6.9	820 / 372	1330 / 604	1660 / 754	560 / 254	840 / 381	1090 / 495
		125 / 8.6	880 / 400	1440 / 654	1740 / 790	700 / 318	1030 / 468	1270 / 577
25 to 75 / 1.7 to 5.2	25 / 1.7	50 / 3.4	370 / 168	500 / 227	680 / 309	240 / 109	430 / 195	550 / 250
		100 / 6.9	640 / 291	890 / 404	1070 / 486	390 / 177	550 / 250	700 / 318
		125 / 8.6	780 / 354	1090 / 495	1260 / 572	470 / 213	610 / 277	780 / 354
	50 / 3.4	75 / 5.2	620 / 281	950 / 431	1260 / 572	410 / 186	670 / 304	850 / 386
		100 / 6.9	700 / 318	1110 / 504	1400 / 636	420 / 191	740 / 336	950 / 431
		125 / 8.6	780 / 354	1270 / 577	1540 / 699	430 / 195	800 / 363	1050 / 477
	75 / 5.2	150 / 10	860 / 390	1420 / 645	1690 / 767	450 / 204	870 / 395	1150 / 522
		100 / 6.9	790 / 359	1150 / 522	1700 / 772	650 / 295	910 / 413	1270 / 577
		125 / 8.6	1010 / 459	1420 / 645	1950 / 885	730 / 331	1060 / 481	1440 / 654
35 to 100 / 2.4 to 6.9	35 / 2.4	150 / 10	1230 / 558	1680 / 763	2200 / 999	820 / 372	1210 / 549	1610 / 731
		175 / 12	1450 / 658	1950 / 885	2450 / 1112	910 / 413	1370 / 622	1780 / 808
		50 / 3.4	300 / 136	480 / 218	680 / 309	300 / 136	410 / 186	560 / 254
		75 / 5.2	390 / 177	600 / 272	810 / 368	380 / 172	490 / 222	660 / 300
	50 / 3.4	100 / 6.9	470 / 213	710 / 322	950 / 431	470 / 213	580 / 263	760 / 345
		125 / 8.6	560 / 254	830 / 377	1080 / 490	550 / 249	660 / 300	860 / 390
		75 / 5.2	610 / 277	910 / 413	1150 / 522	360 / 163	520 / 236	750 / 341
		100 / 6.9	670 / 304	1000 / 454	1260 / 572	400 / 182	580 / 263	840 / 381
	75 / 5.2	125 / 8.6	720 / 327	1100 / 499	1380 / 627	440 / 200	650 / 295	920 / 418
150 / 10		770 / 350	1190 / 540	1500 / 681	480 / 218	720 / 327	1010 / 459	
100 / 6.9		890 / 404	1340 / 608	1760 / 799	460 / 209	760 / 345	1130 / 513	
125 / 8.6		960 / 436	1400 / 636	1870 / 849	560 / 254	930 / 422	1310 / 595	
100 / 6.9	150 / 10	1020 / 463	1480 / 672	1990 / 903	650 / 295	1090 / 495	1480 / 672	
	175 / 12	1090 / 495	1550 / 704	2110 / 958	750 / 341	1260 / 572	1660 / 754	
	125 / 8.6	800 / 363	1480 / 672	2190 / 994	770 / 350	1210 / 549	1660 / 754	
	150 / 10	1160 / 527	1740 / 790	2480 / 1126	890 / 404	1380 / 627	1840 / 835	
200 / 14	175 / 12	1520 / 690	2000 / 908	2770 / 1258	1020 / 463	1540 / 699	2020 / 917	
	200 / 14	1880 / 854	2250 / 1022		1140 / 518	1700 / 772		

Shaded areas indicate conditions where maximum differential pressure for the spring range is exceeded.

Type SR5

Table 9. Steam Capacities for 2 In. / 50 mm Body Size (continued)

SPRING RANGE, psig / bar	SET PRESSURE, psig / bar	INLET PRESSURE, psig / bar	CAPACITIES IN POUNDS PER HOUR / kg/h OF SATURATED STEAM AT % DROOP						
			2 In. / 50 mm Body Size						
			Elastomer Diaphragm			Metal Diaphragm			
			10%	20%	30%	10%	20%	30%	
10 to 25 / 0.7 to 1.7	10 / 0.7	25 / 1.7	420 / 191	590 / 268	810 / 368	360 / 163	510 / 232	600 / 272	
		50 / 3.4	650 / 295	770 / 350	1090 / 495	490 / 222	650 / 295	790 / 359	
	15 / 1.0	25 / 1.7	540 / 245	760 / 345	1070 / 486	370 / 168	550 / 250	770 / 350	
		50 / 3.4	650 / 295	1020 / 463	1390 / 631	550 / 250	730 / 331	1000 / 454	
	25 / 1.7	50 / 3.4	890 / 404	1510 / 686	2000 / 908	670 / 304	930 / 422	1350 / 613	
		75 / 5.2	1060 / 481	1700 / 772	2200 / 999	760 / 345	1160 / 527	1570 / 713	
15 to 50 / 1.0 to 3.4	15 / 1.0	25 / 1.7	480 / 218	650 / 295	920 / 418	360 / 163	520 / 236	650 / 295	
		50 / 3.4	630 / 286	840 / 381	1160 / 527	520 / 236	680 / 309	880 / 400	
		75 / 5.2	760 / 345	1010 / 459	1310 / 595	670 / 304	830 / 377	1080 / 490	
		100 / 6.9	870 / 395	1160 / 527	1440 / 654	800 / 363	960 / 436	1250 / 568	
		125 / 8.6	960 / 436	1280 / 581	1590 / 722	920 / 418	1080 / 490	1410 / 640	
	25 / 1.7	50 / 3.4	670 / 304	1290 / 586	1630 / 740	620 / 281	870 / 395	1240 / 563	
		75 / 5.2	890 / 404	1500 / 681	1920 / 872	760 / 345	1110 / 504	1500 / 681	
		100 / 6.9	1060 / 481	1700 / 772	2160 / 981	860 / 390	1310 / 595	1690 / 767	
	50 / 3.4	125 / 8.6	1190 / 540	1850 / 840	2340 / 1062	940 / 427	1470 / 667	1820 / 826	
		75 / 5.2	1400 / 636	2310 / 1049	3010 / 1367	930 / 422	1630 / 740	2340 / 1062	
		100 / 6.9	1790 / 813	2700 / 1226	3350 / 1521	1240 / 563	2050 / 931	2710 / 1230	
		125 / 8.6	2010 / 913	2920 / 1326	3630 / 1648	1430 / 649	2300 / 1044	2970 / 1348	
	25 to 75 / 1.7 to 5.2	25 / 1.7	150 / 10	2150 / 976	3060 / 1389	3850 / 1748	1580 / 717	2460 / 1117	3180 / 1444
			50 / 3.4	770 / 350	1190 / 540	1490 / 676	590 / 268	790 / 359	1120 / 508
			75 / 5.2	870 / 395	1420 / 645	1830 / 831	770 / 350	1040 / 472	1380 / 627
100 / 6.9			1090 / 495	1640 / 745	2050 / 931	880 / 400	1260 / 572	1620 / 735	
125 / 8.6			1260 / 572	1840 / 835	2180 / 990	950 / 431	1440 / 654	1820 / 826	
50 / 3.4		150 / 10	1320 / 599	1990 / 903	2280 / 1035	1010 / 459	1580 / 717	1970 / 894	
		75 / 5.2	1340 / 608	2210 / 1003	2850 / 1294	900 / 409	1560 / 708	2250 / 1022	
		100 / 6.9	1430 / 649	2460 / 1117	3150 / 1430	1170 / 531	1880 / 854	2580 / 1171	
		125 / 8.6	1670 / 758	2710 / 1230	3480 / 1580	1380 / 627	2130 / 967	2850 / 1294	
		150 / 10	1960 / 890	2950 / 1339	3790 / 1721	1550 / 704	2350 / 1067	3080 / 1398	
75 / 5.2		175 / 12	2200 / 999	3150 / 1430	4010 / 1821	1710 / 776	2540 / 1153	3300 / 1498	
		100 / 6.9	2010 / 913	3080 / 1398	3830 / 1739	1450 / 658	2610 / 1185	3620 / 1643	
		125 / 8.6	2170 / 985	3470 / 1575	4290 / 1948	1690 / 767	2830 / 1285	3980 / 1807	
		150 / 10	2350 / 1067	3700 / 1680	4660 / 2116	1850 / 840	3130 / 1421	4350 / 1975	
		175 / 12	2560 / 1162	3910 / 1775	4960 / 2252	2040 / 926	3410 / 1548	4640 / 2107	

Table 9. Steam Capacities for 3 In. / 80 mm Body Size (continued)

SPRING RANGE, psig / bar	SET PRESSURE, psig / bar	INLET PRESSURE, psig / bar	CAPACITIES IN POUNDS PER HOUR / kg/h OF SATURATED STEAM AT % DROOP						
			3 In. / 80 mm Body Size						
			Elastomer Diaphragm			Metal Diaphragm			
			10%	20%	30%	10%	20%	30%	
10 to 25 / 0.7 to 1.7	10 / 0.7	25 / 1.7	470 / 213	720 / 327	1030 / 468	330 / 150	470 / 213	590 / 268	
		50 / 3.4	680 / 309	1030 / 468	1440 / 654	420 / 191	640 / 291	750 / 341	
	15 / 1.0	25 / 1.7	540 / 245	890 / 404	1310 / 595	360 / 163	510 / 232	770 / 350	
		50 / 3.4	900 / 409	1430 / 649	1890 / 858	530 / 241	690 / 313	1020 / 463	
	25 / 1.7	50 / 3.4	1290 / 586	2000 / 908	2480 / 1126	660 / 300	920 / 418	1380 / 627	
		75 / 5.2	1310 / 595	2320 / 1053	2910 / 1321	760 / 345	1250 / 568	1780 / 808	
15 to 50 / 1.0 to 3.4	15 / 1.0	25 / 1.7	530 / 241	750 / 341	1020 / 463	320 / 145	480 / 218	650 / 295	
		50 / 3.4	690 / 313	1040 / 472	1470 / 667	510 / 232	700 / 318	950 / 431	
		75 / 5.2	910 / 413	1360 / 617	1770 / 804	680 / 309	910 / 413	1230 / 558	
		100 / 6.9	1150 / 522	1700 / 772	2030 / 922	830 / 377	1100 / 499	1470 / 667	
		125 / 8.6	1390 / 631	2010 / 913	2300 / 1044	950 / 431	1260 / 572	1680 / 763	
	25 / 1.7	50 / 3.4	880 / 400	1540 / 699	2070 / 940	670 / 304	880 / 400	1230 / 558	
		75 / 5.2	1190 / 540	1900 / 863	2550 / 1158	790 / 359	1140 / 518	1660 / 754	
		100 / 6.9	1360 / 617	2200 / 999	2900 / 1317	900 / 409	1420 / 645	2000 / 908	
	50 / 3.4	125 / 8.6	1490 / 676	2390 / 1085	3180 / 1444	1030 / 468	1680 / 763	2260 / 1026	
		75 / 5.2	1860 / 844	2870 / 1303	3700 / 1680	910 / 413	1650 / 749	2430 / 1103	
		100 / 6.9	2130 / 967	3440 / 1562	4320 / 1961	1220 / 554	2040 / 926	3020 / 1371	
		125 / 8.6	2420 / 1099	3850 / 1748	4940 / 2243	1420 / 645	2350 / 1067	3430 / 1557	
	25 to 75 / 1.7 to 5.2	25 / 1.7	150 / 10	2700 / 1226	4180 / 1898	5370 / 2438	1580 / 717	2630 / 1194	3740 / 1698
			50 / 3.4	830 / 377	1440 / 654	2030 / 922	640 / 291	960 / 436	1310 / 595
			75 / 5.2	990 / 449	1710 / 776	2330 / 1058	740 / 336	1180 / 536	1620 / 735
100 / 6.9			1240 / 563	2010 / 913	2640 / 1199	850 / 386	1410 / 640	1910 / 867	
125 / 8.6			1560 / 708	2300 / 1044	2940 / 1335	990 / 449	1620 / 735	2160 / 981	
50 / 3.4		150 / 10	1820 / 826	2580 / 1171	3220 / 1462	1140 / 518	1830 / 831	2380 / 1081	
		75 / 5.2	1610 / 731	2610 / 1185	3370 / 1530	890 / 404	1590 / 722	2300 / 1044	
		100 / 6.9	1870 / 849	3170 / 1439	4160 / 1889	1220 / 554	1880 / 854	2810 / 1276	
		125 / 8.6	2310 / 1049	3600 / 1634	4670 / 2120	1400 / 636	2230 / 1012	3220 / 1462	
		150 / 10	2600 / 1180	3990 / 1811	5060 / 2297	1540 / 699	2580 / 1171	3580 / 1625	
75 / 5.2		175 / 12	2800 / 1271	4380 / 1989	5460 / 2479	1690 / 767	2910 / 1321	3900 / 1771	
		100 / 6.9	2190 / 994	3420 / 1553	4590 / 2084	1260 / 572	2300 / 1044	3560 / 1616	
		125 / 8.6	2520 / 1144	4340 / 1970	5470 / 2483	1590 / 722	2730 / 1239	4270 / 1939	
		150 / 10	2840 / 1289	5000 / 2270	6210 / 2819	1790 / 813	3060 / 1389	4710 / 2138	
		175 / 12	3140 / 1426	5440 / 2470	6820 / 3096	2110 / 958	3410 / 1548	4920 / 2234	

Type SR5

Table 10. Water Capacities for 1/2 In. / 15 mm Body Size

SPRING RANGE, psig / bar	SET PRESSURE, psig / bar	INLET PRESSURE, psig / bar	CAPACITIES IN GPM / l/min OF WATER AT % DROOP						
			1/2 In. / 15 mm Body Size						
			Elastomer Diaphragm			Metal Diaphragm			
			10%	20%	30%	10%	20%	30%	
2 to 8 / 0.2 to 0.5	2 / 0.2	10 / 0.7	0.6 / 2.3	0.9 / 3.4	1.2 / 4.5	Not Available			
		25 / 1.7	0.9 / 3.4	1.3 / 4.9	1.5 / 5.7				
		50 / 3.4	0.9 / 3.4	1.2 / 4.5	1.3 / 4.9				
	5 / 0.4	10 / 0.7	0.9 / 3.4	1.4 / 5.3	1.8 / 6.8				
		25 / 1.7	1.1 / 4.2	1.5 / 5.7	2.0 / 7.6				
		50 / 3.4	1.3 / 4.9	1.7 / 6.4	2.1 / 7.9				
	8 / 0.5	10 / 0.7	1.0 / 3.8	1.6 / 6.1	2.3 / 8.7				
		25 / 1.7	1.2 / 4.5	1.9 / 7.2	2.5 / 9.5				
		50 / 3.4	1.5 / 5.7	2.2 / 8.3	2.7 / 10				
5 to 25 / 0.4 to 1.7	5 / 0.4	25 / 1.7	1.1 / 4.2	1.6 / 6.1	2.0 / 7.6	1.0 / 3.8	1.2 / 4.5	1.5 / 5.7	
		50 / 3.4	1.3 / 4.9	1.6 / 6.1	2.0 / 7.6	1.1 / 4.2	1.4 / 5.3	1.7 / 6.4	
		75 / 5.2	1.3 / 4.9	1.6 / 6.1	1.8 / 6.8	1.1 / 4.2	1.4 / 5.3	1.7 / 6.4	
	15 / 1.1	25 / 1.7	1.7 / 6.4	2.7 / 10	3.4 / 13	1.0 / 3.8	1.7 / 6.4	2.4 / 9.1	
		50 / 3.4	2.1 / 7.9	2.9 / 11	3.6 / 14	1.5 / 5.7	2.2 / 8.3	2.8 / 11	
		75 / 5.2	2.3 / 8.7	3.0 / 11	3.6 / 14	1.8 / 6.8	2.5 / 9.5	3.0 / 11	
	25 / 1.7	35 / 2.4	2.4 / 9.1	3.5 / 13	4.5 / 17	1.3 / 4.9	2.3 / 8.7	3.3 / 12	
		50 / 3.4	2.5 / 9.5	3.6 / 14	4.6 / 17	1.6 / 6.1	2.6 / 9.8	3.6 / 14	
		75 / 5.2	2.7 / 10	3.8 / 14	4.7 / 18	2.0 / 7.6	3.0 / 11	3.8 / 14	
10 to 50 / 0.7 to 3.4	10 / 0.7	25 / 1.7	1.3 / 4.9	2.1 / 7.9	2.6 / 9.8	1.0 / 3.8	1.4 / 5.3	2.0 / 7.6	
		50 / 3.4	1.6 / 6.1	2.3 / 8.7	2.7 / 10	1.2 / 4.5	1.7 / 6.4	2.2 / 8.3	
		100 / 6.9	1.7 / 6.4	2.3 / 8.7	2.5 / 9.5	1.5 / 5.7	1.9 / 7.2	2.2 / 8.3	
	25 / 1.7	50 / 3.4	2.5 / 9.5	3.7 / 14	4.5 / 17	1.5 / 5.7	2.5 / 9.5	3.4 / 13	
		75 / 5.2	2.7 / 10	3.7 / 14	4.6 / 17	1.8 / 6.8	2.8 / 11	3.6 / 14	
		100 / 6.9	2.8 / 11	3.7 / 14	4.5 / 17	2.1 / 7.9	3.0 / 11	3.6 / 14	
	50 / 3.4	75 / 5.2	3.3 / 12	5.3 / 20	6.5 / 25	2.2 / 8.3	3.5 / 13	4.8 / 18	
		100 / 6.9	3.5 / 13	5.4 / 20	6.6 / 25	2.5 / 9.5	3.8 / 14	5.1 / 19	
		125 / 8.6	3.7 / 14	5.4 / 20	6.5 / 25	2.7 / 10	4.1 / 16	5.2 / 20	
25 to 90 / 1.7 to 6.2	25 / 1.7	50 / 3.4	2.1 / 7.9	3.3 / 12	4.1 / 16	1.6 / 6.1	2.5 / 9.5	3.1 / 12	
		100 / 6.9	2.5 / 9.5	3.5 / 13	4.1 / 16	2.1 / 7.9	2.8 / 11	3.3 / 12	
		125 / 8.6	2.5 / 9.5	3.4 / 13	3.9 / 15	2.2 / 8.3	2.8 / 11	3.3 / 12	
	50 / 3.4	75 / 5.2	3.2 / 12	4.8 / 18	6.2 / 23	2.2 / 8.3	3.4 / 13	4.5 / 17	
		100 / 6.9	3.3 / 12	5.0 / 19	6.2 / 23	2.5 / 9.5	3.6 / 14	4.7 / 18	
		125 / 8.6	3.5 / 13	5.1 / 19	6.2 / 23	2.7 / 10	3.8 / 14	4.8 / 18	
	75 / 5.2	150 / 10	3.6 / 14	5.1 / 19	6.1 / 23	2.9 / 11	4.0 / 15	4.8 / 18	
		100 / 6.9	3.8 / 14	5.7 / 22	7.5 / 28	2.4 / 9.1	4.0 / 15	5.5 / 21	
		125 / 8.6	4.0 / 15	5.9 / 22	7.6 / 29	2.7 / 10	4.3 / 16	5.8 / 22	
	90 / 6.2	150 / 10	4.3 / 16	6.1 / 23	7.7 / 29	3.1 / 12	4.7 / 18	6.0 / 23	
		175 / 12	4.5 / 17	6.2 / 23	7.7 / 29	3.4 / 13	4.9 / 19	6.2 / 23	
		100 / 6.9	3.7 / 14	5.7 / 22	6.8 / 26	2.3 / 8.7	4.0 / 15	5.8 / 22	
	35 to 135 / 2.4 to 9.3	35 / 2.4	125 / 8.6	3.9 / 15	6.0 / 23	7.3 / 28	2.6 / 9.8	4.4 / 17	6.1 / 23
			150 / 10	4.2 / 16	6.3 / 24	7.7 / 29	2.9 / 11	4.7 / 18	6.4 / 24
			175 / 12	4.4 / 17	6.5 / 25	8.1 / 31	3.3 / 12	5.0 / 19	6.6 / 25
35 to 135 / 2.4 to 9.3	50 / 3.4	50 / 3.4	2.1 / 8.0	3.4 / 13	4.4 / 17	1.5 / 5.7	2.5 / 9.5	3.3 / 12	
		75 / 5.2	2.4 / 9.0	3.7 / 14	4.6 / 17	1.8 / 6.8	2.7 / 10	3.6 / 14	
		100 / 6.9	2.7 / 10	3.9 / 15	4.7 / 18	2.0 / 7.6	3.0 / 11	3.7 / 14	
	50 / 3.4	125 / 8.6	2.9 / 11	4.1 / 16	4.8 / 18	2.2 / 8.3	3.1 / 12	3.8 / 14	
		75 / 5.2	3.1 / 12	4.6 / 17	5.8 / 22	2.0 / 7.6	3.2 / 12	4.4 / 17	
		100 / 6.9	3.3 / 12	4.8 / 18	5.9 / 22	2.3 / 8.7	3.5 / 13	4.6 / 17	
	75 / 5.2	125 / 8.6	3.5 / 13	4.9 / 19	5.9 / 22	2.6 / 9.8	3.8 / 14	4.7 / 18	
		150 / 10	3.6 / 14	5.0 / 19	5.9 / 22	2.8 / 11	4.0 / 15	4.8 / 18	
		100 / 6.9	3.6 / 14	5.9 / 22	7.4 / 28	2.6 / 9.8	4.1 / 16	5.6 / 21	
100 / 6.9	125 / 8.6	3.8 / 14	6.1 / 23	7.6 / 29	2.8 / 11	4.4 / 17	5.8 / 22		
	150 / 10	4.0 / 15	6.2 / 23	7.7 / 29	2.9 / 11	4.6 / 17	5.9 / 22		
	175 / 12	4.2 / 16	6.3 / 24	7.7 / 29	3.1 / 12	4.8 / 18	6.0 / 23		
135 / 9.3	125 / 8.6	4.3 / 16	7.0 / 26	8.4 / 32	2.9 / 11	4.8 / 18	6.5 / 25		
	150 / 10	4.7 / 18	7.4 / 28	8.8 / 33	3.2 / 12	5.1 / 19	6.8 / 26		
	175 / 12	5.0 / 19	7.6 / 29	9.1 / 34	3.5 / 13	5.4 / 20	7.1 / 27		
35 to 135 / 2.4 to 9.3	135 / 9.3	200 / 14	5.3 / 20	7.9 / 30		3.8 / 14	5.7 / 22		
		150 / 10	4.7 / 18	7.3 / 28	8.6 / 33	3.2 / 12	5.4 / 20	7.5 / 28	
		175 / 12	5.4 / 20	8.1 / 31	9.8 / 37	3.6 / 14	6.0 / 23	8.0 / 30	
35 to 135 / 2.4 to 9.3	135 / 9.3	200 / 14	6.2 / 23	9.0 / 34	11 / 42	4.0 / 15	6.6 / 25	8.5 / 32	

Shaded areas indicate conditions where maximum differential pressure for the spring range is exceeded.

Table 10. Water Capacities for 3/4 In. / 20 mm Body Size (continued)

SPRING RANGE, psig / bar	SET PRESSURE, psig / bar	INLET PRESSURE, psig / bar	CAPACITIES IN GPM / l/min OF WATER AT % DROOP						
			3/4 In. / 20 mm Body Size						
			Elastomer Diaphragm			Metal Diaphragm			
			10%	20%	30%	10%	20%	30%	
2 to 8 / 0.2 to 0.5	2 / 0.2	10 / 0.7	1.4 / 5.3	1.7 / 6.4	1.9 / 7.2	Not Available			
		25 / 1.7	1.7 / 6.4	1.9 / 7.2	2.2 / 8.3				
		50 / 3.4	1.9 / 7.2	2.1 / 7.9	2.4 / 9.1				
	5 / 0.4	10 / 0.7	1.9 / 7.2	2.6 / 9.8	3.6 / 14				
		25 / 1.7	2.2 / 8.3	3.1 / 12	4.1 / 16				
		50 / 3.4	2.4 / 9.1	3.7 / 14	4.8 / 18				
	8 / 0.5	10 / 0.7	2.1 / 7.9	3.6 / 14	4.7 / 18				
		25 / 1.7	2.3 / 8.7	3.9 / 15	5.4 / 20				
		50 / 3.4	2.6 / 9.8	4.1 / 16	6.1 / 23				
5 to 25 / 0.4 to 1.7	5 / 0.4	25 / 1.7	2.2 / 8.3	3.2 / 12	4.1 / 16	1.9 / 7.2	2.6 / 9.8	3.2 / 12	
		50 / 3.4	3.1 / 12	4.0 / 15	4.9 / 19	2.6 / 9.8	3.3 / 12	3.8 / 14	
		75 / 5.2	3.8 / 14	4.6 / 17	5.5 / 21	3.1 / 12	3.8 / 14	4.3 / 16	
	15 / 1.1	25 / 1.7	3.2 / 12	5.4 / 20	8.0 / 30	2.2 / 8.3	3.3 / 12	4.5 / 17	
		50 / 3.4	4.0 / 15	6.2 / 23	8.8 / 33	3.1 / 12	4.4 / 17	5.6 / 21	
		75 / 5.2	4.6 / 17	6.8 / 26	9.2 / 35	3.7 / 14	5.2 / 20	6.5 / 25	
	25 / 1.7	35 / 2.4	4.9 / 19	8.6 / 33	11.3 / 43	2.1 / 7.9	3.6 / 14	5.1 / 19	
		50 / 3.4	5.0 / 19	8.9 / 34	11.7 / 44	2.8 / 11	4.4 / 17	6.2 / 23	
		75 / 5.2	5.1 / 19	9.2 / 35	12.0 / 45	3.9 / 15	5.7 / 22	7.9 / 30	
10 to 50 / 0.7 to 3.4	10 / 0.7	25 / 1.7	2.0 / 7.6	3.0 / 11	5.0 / 19	1.8 / 6.8	2.8 / 11	4.6 / 17	
		50 / 3.4	2.5 / 9.5	3.4 / 13	4.9 / 19	2.3 / 8.7	3.1 / 12	4.5 / 17	
		100 / 6.9	3.2 / 12	3.8 / 14	4.5 / 17	3.0 / 11	3.5 / 13	4.2 / 16	
	25 / 1.7	50 / 3.4	3.8 / 14	7.1 / 27	11.0 / 42	3.5 / 13	6.3 / 24	8.9 / 34	
		75 / 5.2	4.2 / 16	7.8 / 30	11.3 / 43	3.8 / 14	7.4 / 28	9.9 / 37	
		100 / 6.9	4.4 / 17	8.3 / 31	11.4 / 43	4.1 / 16	8.4 / 32	10.6 / 40	
	50 / 3.4	75 / 5.2	8.0 / 30	13.5 / 51	17.1 / 65	6.1 / 23	8.6 / 33	11.7 / 44	
		100 / 6.9	8.6 / 33	14.0 / 53	18.0 / 68	6.2 / 23	9.2 / 35	12.6 / 48	
		125 / 8.6	9.1 / 34	14.3 / 54	18.2 / 69	6.2 / 23	9.7 / 37	13.3 / 50	
25 to 90 / 1.7 to 6.2	25 / 1.7	50 / 3.4	4.8 / 18	7.3 / 28	10.1 / 38	2.3 / 8.7	4.9 / 19	5.5 / 21	
		100 / 6.9	6.0 / 23	8.5 / 32	11.1 / 42	4.0 / 15	6.5 / 25	8.0 / 30	
		125 / 8.6	6.5 / 25	8.9 / 34	11.4 / 43	4.7 / 18	7.2 / 27	8.9 / 34	
	50 / 3.4	75 / 5.2	7.0 / 26	11.1 / 42	15.6 / 59	4.3 / 16	7.4 / 28	10.8 / 41	
		100 / 6.9	7.6 / 29	11.9 / 45	16.4 / 62	5.4 / 20	8.7 / 33	12.1 / 46	
		125 / 8.6	8.2 / 31	12.6 / 48	16.9 / 64	6.4 / 24	9.9 / 37	13.2 / 50	
	75 / 5.2	150 / 10	8.8 / 33	13.1 / 50	17.4 / 66	7.3 / 28	11.0 / 42	14.1 / 53	
		100 / 6.9	9.4 / 36	15.6 / 59	18.6 / 70	5.6 / 21	9.2 / 35	13.3 / 50	
		125 / 8.6	10.1 / 38	16.1 / 61	20.2 / 76	6.6 / 25	10.5 / 40	14.7 / 56	
	90 / 6.2	150 / 10	10.7 / 40	16.6 / 63	20.4 / 77	7.5 / 28	11.7 / 44	16.0 / 61	
		175 / 12	11.2 / 42	16.9 / 64	21.3 / 81	8.3 / 31	12.8 / 48	17.2 / 65	
		100 / 6.9	9.4 / 36	14.3 / 54	16.4 / 62	6.2 / 23	10.6 / 40	15.6 / 59	
	35 to 135 / 2.4 to 9.3	35 / 2.4	125 / 8.6	10.2 / 39	15.6 / 59	19.6 / 74	7.0 / 26	11.7 / 44	16.7 / 63
			150 / 10	10.9 / 41	16.6 / 63	21.5 / 81	7.8 / 30	12.8 / 48	17.7 / 67
			175 / 12	11.6 / 44	19.5 / 74	26.7 / 101	8.5 / 32	13.7 / 52	18.5 / 70
50 / 3.4	50 / 3.4	50 / 3.4	5.2 / 20	8.0 / 30	10.4 / 39	3.0 / 11	4.1 / 16	6.5 / 25	
		75 / 5.2	5.9 / 22	9.0 / 34	11.5 / 44	4.2 / 16	5.9 / 22	8.4 / 32	
		100 / 6.9	6.5 / 25	9.8 / 37	12.4 / 47	5.3 / 20	7.5 / 28	10.0 / 38	
	50 / 3.4	125 / 8.6	7.0 / 26	10.5 / 40	13.1 / 50	6.3 / 24	8.9 / 34	11.4 / 43	
		75 / 5.2	7.3 / 28	10.6 / 40	15.3 / 58	5.3 / 20	7.8 / 30	11.1 / 42	
		100 / 6.9	7.7 / 29	11.2 / 42	15.6 / 59	5.9 / 22	8.7 / 33	12.0 / 45	
	75 / 5.2	125 / 8.6	8.0 / 30	11.7 / 44	15.9 / 60	6.4 / 24	9.5 / 36	12.9 / 49	
		150 / 10	8.2 / 31	12.1 / 46	16.0 / 61	6.9 / 26	10.2 / 39	13.5 / 51	
		100 / 6.9	8.4 / 32	13.6 / 51	18.6 / 70	6.2 / 23	9.9 / 37	13.7 / 52	
100 / 6.9	125 / 8.6	8.8 / 33	14.4 / 55	19.8 / 75	6.9 / 26	10.9 / 41	14.9 / 56		
	150 / 10	9.2 / 35	15.1 / 57	20.6 / 78	7.5 / 28	11.7 / 44	15.9 / 60		
	175 / 12	9.6 / 36	15.7 / 59	21.3 / 81	8.1 / 31	12.5 / 47	16.9 / 64		
	125 / 8.6	9.8 / 37	16.8 / 64	20.0 / 76	6.8 / 26	11.7 / 44	16.5 / 62		
135 / 9.3	150 / 10	10.6 / 40	17.4 / 66	22.3 / 84	7.3 / 28	12.6 / 48	17.7 / 67		
	175 / 12	11.2 / 42	18.0 / 68	23.6 / 89	7.8 / 30	13.4 / 51	18.8 / 71		
	200 / 14	11.9 / 45	18.5 / 70		8.3 / 31	14.1 / 53			
200 / 14	150 / 10	12.1 / 46	17.5 / 66	20.1 / 76	7.1 / 27	13.3 / 50	19.4 / 73		
	175 / 12	12.3 / 47	19.9 / 75	24.2 / 92	8.2 / 31	14.2 / 54	20.2 / 76		
	200 / 14	12.3 / 47	21.8 / 83	27.0 / 102	9.2 / 35	15.0 / 57	21.0 / 79		

Shaded areas indicate conditions where maximum differential pressure for the spring range is exceeded.

Type SR5

Table 10. Water Capacities for 1 In. / 25 mm Body Size (continued)

SPRING RANGE, psig / bar	SET PRESSURE, psig / bar	INLET PRESSURE, psig / bar	CAPACITIES IN GPM / l/min OF WATER AT % DROOP						
			1 In. / 25 mm Body Size						
			Elastomer Diaphragm			Metal Diaphragm			
			10%	20%	30%	10%	20%	30%	
2 to 8 / 0.2 to 0.5	2 / 0.2	10 / 0.7	2.4 / 9.1	2.5 / 9.5	2.6 / 9.8	Not Available			
		25 / 1.7	3.7 / 14	4.5 / 17	4.6 / 17				
		50 / 3.4	5.4 / 20	7.1 / 27	7.2 / 27				
	5 / 0.4	10 / 0.7	2.3 / 8.7	2.5 / 9.5	5.4 / 20				
		25 / 1.7	3.1 / 12	4.0 / 15	6.6 / 25				
		50 / 3.4	4.2 / 16	6.0 / 23	8.2 / 31				
	8 / 0.5	10 / 0.7	5.0 / 19	6.7 / 25	7.4 / 28				
		25 / 1.7	6.6 / 25	7.7 / 29	8.1 / 31				
		50 / 3.4	8.7 / 33	8.9 / 34	8.9 / 34				
5 to 25 / 0.4 to 1.7	5 / 0.4	25 / 1.7	3.5 / 13	4.3 / 16	6.6 / 25	3.1 / 12	3.9 / 15	5.9 / 22	
		50 / 3.4	4.7 / 18	5.9 / 22	7.9 / 30	4.3 / 16	5.3 / 20	7.1 / 27	
		75 / 5.2	5.8 / 22	7.2 / 27	8.9 / 34	5.2 / 20	6.5 / 25	8.0 / 30	
	15 / 1.1	25 / 1.7	7.0 / 26	7.6 / 29	15 / 57	3.4 / 13	4.5 / 17	6.3 / 24	
		50 / 3.4	7.4 / 28	9.8 / 37	16 / 61	5.2 / 20	6.8 / 26	8.8 / 33	
		75 / 5.2	7.8 / 30	12 / 45	16 / 61	6.8 / 26	8.8 / 33	11 / 42	
	25 / 1.7	35 / 2.4	11 / 42	17 / 64	24 / 91	3.8 / 14	5.8 / 22	9.8 / 37	
		50 / 3.4	12 / 45	18 / 68	24 / 91	5.1 / 19	7.3 / 28	11 / 42	
		75 / 5.2	13 / 49	19 / 72	25 / 95	7.1 / 27	9.6 / 36	14 / 53	
10 to 50 / 0.7 to 3.4	10 / 0.7	25 / 1.7	5.2 / 20	7.9 / 30	12 / 45	3.7 / 14	4.0 / 15	5.1 / 19	
		50 / 3.4	6.8 / 26	9.7 / 37	13 / 49	5.5 / 21	6.2 / 23	7.5 / 28	
		100 / 6.9	9.3 / 35	13 / 49	15 / 57	8.2 / 31	9.5 / 36	11 / 42	
	25 / 1.7	50 / 3.4	11 / 42	19 / 72	26 / 98	5.4 / 20	6.9 / 26	10 / 38	
		75 / 5.2	13 / 49	21 / 79	27 / 102	7.2 / 27	9.2 / 35	13 / 49	
		100 / 6.9	14 / 53	22 / 83	28 / 106	8.8 / 33	11 / 42	15 / 57	
	50 / 3.4	75 / 5.2	20 / 76	33 / 125	40 / 151	8.3 / 31	14 / 53	21 / 79	
		100 / 6.9	22 / 83	34 / 129	42 / 159	9.2 / 35	15 / 57	22 / 83	
		125 / 8.6	24 / 91	35 / 132	44 / 167	10 / 38	15 / 57	23 / 87	
25 to 90 / 1.7 to 6.2	25 / 1.7	50 / 3.4	6.4 / 24	13 / 49	22 / 83	6.4 / 24	9.6 / 36	14 / 53	
		100 / 6.9	12 / 45	17 / 64	25 / 95	9.4 / 36	13 / 49	18 / 68	
		125 / 8.6	14 / 53	19 / 72	26 / 98	11 / 42	14 / 53	20 / 76	
	50 / 3.4	75 / 5.2	17 / 64	28 / 106	39 / 148	9.3 / 35	17 / 64	29 / 110	
		100 / 6.9	19 / 72	29 / 110	40 / 151	10 / 38	18 / 68	29 / 110	
		125 / 8.6	20 / 76	31 / 117	41 / 155	11 / 42	19 / 72	29 / 110	
	75 / 5.2	150 / 10	21 / 79	32 / 121	41 / 155	12 / 45	20 / 76	29 / 110	
		100 / 6.9	21 / 79	35 / 132	44 / 167	11 / 42	20 / 76	33 / 125	
		125 / 8.6	23 / 87	37 / 140	47 / 178	13 / 49	22 / 83	34 / 129	
	90 / 6.2	150 / 10	25 / 95	40 / 151	50 / 189	15 / 57	24 / 91	36 / 136	
		175 / 12	26 / 98	42 / 159	52 / 197	17 / 64	26 / 98	38 / 144	
		100 / 6.9	22 / 83	33 / 125	39 / 148	11 / 42	21 / 79	34 / 129	
	35 to 135 / 2.4 to 9.3	35 / 2.4	125 / 8.6	24 / 91	37 / 140	45 / 170	13 / 49	23 / 87	36 / 136
			150 / 10	27 / 102	41 / 155	50 / 189	14 / 53	25 / 95	38 / 144
			175 / 12	29 / 110	44 / 167	55 / 208	15 / 57	27 / 102	39 / 148
50 / 3.4	50 / 3.4	8.9 / 34	15 / 57	22 / 83	8.0 / 30	14 / 53	19 / 72		
	75 / 5.2	11 / 42	18 / 68	25 / 95	10 / 38	15 / 57	21 / 79		
	100 / 6.9	13 / 49	20 / 76	27 / 102	11 / 42	16 / 61	23 / 87		
	125 / 8.6	15 / 57	22 / 83	29 / 110	12 / 45	18 / 68	24 / 91		
	75 / 5.2	17 / 64	24 / 91	32 / 121	9.7 / 37	16 / 61	23 / 87		
	100 / 6.9	17 / 64	26 / 98	34 / 129	11 / 42	18 / 68	25 / 95		
	125 / 8.6	17 / 64	27 / 102	35 / 132	13 / 49	19 / 72	26 / 98		
	150 / 10	18 / 68	29 / 110	37 / 140	15 / 57	21 / 79	28 / 106		
	75 / 5.2	100 / 6.9	20 / 76	33 / 125	43 / 163	9.2 / 35	17 / 64	28 / 106	
100 / 6.9	125 / 8.6	22 / 83	35 / 132	46 / 174	12 / 45	20 / 76	32 / 121		
	150 / 10	24 / 91	37 / 140	49 / 185	15 / 57	24 / 91	35 / 132		
	175 / 12	25 / 95	39 / 148	51 / 193	17 / 64	27 / 102	38 / 144		
	125 / 8.6	23 / 87	40 / 151	47 / 178	13 / 49	23 / 87	34 / 129		
	150 / 10	24 / 91	42 / 159	55 / 208	15 / 57	26 / 98	37 / 140		
	175 / 12	26 / 98	44 / 167	59 / 223	17 / 64	28 / 106	40 / 151		
135 / 9.3	200 / 14	27 / 102	46 / 174		18 / 68	31 / 117			
	150 / 10	14 / 53	41 / 155	48 / 182	13 / 49	28 / 106	42 / 159		
	175 / 12	25 / 95	50 / 189	57 / 216	18 / 68	32 / 121	47 / 178		
		200 / 14	35 / 132	56 / 212	66 / 250	20 / 76	35 / 132	52 / 197	

Shaded areas indicate conditions where maximum differential pressure for the spring range is exceeded.

Table 10. Water Capacities for 1-1/2 x 1 In. / 40 x 25 mm Body Size (continued)

SPRING RANGE, psig / bar	SET PRESSURE, psig / bar	INLET PRESSURE, psig / bar	CAPACITIES IN GPM / l/min OF WATER AT % DROOP											
			1-1/2 x 1 In. / 40 x 25 mm Body Size											
			Elastomer Diaphragm			Metal Diaphragm								
			10%	20%	30%	10%	20%	30%						
2 to 8 / 0.2 to 0.5	2 / 0.2	10 / 0.7	2.7 / 10	2.8 / 11	2.9 / 11	Not Available								
		25 / 1.7	4.2 / 16	5.1 / 19	5.2 / 20									
		50 / 3.4	6.2 / 23	8.2 / 31	8.3 / 31									
	5 / 0.4	10 / 0.7	2.6 / 10	2.8 / 11	6.0 / 23				Not Available					
		25 / 1.7	3.5 / 13	4.5 / 17	7.5 / 28									
		50 / 3.4	4.8 / 18	6.8 / 26	9.4 / 36									
	8 / 0.5	10 / 0.7	5.5 / 21	7.4 / 28	8.2 / 31							Not Available		
		25 / 1.7	7.4 / 28	8.6 / 33	9.1 / 34									
		50 / 3.4	9.9 / 37	10 / 38	10 / 38									
5 to 25 / 0.4 to 1.7	5 / 0.4	25 / 1.7	3.9 / 15	4.8 / 18	7.4 / 28	3.5 / 13	4.4 / 17	6.8 / 26						
		50 / 3.4	5.4 / 20	6.8 / 26	9.0 / 34	4.9 / 19	6.1 / 23	8.2 / 31						
		75 / 5.2	6.6 / 25	8.3 / 31	10 / 38	6.0 / 23	7.5 / 28	9.0 / 34						
	15 / 1.1	25 / 1.7	7.8 / 30	8.5 / 32	17 / 64	3.8 / 14	5.0 / 19	7.0 / 26						
		50 / 3.4	8.4 / 32	11 / 42	18 / 68	5.9 / 22	7.7 / 29	10 / 38						
		75 / 5.2	8.8 / 33	13 / 49	18 / 68	7.7 / 29	10 / 38	12 / 45						
	25 / 1.7	35 / 2.4	12 / 45	19 / 72	26 / 98	4.2 / 16	6.4 / 24	11 / 42						
		50 / 3.4	13 / 49	20 / 76	27 / 102	5.8 / 22	8.2 / 31	13 / 49						
		75 / 5.2	15 / 57	21 / 79	28 / 106	8.1 / 31	10.9 / 41	16 / 61						
	10 to 50 / 0.7 to 3.4	10 / 0.7	25 / 1.7	5.8 / 22	8.9 / 34	14 / 53	4.1 / 16	4.5 / 17	5.8 / 22					
			50 / 3.4	7.8 / 30	11 / 42	15 / 57	6.2 / 23	7.1 / 27	8.6 / 33					
			100 / 6.9	11 / 42	14 / 53	18 / 68	9.3 / 35	11 / 42	13 / 49					
25 / 1.7		50 / 3.4	13 / 49	22 / 83	30 / 114	6.0 / 23	7.7 / 29	12 / 45						
		75 / 5.2	15 / 57	23 / 87	31 / 117	8.2 / 31	10 / 38	14 / 53						
		100 / 6.9	17 / 64	25 / 95	32 / 121	10 / 38	13 / 49	17 / 64						
50 / 3.4		75 / 5.2	22 / 83	37 / 140	44 / 167	9.3 / 35	15 / 57	24 / 91						
		100 / 6.9	25 / 95	38 / 144	47 / 178	10 / 38	16 / 61	25 / 95						
		125 / 8.6	27 / 102	40 / 151	50 / 189	11 / 42	18 / 68	26 / 98						
25 to 90 / 1.7 to 6.2		25 / 1.7	50 / 3.4	7.2 / 27	15 / 57	25 / 95	7.2 / 27	11 / 42	16 / 61					
			100 / 6.9	14 / 53	20 / 76	29 / 110	11 / 42	15 / 57	21 / 79					
			125 / 8.6	16 / 61	22 / 83	30 / 114	12 / 45	16 / 61	23 / 87					
	50 / 3.4	75 / 5.2	19 / 72	31 / 117	43 / 163	10 / 38	19 / 72	32 / 121						
		100 / 6.9	21 / 79	33 / 125	45 / 170	11 / 42	20 / 76	33 / 125						
		125 / 8.6	23 / 87	35 / 132	46 / 174	12 / 45	22 / 83	33 / 125						
	75 / 5.2	150 / 10	24 / 91	36 / 136	47 / 178	13 / 49	23 / 87	34 / 129						
		100 / 6.9	24 / 91	39 / 148	48 / 182	12 / 45	22 / 83	36 / 136						
		125 / 8.6	26 / 98	42 / 159	53 / 201	15 / 57	25 / 95	39 / 148						
	90 / 6.2	150 / 10	28 / 106	45 / 170	56 / 212	17 / 64	27 / 102	41 / 155						
		175 / 12	30 / 114	47 / 178	60 / 227	19 / 72	30 / 114	43 / 163						
		100 / 6.9	24 / 91	36 / 136	42 / 159	13 / 49	23 / 87	37 / 140						
	35 to 135 / 2.4 to 9.3	35 / 2.4	125 / 8.6	27 / 102	41 / 155	51 / 193	14 / 53	26 / 98	40 / 151					
			150 / 10	30 / 114	46 / 174	57 / 216	16 / 61	28 / 106	42 / 159					
			175 / 12	33 / 125	50 / 189	62 / 235	17 / 64	31 / 117	44 / 167					
	35 to 135 / 2.4 to 9.3	50 / 3.4	50 / 3.4	9.9 / 37	16 / 61	25 / 95	9.0 / 34	15 / 57	21 / 79					
			75 / 5.2	13 / 49	20 / 76	28 / 106	12 / 45	17 / 64	23 / 87					
			100 / 6.9	15 / 57	23 / 87	31 / 117	13 / 49	19 / 72	26 / 98					
50 / 3.4		125 / 8.6	17 / 64	26 / 98	34 / 129	14 / 53	20 / 76	28 / 106						
		75 / 5.2	19 / 72	27 / 102	36 / 136	11 / 42	17 / 64	26 / 98						
		100 / 6.9	19 / 72	29 / 110	38 / 144	13 / 49	20 / 76	28 / 106						
75 / 5.2		125 / 8.6	20 / 76	31 / 117	40 / 151	15 / 57	22 / 83	30 / 114						
		150 / 10	20 / 76	33 / 125	42 / 159	17 / 64	24 / 91	32 / 121						
		100 / 6.9	22 / 83	37 / 140	48 / 182	10 / 38	19 / 72	31 / 117						
100 / 6.9		125 / 8.6	24 / 91	40 / 151	52 / 197	14 / 53	23 / 87	36 / 136						
		150 / 10	27 / 102	42 / 159	56 / 212	17 / 64	27 / 102	40 / 151						
		175 / 12	29 / 110	44 / 167	59 / 223	19 / 72	30 / 114	43 / 163						
135 / 9.3	125 / 8.6	25 / 95	44 / 167	51 / 193	15 / 57	26 / 98	38 / 144							
	150 / 10	27 / 102	47 / 178	62 / 235	17 / 64	29 / 110	42 / 159							
	175 / 12	29 / 110	50 / 189	67 / 254	19 / 72	32 / 121	46 / 174							
35 to 135 / 2.4 to 9.3	135 / 9.3	200 / 14	31 / 117	52 / 197		20 / 76	35 / 132							
		150 / 10	16 / 61	45 / 170	51 / 193	14 / 53	32 / 121	47 / 178						
		175 / 12	28 / 106	56 / 212	62 / 235	20 / 76	35 / 132	53 / 201						
35 to 135 / 2.4 to 9.3	135 / 9.3	200 / 14	39 / 148	63 / 238	71 / 269	22 / 83	39 / 148	58 / 220						

Shaded areas indicate conditions where maximum differential pressure for the spring range is exceeded.

Type SR5

Table 10. Water Capacities for 2 In. / 50 mm Body Size (continued)

SPRING RANGE, psig / bar	SET PRESSURE, psig / bar	INLET PRESSURE, psig / bar	CAPACITIES IN GPM / l/min OF WATER AT % DROOP						
			2 In. / 50 mm Body Size						
			Elastomer Diaphragm			Metal Diaphragm			
			10%	20%	30%	10%	20%	30%	
10 to 25 / 0.7 to 1.7	10 / 0.7	25 / 1.7	32 / 121	46 / 174	64 / 242	27 / 102	39 / 148	47 / 178	
		50 / 3.4	47 / 178	56 / 212	80 / 303	35 / 132	47 / 178	56 / 212	
	15 / 1.0	25 / 1.7	37 / 140	54 / 204	78 / 295	25 / 95	39 / 148	56 / 212	
		50 / 3.4	44 / 167	70 / 265	98 / 371	37 / 140	50 / 189	70 / 265	
	25 / 1.7	50 / 3.4	53 / 201	94 / 356	128 / 484	40 / 151	57 / 216	86 / 326	
		75 / 5.2	62 / 235	102 / 386	135 / 511	44 / 167	69 / 261	95 / 360	
15 to 50 / 1.0 to 3.4	15 / 1.0	25 / 1.7	34 / 129	47 / 178	68 / 257	25 / 95	37 / 140	48 / 182	
		50 / 3.4	43 / 163	58 / 220	82 / 310	35 / 132	47 / 178	61 / 231	
		75 / 5.2	48 / 182	63 / 238	82 / 310	40 / 151	50 / 189	65 / 246	
		100 / 6.9	48 / 182	64 / 242	80 / 303	43 / 163	52 / 197	67 / 254	
		125 / 8.6	48 / 182	64 / 242	80 / 303	45 / 170	52 / 197	68 / 257	
	25 / 1.7	50 / 3.4	40 / 151	80 / 303	105 / 397	37 / 140	54 / 204	79 / 299	
		75 / 5.2	52 / 197	90 / 341	118 / 447	44 / 167	66 / 250	91 / 344	
		100 / 6.9	59 / 223	94 / 356	120 / 454	46 / 174	70 / 265	90 / 341	
		125 / 8.6	59 / 223	93 / 352	117 / 443	45 / 170	71 / 269	88 / 333	
	50 / 3.4	75 / 5.2	67 / 254	114 / 431	156 / 590	44 / 167	80 / 303	120 / 454	
		100 / 6.9	85 / 322	132 / 500	171 / 647	58 / 220	99 / 375	137 / 519	
		125 / 8.6	93 / 352	139 / 526	178 / 674	66 / 250	109 / 413	144 / 545	
		150 / 10	97 / 367	141 / 534	178 / 674	70 / 265	110 / 416	142 / 537	
	25 to 75 / 1.7 to 5.2	25 / 1.7	50 / 3.4	47 / 178	74 / 280	96 / 363	35 / 132	49 / 185	71 / 269
			75 / 5.2	51 / 193	85 / 322	112 / 424	45 / 170	62 / 235	84 / 318
100 / 6.9			60 / 227	91 / 344	113 / 428	47 / 178	68 / 257	87 / 329	
125 / 8.6			63 / 238	92 / 348	109 / 413	46 / 174	70 / 265	88 / 333	
150 / 10			61 / 231	92 / 348	105 / 397	45 / 170	70 / 265	88 / 333	
50 / 3.4		75 / 5.2	64 / 242	110 / 416	148 / 560	43 / 163	77 / 291	116 / 439	
		100 / 6.9	67 / 254	120 / 454	160 / 606	55 / 208	91 / 344	130 / 492	
		125 / 8.6	77 / 291	129 / 488	171 / 647	63 / 238	101 / 382	138 / 522	
		150 / 10	88 / 333	136 / 515	175 / 662	69 / 261	105 / 397	137 / 519	
		175 / 12	94 / 356	135 / 511	172 / 651	71 / 269	106 / 401	137 / 519	
75 / 5.2		100 / 6.9	81 / 307	130 / 492	171 / 647	58 / 220	110 / 416	161 / 609	
		125 / 8.6	87 / 329	147 / 556	189 / 715	68 / 257	119 / 450	175 / 662	
		150 / 10	94 / 356	154 / 583	202 / 765	74 / 280	130 / 492	187 / 708	
		175 / 12	101 / 382	160 / 606	209 / 791	80 / 303	138 / 522	193 / 731	

Table 10. Water Capacities for 3 In. / 80 mm Body Size (continued)

SPRING RANGE, psig / bar	SET PRESSURE, psig / bar	INLET PRESSURE, psig / bar	CAPACITIES IN GPM / l/min OF WATER AT % DROOP						
			3 In. / 80 mm Body Size						
			Elastomer Diaphragm			Metal Diaphragm			
			10%	20%	30%	10%	20%	30%	
10 to 25 / 0.7 to 1.7	10 / 0.7	25 / 1.7	34 / 129	52 / 197	76 / 288	25 / 95	36 / 136	46 / 174	
		50 / 3.4	44 / 167	68 / 257	96 / 363	30 / 114	46 / 174	55 / 208	
	15 / 1.0	25 / 1.7	36 / 136	61 / 231	92 / 348	25 / 95	36 / 136	56 / 212	
		50 / 3.4	56 / 212	91 / 344	122 / 462	36 / 136	48 / 182	71 / 269	
	25 / 1.7	50 / 3.4	73 / 276	116 / 439	148 / 560	39 / 148	57 / 216	88 / 333	
		75 / 5.2	70 / 265	127 / 481	162 / 613	44 / 167	74 / 280	108 / 409	
15 to 50 / 1.0 to 3.4	15 / 1.0	25 / 1.7	36 / 136	51 / 193	71 / 269	22 / 83	34 / 129	47 / 178	
		50 / 3.4	43 / 163	66 / 250	94 / 356	35 / 132	48 / 182	67 / 254	
		75 / 5.2	52 / 197	79 / 299	104 / 394	43 / 163	58 / 220	79 / 299	
		100 / 6.9	60 / 227	88 / 333	106 / 401	48 / 182	64 / 242	87 / 329	
		125 / 8.6	65 / 246	95 / 360	109 / 413	51 / 193	68 / 257	91 / 344	
	25 / 1.7	50 / 3.4	50 / 189	89 / 337	124 / 469	40 / 151	54 / 204	78 / 295	
		75 / 5.2	64 / 242	104 / 394	142 / 537	46 / 174	68 / 257	101 / 382	
		100 / 6.9	69 / 261	113 / 428	151 / 572	50 / 189	79 / 299	113 / 428	
	50 / 3.4	125 / 8.6	70 / 265	113 / 428	150 / 568	54 / 204	89 / 337	120 / 454	
		75 / 5.2	85 / 322	135 / 511	180 / 681	43 / 163	81 / 307	125 / 473	
		100 / 6.9	94 / 356	156 / 590	202 / 765	57 / 216	99 / 375	153 / 579	
		125 / 8.6	103 / 390	168 / 636	221 / 836	65 / 246	111 / 420	167 / 632	
	25 to 75 / 1.7 to 5.2	25 / 1.7	150 / 10	111 / 420	175 / 662	230 / 871	70 / 265	120 / 454	175 / 662
			50 / 3.4	47 / 178	84 / 318	121 / 458	38 / 144	59 / 223	84 / 318
			75 / 5.2	53 / 201	94 / 356	130 / 492	43 / 163	70 / 265	99 / 375
100 / 6.9			63 / 238	103 / 390	137 / 519	47 / 178	79 / 299	109 / 413	
125 / 8.6			74 / 280	109 / 413	139 / 526	51 / 193	85 / 322	115 / 435	
50 / 3.4		150 / 10	79 / 299	112 / 424	140 / 530	56 / 212	91 / 344	118 / 447	
		75 / 5.2	73 / 276	123 / 466	164 / 621	42 / 159	78 / 295	119 / 450	
		100 / 6.9	82 / 310	144 / 545	194 / 734	57 / 216	92 / 348	142 / 537	
		125 / 8.6	98 / 371	157 / 594	209 / 791	65 / 246	105 / 397	157 / 594	
		150 / 10	106 / 401	167 / 632	217 / 821	69 / 261	118 / 447	167 / 632	
75 / 5.2		175 / 12	111 / 420	176 / 666	221 / 836	73 / 276	128 / 484	175 / 662	
		100 / 6.9	85 / 322	139 / 526	194 / 734	51 / 193	97 / 367	158 / 598	
		125 / 8.6	96 / 363	171 / 647	224 / 848	64 / 242	115 / 435	187 / 708	
		150 / 10	106 / 401	192 / 727	246 / 931	71 / 269	126 / 477	203 / 768	
		175 / 12	114 / 431	203 / 768	262 / 992	83 / 314	138 / 522	206 / 780	

Type SR5

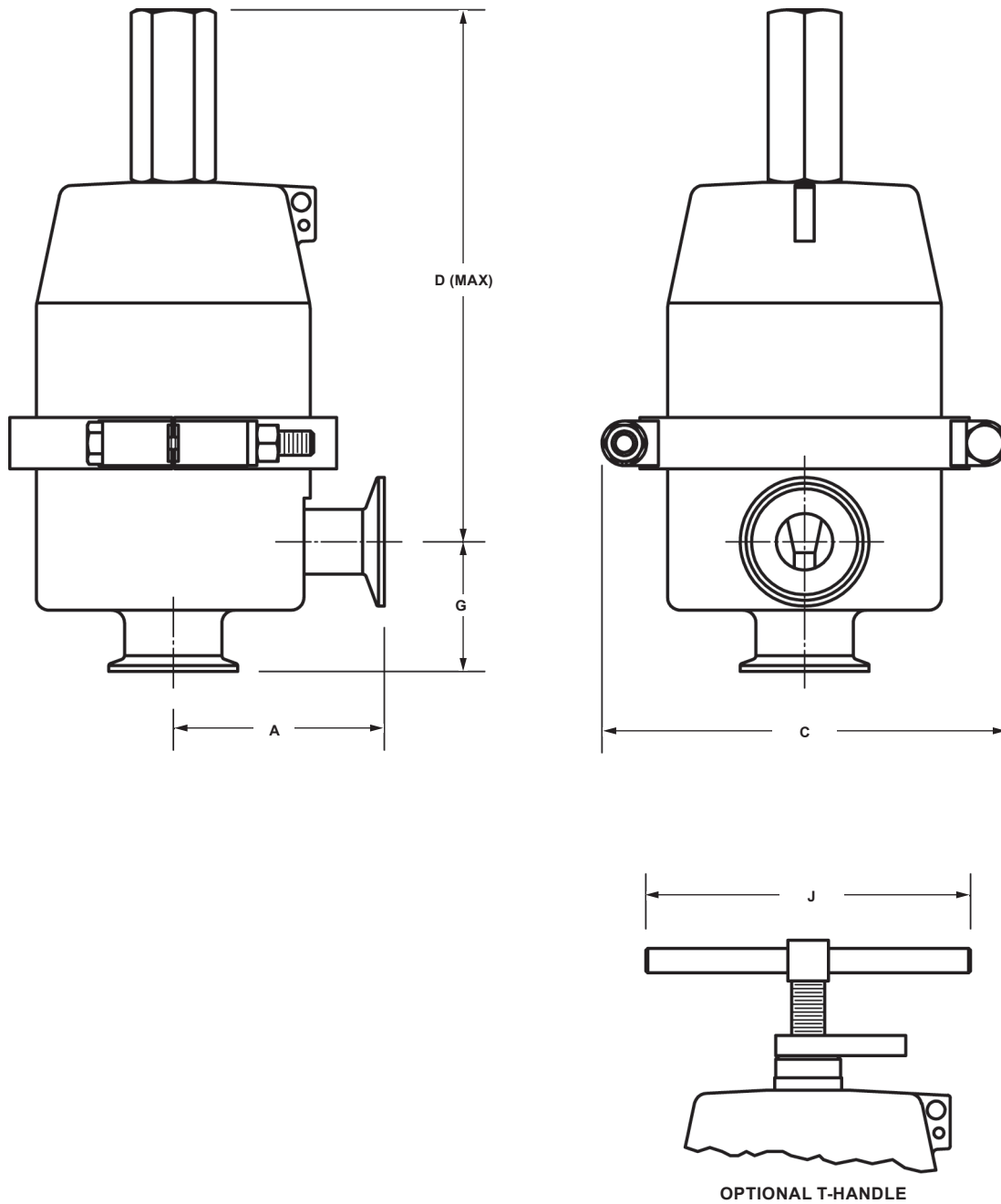


Figure 5. Dimensions

Table 11. Dimensions

SIZE, In. / mm	DIMENSIONS, IN. / mm				
	A	C	D	G	J
1/2 / 15	3.00 / 76	5.11 / 130	7.17 / 182	1.50 / 38	4.00 / 102
3/4 / 20	3.00 / 76	5.11 / 130	7.17 / 182	1.50 / 38	4.00 / 102
1 / 25	3.25 / 83	6.20 / 158	8.20 / 208	2.00 / 51	5.00 / 127
1-1/2 / 40	3.25 / 83	6.20 / 158	8.20 / 208	2.50 / 64	5.00 / 127
1-1/2 x 1 / 40 x 25	3.25 / 83	6.20 / 158	8.20 / 208	2.50 / 64	5.00 / 127
2 / 50	5.50 / 140	10.60 / 269	13.76 / 350	4.00 / 102	5.00 / 127
3 / 80	5.50 / 140	10.60 / 269	13.76 / 350	4.00 / 102	5.00 / 127

Ordering Guide

Body Size (Select One)

- 1/2 In. / 15 mm**
- 3/4 In. / 20 mm**
- 1 In. / 25 mm**
- 1-1/2 x 1 In. / 40 x 25 mm**
- 1-1/2 In. / 40 mm Full port**
- 2 In. / 50 mm**
- 3 In. / 80 mm**

Internal Finish (Select One)

- 20 µin / 0.5 µm Ra**
- Other, please specify _____

Seat (Select One)

- Metal**
- Soft Virgin PTFE**
- Soft PEEK**

Diaphragm and O-ring Material (Select One)

- EPDM (FDA)**
- PTFE coated Fluorocarbon (FKM)
(1/2 through 1-1/2 in. only)**
- 316L Stainless steel with PTFE/FKM O-ring**

Spring Range (Select One)

1/2, 3/4, 1, 1-1/2 x 1 In. / 15, 20, 25, 40 x 25 mm

- 2 to 8 psig / 0.2 to 0.5 bar (Not available with metal diaphragm)**
- 5 to 25 psig / 0.4 to 1.7 bar**
- 10 to 50 psig / 0.7 to 3.4 bar**
- 25 to 90 psig / 1.7 to 6.2 bar**
- 35 to 135 psig / 2.4 to 9.3 bar**

1-1/2 In. / 40 mm Full port

- 5 to 25 psig / 0.4 to 1.7 bar**
- 10 to 50 psig / 0.7 to 3.4 bar**
- 25 to 75 psig / 1.7 to 5.2 bar**
- 35 to 100 psig / 2.4 to 6.9 bar**

2, 3 In. / 50, 80 mm

- 10 to 25 psig / 0.7 to 1.7 bar**
- 15 to 50 psig / 1.0 to 3.4 bar**
- 25 to 75 psig / 1.7 to 5.2 bar**

T-handle Adjusting Screw (Optional)

- Yes**
- No

Pressure Loaded Spring Case (Optional)

- Yes*
- No

Vacuum Protection (Optional - for use with elastomer diaphragm only)

- Yes*
- No

Certificate (Optional - select all that are required)

- FDA elastomers/plastics**
- Materials**
- Functional Test**
- USP Class VI Elastomers/plastics**
- ADI Free Elastomers/plastics**

Parts Kit (Optional)

- Yes, please send a parts kit to match this order.**
- No

Type SR5

Ordering Guide (continued)

Regulators Quick Order Guide	
***	Readily Available for Shipment
**	Allow Additional Time for Shipment
*	Special Order, Constructed from Non-Stocked Parts. Consult Your local Sales Office for Availability.
Availability of the product being ordered is determined by the component with the longest shipping time for the requested construction.	

Specification Worksheet	
Application:	
Specific Use	_____
Line Size	_____
Fluid Type and Specific Gravity	_____
Fluid Temperature	_____
Does the Application Require Overpressure Protection?	

Regulator Specifications:	
Maximum Inlet Pressure	_____
Minimum Inlet Pressure	_____
Differential Pressure	_____
Set Pressure	_____
Maximum Flow	_____
Accuracy Requirements:	
Less than or equal to: <input type="checkbox"/> 10%, <input type="checkbox"/> 20%, <input type="checkbox"/> 30%	
Other Requirements: _____	

✉ Webadmin.Regulators@emerson.com

🔍 Fisher.com

📘 Facebook.com/EmersonAutomationSolutions

🌐 LinkedIn.com/company/emerson-automation-solutions

🐦 Twitter.com/emr_automation

Emerson Automation Solutions

Americas

McKinney, Texas 75070 USA
T +1 800 558 5853
+1 972 548 3574

Europe

Bologna 40013, Italy
T +39 051 419 0611

Asia Pacific

Singapore 128461, Singapore
T +65 6777 8211

Middle East and Africa

Dubai, United Arab Emirates
T +971 4 811 8100

D103105X012 © 2006, 2022 Emerson Process Management Regulator Technologies, Inc. All rights reserved. 01/22.

The Emerson logo is a trademark and service mark of Emerson Electric Co. All other marks are the property of their prospective owners.

Fisher™ is a mark owned by Fisher Controls International LLC, a business of Emerson Automation Solutions.

The contents of this publication are presented for informational purposes only, and while every effort has been made to ensure their accuracy, they are not to be construed as warranties or guarantees, express or implied, regarding the products or services described herein or their use or applicability. All sales are governed by our terms and conditions, which are available upon request. We reserve the right to modify or improve the designs or specifications of such products at any time without notice.

Emerson Process Management Regulator Technologies, Inc does not assume responsibility for the selection, use or maintenance of any product. Responsibility for proper selection, use and maintenance of any Emerson Process Management Regulator Technologies, Inc. product remains solely with the purchaser.

