

# Baumann™ 24003 3-Way Bronze or Stainless Steel Control Valve

The Baumann 24003 3-way control valve is ideally suited for control of flow and temperature where mixing or diverting service is required. This 3-way valve uses a rugged cast bronze or CF8M stainless steel body with S31600 austenitic stainless steel trim for extended service life.

## Features

- Compact and light weight design reduces installed piping costs.
- Optional ENVIRO-SEAL™ packing system to meet critical emission control requirements; suitable for use in light duty chemical service (not for use in corrosive service). This option is available in the stainless steel version only.
- High quality S31600 austenitic stainless steel trim materials.
- Dual plug and stem guiding provides increased stability during plug travel.
- Multiple trim capacity reductions available to meet changing process requirements.
- Fisher™ FIELDVUE™ digital valve controllers available for remote calibration and diagnostics.



W9764-1

Stainless Steel 3-Way Valve with Baumann 32 Actuator



W9765-1

Bronze 3-Way Valve with Baumann 54 Actuator and FIELDVUE DVC2000 Digital Valve Controller

# Product Bulletin

52.1:243WY  
February 2021

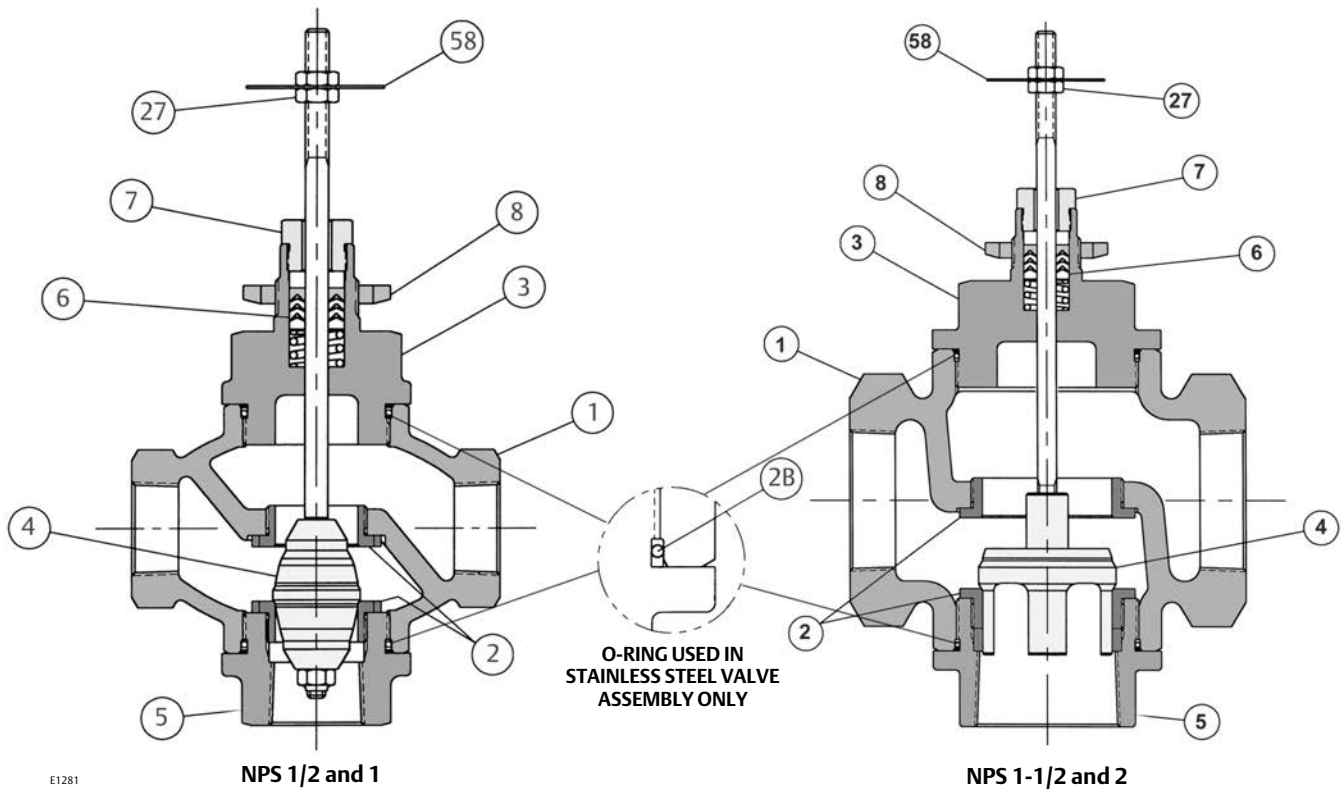
**24003 Valve**  
D103329X012

Table 1. Flow Direction<sup>(1)</sup>

Service	Inlet	Outlet
Diverting	C	U and L
Mixing	U and L	C

1. C = Common port, U = Upper port, L = Lower port

Figure 1. Baumann 24003 Valve Body with Standard Bonnet and NPS 1 Integral Seat

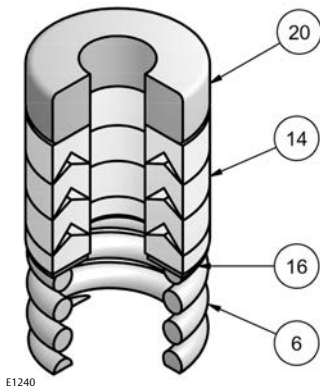


E1281

Table 2. Materials of Construction

KEY NO.	DESCRIPTION	MATERIAL	
		Bronze	Stainless Steel
1	Valve Body	Bronze ASTM B62	ASTM A351 CF8M
2	Seat Rings	ASTM A276 S31600 Condition A	ASTM A276 S31600 Condition A
2B	O-Ring	N/A	TFE/P (tetrafluoroethylene/propylene)
3	Bonnet	Bronze ASTM B62	ASTM A351 CF8M
4	Plug & Stem Assembly	ASTM A276 S31600 Condition A	ASTM A276 S31600 Condition A
5	Bottom Port	Bronze ASTM B62	ASTM A351 CF8M
6	Packing	Standard	PTFE (Polytetrafluoroethylene) / PTFE, 25% carbon filled
		Optional	Molded Graphite Ribbon (Flexible Graphite) ENVIRO-SEAL (Stainless Steel ONLY)
7	Packing Follower	ASTM A276 S31600 Condition A Stainless Steel	
8	Drive Nut (Yoke)	ASTM A194 S30400 Gr. 8	
27	Locknuts	Stainless Steel (18-8 SST)	
58	Travel Indicator	ASTM A240 S30400	

**Figure 2. Standard Spring-Loaded PTFE V-Ring Packing Kit**

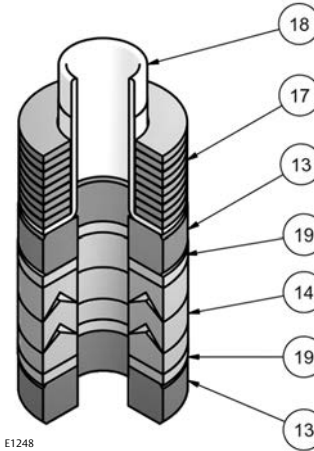


E1240

**Table 3. Standard Spring-Loaded PTFE V-Ring Packing Kit**

Key Number	Description	Material
6	Spring	ASTM A313 S30200
14	Packing Set	PTFE (Polytetrafluoroethylene) / PTFE, 25% carbon filled
16	Washer	ASTM A240 S31600
20	Spacer	J-2000 (filled-Polytetrafluoroethylene)

**Figure 4. ENVIRO-SEAL Packing Kit (Optional for Stainless Steel Only)**

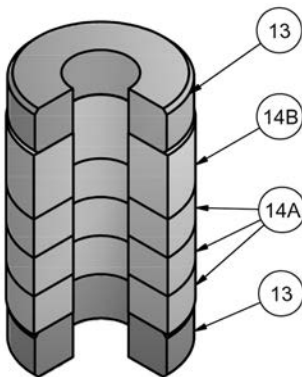


E1248

**Table 5. ENVIRO-SEAL Packing Kit (Optional for Stainless Steel Only)**

Key Number	Description	Material
13	Bushing	Carbon-Graphite
14	Packing Set	PTFE (Polytetrafluoroethylene) / PTFE, 25% carbon filled
17	Belleville Spring	N06600 Nickel Alloy (ASTM B637 N07718, 40 HRC max)
18	Bushing	PEEK (polyetheretherketone)
19	Washer	Modified PTFE

**Figure 3. Molded Graphite (Flexible Graphite) Packing Kit (Optional)**



E1241

**Table 4. Molded Graphite (Flexible Graphite) Packing Kit (Optional)**

Key Number	Description	Material
13	Bushings	Carbon-Graphite
14A	Packing Rings	Graphite
14B	Packing Ring	Graphite

## Special ENVIRO-SEAL Packing Note

The ENVIRO-SEAL PTFE packing system is suitable for 100 ppm environmental applications on services up to 51.7 barg (750 psig) and process temperatures ranging from -28 to 204°C (-20 to 400°F).

For non-environmental applications, this packing system offers excellent performance at the same temperature range up to the maximum valve working pressure.

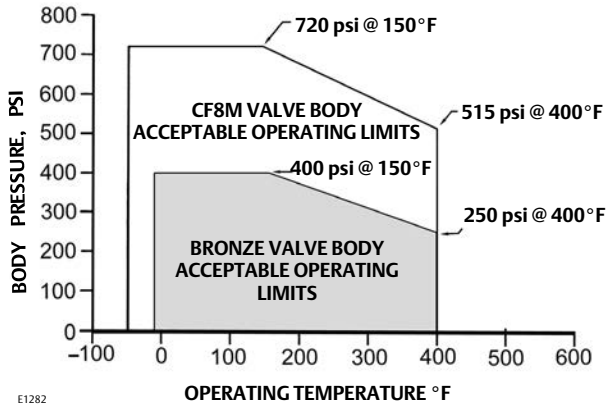
Temperature limits apply to packing arrangements only. Complete valve assembly temperature limits may differ, refer to appropriate pressure/temperature ratings.

(Reference Fisher Packing Selection Guidelines for Sliding-Stem Valves, Bulletin 59.1:062, [D101986X012](#)).

**Table 6. Technical Specifications**

<b>NOMINAL PIPE SIZE</b>	NPS 1/2, 1, 1-1/2, and 2	
<b>END CONNECTIONS</b>	Screwed NPT	
<b>SEAT PLUG SEALING</b>	Metal-to-Metal	
<b>CHARACTERISTIC</b>	Linear	
<b>SEAT LEAKAGE</b>	Class III	
<b>VALVE BODY MATERIAL</b>	<b>Bronze</b>	<b>Stainless Steel</b>
<b>PRESSURE RATING</b>	400 psi @ 150°F / 250 psi @ 400°F	720 psi @ 150°F / 515 psi @ 400°F
<b>TEMPERATURE LIMITS</b>	-20 to 400°F	

**Figure 5. Valve Body and Temperature Limits**



E1282

**Table 7. Max Cv Values at 100% Plug Opening <sup>(1)</sup>**  
(Kv = 0.86 x Cv)

VALVE SIZE	ORIFICE DIAMETER	PLUG TRAVEL	RATED VALUES
NPS	inches	inches	C <sub>v</sub>
1/2	0.626	0.56	1, 2
	0.876	0.56	4
1	0.876	0.56	4
	1.126	0.56	10
1-1/2	1.676	0.75	20
2	2.126	0.75	40

1. See [Fisher Catalog 12](#) for a full range of flow and sizing information.

Figure 6. Mixing Service Flow Characteristics

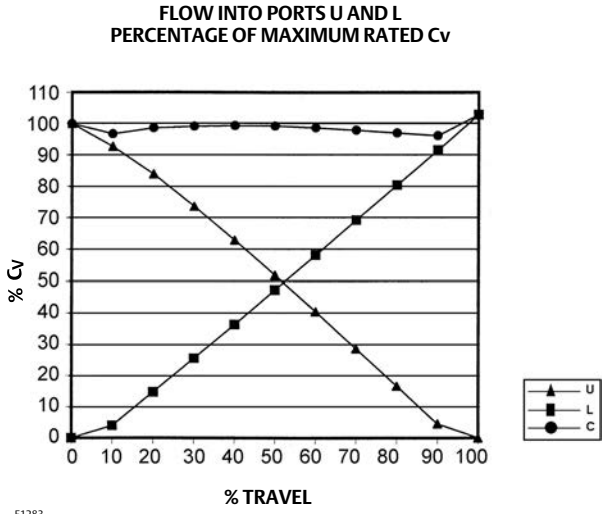


Figure 7. Diverting Service Flow Characteristics

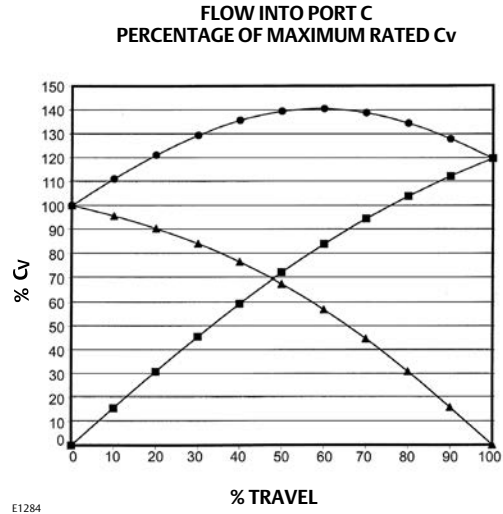
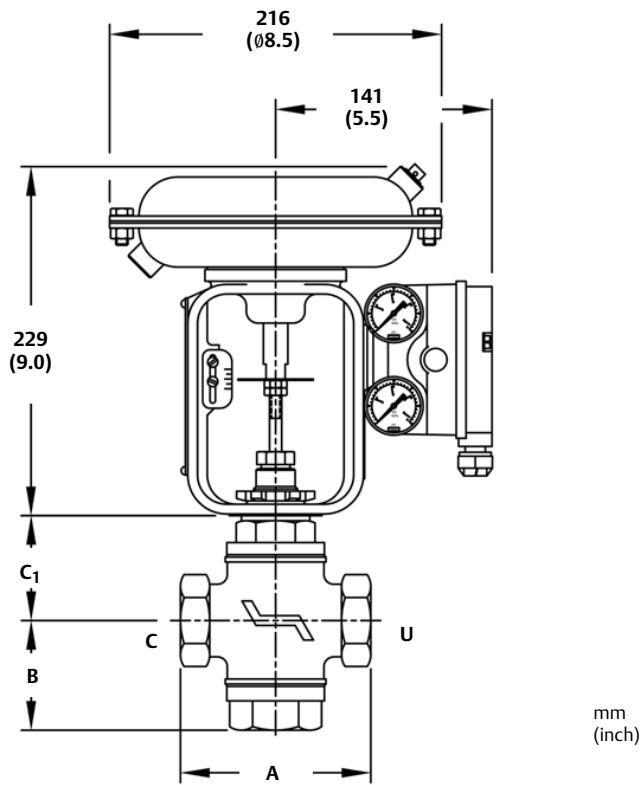


Table 8. Valve Body Dimensions and Weights: NPT Valve Bodies Only

VALVE SIZE	VALVE BODY MATERIAL						TRAVEL	WEIGHT
	BRONZE, NPT			STAINLESS STEEL, NPT (A)				
NPS	A	B	C1	A	B	C1	Inches	lbs
1/2	4.88	2.75	2.75	5.0	2.75	2.75	0.56	8
1	4.88	2.75	2.75	5.0	2.75	2.75	0.56	8
1-1/2	5.75	3.81	3.31	6.1	3.38	3.31	0.75	15
2	6.50	4.0	3.6	6.50	3.75	3.6	0.75	20

Figure 8. Dimensional Drawing



E1285

**24000 3-WAY ATC/FAIL OPEN ACTUATOR  
WITH HANDWHEEL**

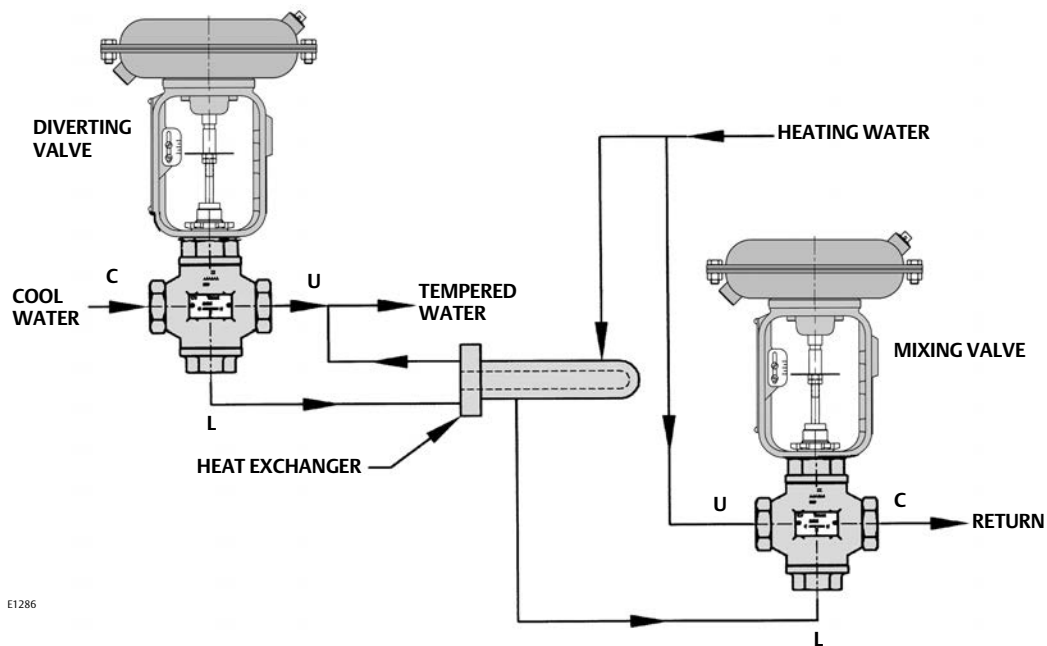
Note: Actuator removal requires 115 mm (4.5 inches) vertical clearance.

Table 9. Application Port<sup>(1)</sup>

Service	Inlet	Outlet
Diverting	C	U and L
Mixing	U and L	C

1. C = Common port, U = Upper port, L = Lower port

Figure 9. Mixing and Diverting Applications



E1286

Table 10. Model Numbering System

24					3				
Valve Body Series		Service		Port "L" Fails		3-Way Valve Body		Material	
24	D	Diverting		1	Closed	3	---	Bronze	
	M	Mixing		2	Open		S	Stainless Steel	

## Product Bulletin

52.1:243WY  
February 2021

**24003 Valve**  
D103329X012

---

Neither Emerson, Emerson Automation Solutions, nor any of their affiliated entities assumes responsibility for the selection, use or maintenance of any product. Responsibility for proper selection, use, and maintenance of any product remains solely with the purchaser and end user.

Baumann, ENVIRO-SEAL, Fisher, and FIELDVUE are marks owned by one of the companies in the Emerson Automation Solutions business unit of Emerson Electric Co. Emerson Automation Solutions, Emerson, and the Emerson logo are trademarks and service marks of Emerson Electric Co. All other marks are the property of their respective owners.

The contents of this publication are presented for informational purposes only, and while every effort has been made to ensure their accuracy, they are not to be construed as warranties or guarantees, express or implied, regarding the products or services described herein or their use or applicability. All sales are governed by our terms and conditions, which are available upon request. We reserve the right to modify or improve the designs or specifications of such products at any time without notice.

Emerson Automation Solutions  
Marshalltown, Iowa 50158 USA  
Sorocaba, 18087 Brazil  
Cernay, 68700 France  
Dubai, United Arab Emirates  
Singapore 128461 Singapore

[www.Fisher.com](http://www.Fisher.com)

