

April 2009

PRX Series Parts Kits Assemblies

Introduction

These parts kits are used to replace the existing elastomer parts of PRX Series regulators.



WARNING

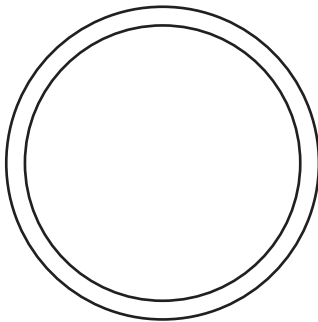
Avoid personal injury or damage to property from sudden release of pressure or uncontrolled gas or other process fluid. Before starting to disassemble, isolate the pilot or regulator from all pressure and cautiously release trapped pressure from the pilot or regulator. Use gauges to

monitor inlet, loading, and outlet pressures while releasing these pressures.

To avoid possible personal injury, remove spring tension before performing maintenance on this unit. To remove spring tension, carefully loosen locknut and back out adjusting screw until compression is removed from the spring.

For the key number locations of the below listed parts, refer to the figures on the following page of this installation sheet.

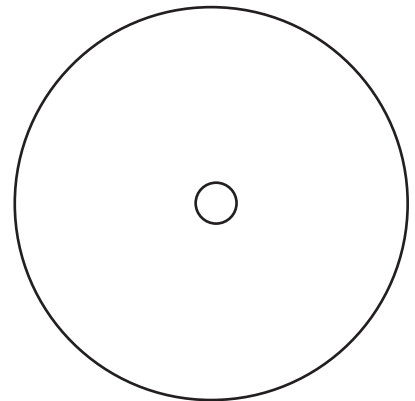
Outline Drawing of Different Elastomer Parts*



KEY 4, UPPER COVER O-RING



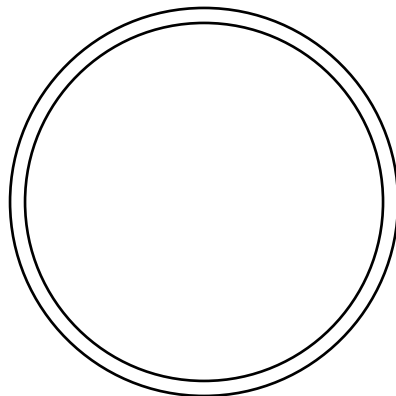
KEY 5, O-RING



KEY 14, DIAPHRAGM



KEY 17, ORIFICE O-RING



KEY 18, LOWER COVER O-RING



KEY 25, STEM O-RING



KEY 28, RESTRICTOR/DAMPER O-RING

*The following drawings may show actual diameter size of the parts they represent.



PRX Series

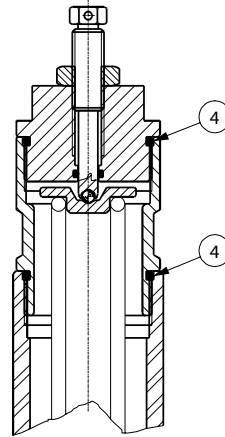
PRX Series Spare Parts Kits

Description

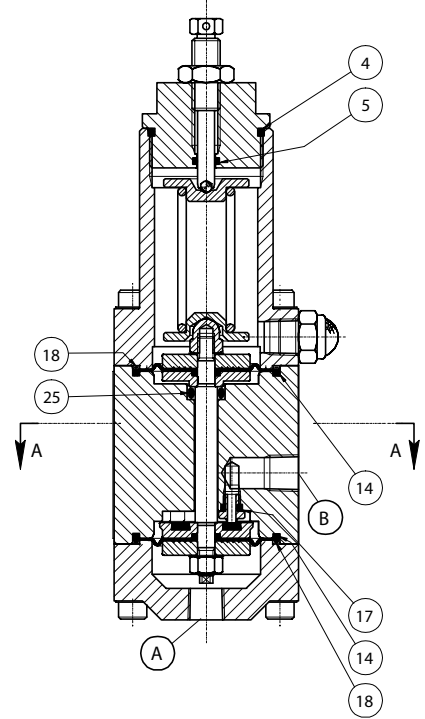
Elastomer Parts Kits (include keys: 4, 5, 14, 17, 18, 25, and 28)
 Types PRX/120 and PRX/125
 Nitrile (NBR)
 Fluorocarbon (FKM)
 Types PRX/120-AP and PRX/125-AP
 Nitrile (NBR)
 Fluorocarbon (FKM)

Part Number

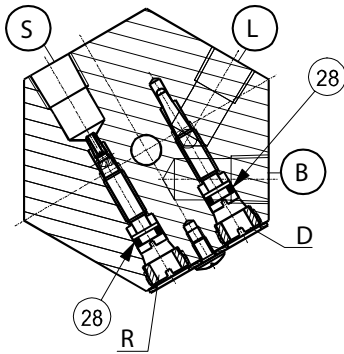
RPRX00X0N12
 RPRX00X0F12
 RPRXAPX0N12
 RPRXAPX0F12



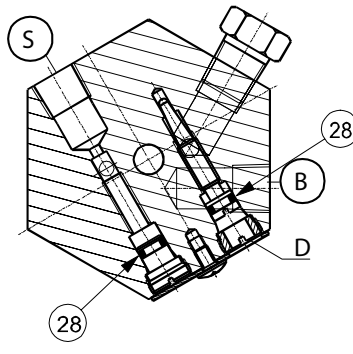
AP VERSION



TYPES PRX/120 AND PRX/125 ASSEMBLY



TYPE PRX/120 VERSION - SECTION A-A



TYPE PRX/125 VERSION - SECTION A-A

Industrial Regulators

Emerson Process Management Regulator Technologies, Inc.

USA - Headquarters
 McKinney, Texas 75069-1872 USA
 Tel: 1-800-558-5853
 Outside U.S. 1-972-548-3574

Asia-Pacific
 Shanghai, China 201206
 Tel: +86 21 2892 9000

Europe
 Bologna, Italy 40013
 Tel: +39 051 4190611

Middle East and Africa
 Dubai, United Arab Emirates
 Tel: +971 4811 8100

Natural Gas Technologies

Emerson Process Management Regulator Technologies, Inc.

USA - Headquarters
 McKinney, Texas 75069-1872 USA
 Tel: 1-800-558-5853
 Outside U.S. 1-972-548-3574

Asia-Pacific
 Singapore, Singapore 128461
 Tel: +65 6777 8211

Europe
 Bologna, Italy 40013
 Tel: +39 051 4190611
 Gallardon, France 28320
 Tel: +33 (0)2 37 33 47 00

TESCOM

Emerson Process Management Tescom Corporation

USA - Headquarters
 Elk River, Minnesota 55330-2445 USA
 Tel: 1-763-241-3238

Europe
 Selmsdorf, Germany 23923
 Tel: +49 (0) 38823 31 0

For further information visit www.emersonprocess.com/regulators

The Emerson logo is a trademark and service mark of Emerson Electric Co. All other marks are the property of their prospective owners. Fisher is a mark owned by Fisher Controls, Inc., a business of Emerson Process Management.

The contents of this publication are presented for informational purposes only, and while every effort has been made to ensure their accuracy, they are not to be construed as warranties or guarantees, express or implied, regarding the products or services described herein or their use or applicability. We reserve the right to modify or improve the designs or specifications of such products at any time without notice.

Emerson Process Management does not assume responsibility for the selection, use or maintenance of any product. Responsibility for proper selection, use and maintenance of any Emerson Process Management product remains solely with the purchaser.