

# Fisher™ L2 Liquid Level Controller



# Table of Contents

## Section 1: Introduction

1.1	Scope of the Manual .....	1
1.2	Description .....	4
1.3	Specifications .....	4
1.4	Educational Services .....	4

## Section 2: Installation

2.1	Attaching a Vertical Displacer .....	5
2.2	Attaching a Horizontal Displacer .....	5
2.3	Attaching the Sensor to the Vessel .....	5
2.4	Pressure Connections .....	6
2.5	Vent .....	7

## Section 3: Changing Controller Action or Mode

3.1	Throttling and On/Off Controller .....	7
3.2	Snap-Acting Controller .....	7

## Section 4: Span Adjustment

4.1	Preliminary Checks .....	9
4.2	Direct-Acting Throttling Controllers .....	10
4.3	Reverse-Acting Throttling Controllers .....	10
4.4	Direct-Acting On/Off and Snap-Acting Controllers .....	10
4.5	Reverse-Acting On/Off and Snap-Acting Controllers .....	10

## Section 5: Principle of Operation .....

## Section 6: Maintenance

6.1	Removing the Controller from the Sensor .....	12
6.2	Replacing the Sensor O-rings .....	12
6.3	Replacing the Controller Relay .....	14
6.4	Replacing the Controller Supply Filter .....	15

## Section 7: Related Documents .....

## Section 8: Parts

8.1	Parts Ordering .....	15
8.2	Parts Kits .....	16
8.3	Parts List .....	16

# Section 1: Introduction

## 1.1 Scope of the Manual

This instruction manual includes installation, adjustment, maintenance and parts ordering information for the Fisher L2 Liquid Level Controller.

### WARNING


 Do not install, operate or maintain an L2 Liquid Level Controller without being fully trained and qualified in valve, actuator and accessory installation, operation and maintenance. To avoid personal injury or property damage, it is important to carefully read, understand and follow all of the contents of this manual, including all safety cautions and warnings. If you have any questions about these instructions, contact your [Emerson sales office](#) before proceeding.

Figure 1. Fisher L2 Liquid Level Controller







W8418-1

**Table 1. Specifications**

Available Configurations			Supply Medium
The Fisher L2 series of controllers include the L2 and L2 Snap models. Controller: Snap-acting or throttling Sensor: Displacer-type liquid level sensor for mounting to side of tank. Displacer travel is transmitted to controller by pivotal movement of displacer rod.			Air or natural gas <sup>(3)</sup>
Input Signal			Steady-State Air Consumption <sup>(4)</sup>
Type: Liquid level or liquid-to-liquid interface Level Change Required for Full Change in Output Signal in 1.0 Specific Gravity Liquid, with 1.4 bar / 20 psig Supply Pressure, Direct Action and Standard 48 x 305 mm / 1-7/8 x 12 in. Vertical Displacer with Standard Lever Arm Length:			Throttling Controller: ≤0.03 normal m <sup>3</sup> /hr / 1.0 scfh at 1.4 bar / 20 psig supply pressure Snap-Acting Controller: ≤0.03 normal m <sup>3</sup> /hr / 1.0 scfh at 1.4 bar / 20 psig supply pressure or ≤0.04 normal m <sup>3</sup> /hr (1.5 scfh) at 2.4 bar / 35 psig supply pressure in tripped condition; air consumption increases during trip
Control Mode	Minimum Proportional Band Level Change, mm / in. <sup>(1)</sup>	Maximum Proportional Band Level Change, mm / in. <sup>(1)</sup>	
Throttling	102 mm / 4 in.	305 mm / 12 in.	
On/Off	127 mm / 5 in.	305 mm / 12 in.	
Snap-acting	13 mm / 0.5 in.	20 mm / 0.8 in.	
Minimum Specific Gravity <sup>(2)</sup>			Sensor to Vessel Connection
Minimum specific gravity or specific gravity differential for interface applications Throttling Controllers: 0.4 On/Off Controllers: 0.45 Snap-Acting Controllers: 0.1			■ 2 NPT threaded or ■ NPS 2 CL150 through 1500 slip-on flange connection <sup>(5)</sup>
Output Signal			Controller Connections
Pneumatic ■ on-off or ■ proportional pressure signal Ranges: Throttling: ■ 0.2 to 1.0 bar / 3 to 15 psig or ■ 0.4 to 2.0 bar / 6 to 30 psig On/Off: 0 (off) or full supply pressure (on) Action: Field-reversible between direct (increasing level increases output signal) and reverse (increasing level decreases output signal)			Supply: 1/4 NPT internal located on the bottom of the case Output: 1/4 NPT internal located on the top of the case Case Vent: 1/4 NPT internal with vent screen assembly located on the back of the case
Supply Pressure Requirements			Standard Displacer Size
Throttling and On/Off Controller <i>Throttling:</i> 1.4 bar for 0.2 to 1.0 bar output signal 20 psig for 3 to 15 psig output signal and 2.4 bar for 0.4 to 2.0 bar output signal / 35 psig for 6 to 30 psig output signal <i>On/Off:</i> Any desired pressure between 1.4 and 3.4 bar / 20 and 50 psig. <i>Snap-Acting Controller:</i> Any desired pressure between 1.4 and 5.2 bar / 20 and 50 psig direct and 1.4 bar and 2.4 bar / 20 and 35 psig reverse Do not use supply pressure below 1.4 bar / 20 psig.			48 x 305 mm, 541 cm <sup>3</sup> / 1-7/8 x 12 in., 33 in <sup>3</sup>

- continued -

**Table 1. Specifications (continued)**

Maximum Displacer Insertion Length <sup>(6)</sup>	Operative Ambient Temperature Limits <sup>(7)</sup>	
Standard lever arm length plus one 6 in. extension, horizontal or vertical.	Controller: -29 to 71 °C / -20 to 160 °F	
Displacer Material and Maximum Sensor Working Pressure <sup>(7)</sup>	Standard Supply and Output Pressure Gauge Indications	
<p>PVC Displacer: Consistent with CL1500 pressure temperature ratings per ASME B16.34 up to maximum pressure of 258 bar / 3750 psig for PED (2014/68/EU) maximum pressure limited to 200 bar / 2900 psig</p> <p>S31603 SST Displacer: CL600 pressure temperature ratings per ASME B16.34 up to maximum pressure of 99.3 bar / 1440 psig</p> <p>Note: For slip-on flange connection, maximum sensor working pressure must be consistent with the flange ratings.</p>	<p>Triple scale gauges in 0 to 60 psig/0 to 0.4 MPa/ 0 to 4.0 bar</p> <th data-bbox="862 548 1427 583">Hazardous Area Classification</th> <p data-bbox="862 594 1427 653">Complies with the requirements of ATEX Group II Category 2 Gas and Dust</p> <p data-bbox="862 653 1427 709">             EX h IIC Tx Gb            EX h IIIC Tx Db         </p> <p data-bbox="862 709 1427 768">Maximum surface temperature (Tx) depends on operating conditions</p> <p data-bbox="862 768 1427 798"><b>Gas:</b> T6</p> <p data-bbox="862 798 1427 827"><b>Dust:</b> T71</p> <p data-bbox="862 827 1427 886">Meets Customs Union technical regulation TP TC 012/2011 for Groups II/III Category 2 equipment</p> <p data-bbox="862 886 1427 942">   </p>	Hazardous Area Classification
Displacer Material and Sensor Temperature Limits <sup>(7)</sup>	Declaration of SEP	
<p>PVC Displacer: -18 to 71 °C / 0 to 160 °F</p> <p>S31603 SST Displacer: -40 to 204 °C / -40 to 400 °F</p>	<p>Fisher Controls International LLC declares this product to be in compliance with Article 4 paragraph 3 of the PED Directive 2014/68/EU and Part 1, Requirement 8 of the PESR Regulation. It was designed and manufactured in accordance with Sound Engineering Practice (SEP) and cannot bear the CE marking related to PED compliance or the UKCA mark related to the PESR Regulation.</p> <p>However, the product may bear the CE or UKCA marking to indicate compliance with other applicable European Community Directives or UK Regulations (Statutory Instruments).</p>	
<p><b>NOTE:</b> Specialized instrument terms are defined in ISA Standard 51.1 – Process Instrument Terminology.</p> <ol style="list-style-type: none"> <li>Any deviation from the standard construction described in the input signal specification above requires special displacer sizing considerations. Contact your <a href="#">Emerson sales office</a> for information.</li> <li>Depends on float rod/displacer orientation and length. Contact your Emerson sales office before proceeding for further information.</li> <li>This product can be used with natural gas as the supply medium.</li> <li>Normal m<sup>3</sup>/hr – Normal cubic meters per hour (0 °C and 1.01325 bar, absolute) Scfh – Standard cubic feet per hour (60 °F and 14.7 psia).</li> <li>Converting from a threaded NPT connection to a flange connection is to be done by the end-user. Refer to Converting a Threaded NPT Connection to a Flange Connection instruction Manual Supplement (D103277X012), available at <a href="http://www.Fisher.com">www.Fisher.com</a> or from your Emerson sales office.</li> <li>Standard lever arm length.</li> <li>The pressure and temperature limits in this document and any applicable code limitations should not be exceeded.</li> </ol>		

## 1.2 Description

The rugged L2 liquid level controllers use a displacer type sensor (see Figure 1) to detect liquid level or the interface of two liquids of different specific gravities.

These controllers use a single four-mode relay to provide the applicable control and action. The device delivers a pneumatic output signal to a control/dump valve.

Unless otherwise noted, all NACE references are to NACE MR0175-2002.

## 1.3 Specifications

Specifications for the i2P-100 transducer are listed in Table 1.

## 1.4 Educational Services

Emerson Educational Services  
Phone: +1-800-338-8158  
E-mail: [education@emerson.com](mailto:education@emerson.com)  
[emerson.com/mytraining](http://emerson.com/mytraining)

# Section 2: Installation

### WARNING

**Always wear protective clothing, gloves and eyewear when performing any installation operations to avoid personal injury.**

**To avoid personal injury or property damage caused by the sudden release of process fluid, be certain the service conditions do not exceed the sensor pressure limits. Use pressure-limiting or pressure-relieving devices to prevent service conditions from exceeding these limits.**

**Personal injury or property damage may result from fire or explosion if natural gas is used as the supply medium and appropriate preventive measures are not taken. Preventive measures may include, but are not limited to, one or more of the following: Remote venting of the unit, re-evaluating the hazardous area classification, ensuring adequate ventilation and the removal of any ignition sources. For information on remote venting of this controller, refer to Section 2.5.**

**Check with your process or safety engineer for any additional measures that must be taken to protect against process media.**

**If installing this into an existing application, also refer to the WARNING found in Section 6.**

**NOTICE**

**Do not use sealing tape on pneumatic connections. This instrument contains small passages that may become obstructed by detached sealing tape. Thread sealant paste should be used to seal and lubricate pneumatic threaded connections.**

**NOTICE**

**If the L2 level controller is installed on a vessel that is to be shipped to a different location (e.g., skid mounted units), remove the displacer and displacer rod extensions before shipment. Failure to do so could result in damage to the displacer rod due to vibration and impact loading during shipment. After the vessel is installed at its final location, reassemble the displacer and displacer rod extension.**

1. Be sure there are no obstructions inside the tank that will interfere with displacer installation or operation.
2. Provide the appropriate connection in the tank wall to match the sensor connection. Locate the tank wall connection such that the displacer will be at the desired control level.

## 2.1 Attaching a Vertical Displacer

Refer to Figure 7 for part locations.

1. Thread jam nut (key 68) all the way onto the threaded portion of the universal joint assembly (key 69).
2. Thread the displacer (key 81) all the way onto the threaded portion of the universal joint assembly.
3. Tighten the jam nut (key 63) against the displacer (key 81).

## 2.2 Attaching a Horizontal Displacer

Refer to Figure 7 for part locations.

1. Thread the displacer (key 81) all the way onto the displacer rod (key 64) or extension (key 82).
2. Tighten the jam nut (key 63) against the displacer (key 81).

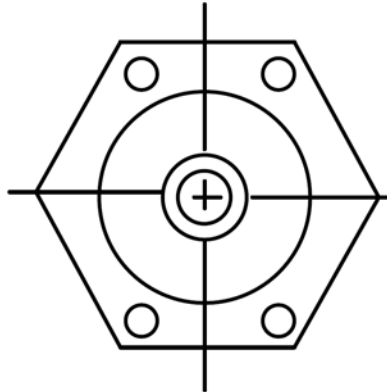
## 2.3 Attaching the Sensor to the Vessel

Insert the displacer end of the controller-sensor assembly into the tank connection and screw the sensor threads into the tank connection. Tighten sufficiently to seal the threads. If necessary, loosen or tighten slightly to obtain the orientation shown in Figure 2. Make sure that the controller case is level.

## NOTICE

Do not pick up the controller/sensor by lifting the displacer rod (key 64). This action could place excessive stress on the displacer rod and cause the unit to malfunction.

Figure 2. Sensor Orientation



CORRECT CONTROLLER MOUNTING  
HOLE ORIENTATION WHEN MOUNTED ON VESSEL

A6639

## 2.4 Pressure Connections

### **⚠ WARNING**

Personal injury or property damage may occur from an uncontrolled process if the supply medium is not clean, dry, oil-free air or non-corrosive gas. While use and regular maintenance of a filter that removes particles larger than 40 micrometers in diameter will suffice in most applications, check with an Emerson field office and industry instrument air quality standards for use with corrosive air or if you are unsure about the proper amount or method of air filtration or filter maintenance.

## NOTICE

Do not use sealing tape on pneumatic connections. This instrument contains small passages that may become obstructed by detached sealing tape. Thread sealant paste should be used to seal and lubricate pneumatic threaded connections.

1. Provide a source of clean, dry air that meets the requirements of ISA Standard 7.0.01 as the operating medium. Refer to Table 1 to determine supply pressure.
2. Connect the supply pressure to the 1/4 NPT internal connection on the bottom of the controller case.
3. Connect the output signal line to the equipment being operated and to the 1/4 NPT output connection on the top of the controller case.



## 2.5 Vent

### WARNING

**If a flammable or hazardous gas is to be used as the supply pressure medium, personal injury or property damage could result from fire or explosion of accumulated gas or from contact with hazardous gas. The controller/actuator assembly does not form a gas-tight seal and when the assembly is enclosed, a remote vent line, adequate ventilation and necessary safety measures should be used. However, a remote vent pipe alone cannot be relied upon to remove all hazardous gas. Vent line piping should comply with local and regional codes and should be as short as possible with adequate inside diameter and few bends to reduce case pressure buildup.**

The vent opening or the end of the remote vent pipe, if one is required, must be protected against the entrance of all foreign matter that could plug the vent. Use 13 mm / 1/2 in. diameter pipe for the remote vent pipe. Check the vent periodically to be certain it is free of any obstructions.

## Section 3: Changing Controller Action or Mode

### WARNING

**To avoid personal injury caused by a sudden release of pressure, shut off the supply pressure and bleed pressure from the supply lines before performing any procedure in this section.**

### 3.1 Throttling and On/Off Controller

The action of a throttling and on/off controller may be changed between either direct or reverse and the control mode may be changed between either on/off or throttling.

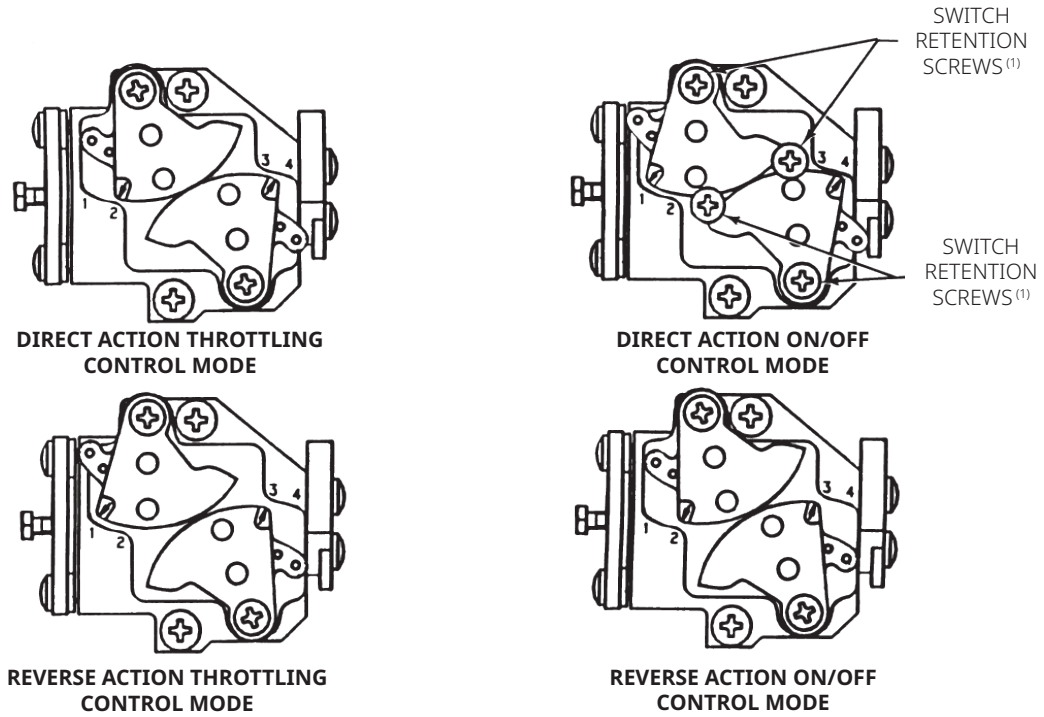
Refer to Figure 3. Loosen the four switch retention screws on the relay. Move the switches to the control action and control mode required by the application. Tighten the four switch retention screws.

### 3.2 Snap-Acting Controller

The action of a snap-acting controller may be changed between either direct or reverse. The control mode is always snap acting.

Refer to Figure 4. Loosen the four switch retention screws on the relay. Move the switches to the control action required by the application. Tighten the four switch retention screws.

**Figure 3. Fisher L2 Throttling and On/Off Controller Switch Positions for Changing Action and Control Mode**

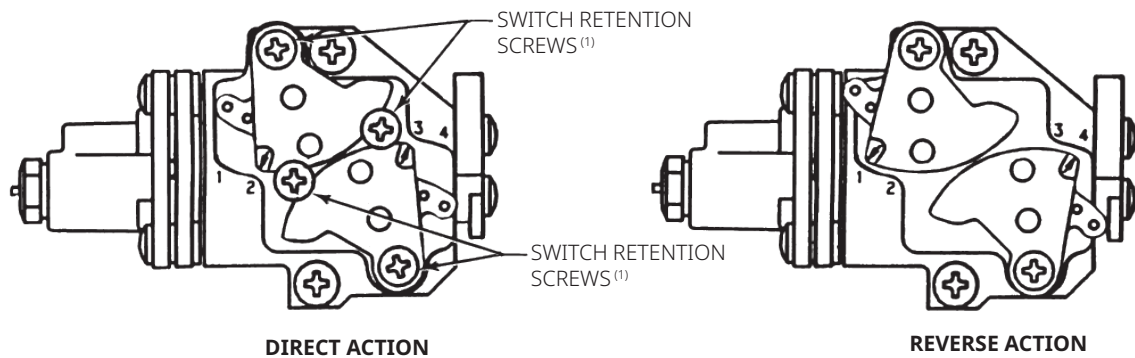


B2339

NOTE:

1. ALL FOUR SWITCH RETENTION SCREWS SHOWN ONLY ON THIS VIEW. OTHER VIEWS SHOW ONLY TWO SWITCH RETENTION SCREWS IN ORDER TO ILLUSTRATE THE SWITCH CONFIGURATION.

**Figure 4. Fisher L2 Snap-Acting Controller Switch Positions for Changing Action**



B2340

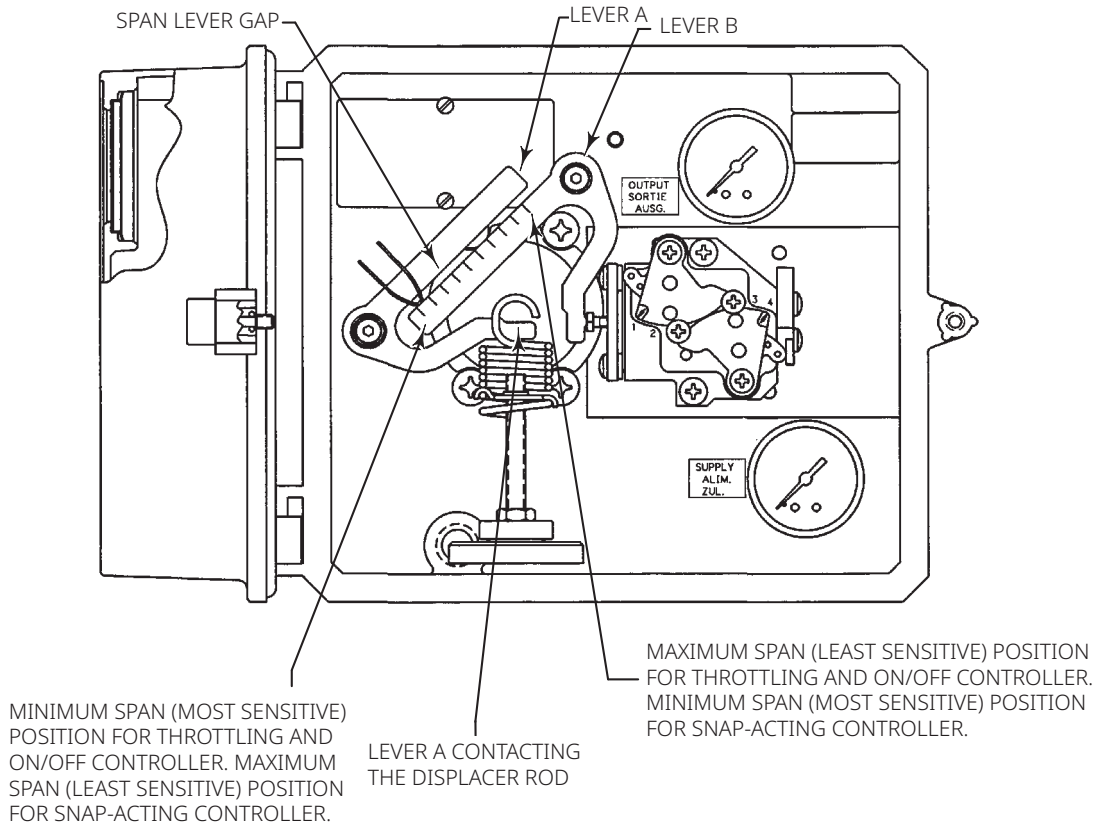
NOTE:

1. ALL FOUR SWITCH RETENTION SCREWS SHOWN ONLY ON THIS VIEW. OTHER VIEWS SHOW ONLY TWO SWITCH RETENTION SCREWS IN ORDER TO ILLUSTRATE THE SWITCH CONFIGURATION.

## Section 4: Span Adjustment

Except where indicated, key numbers referenced in the following procedures are shown in Figure 8. The span levers and other proportional band information are shown in Figure 5.

**Figure 5. Proportional Band Adjustments**



GB0137-2  
E0787

### 4.1 Preliminary Checks

1. Check the supply pressure gauge (key 10) to be certain that the supply pressure is at the desired value. Adjust the supply pressure as required.
2. Adjust the displacer rod to the horizontal position with the spring adjustment (key 4).
3. Bounce the end of the displacer rod (key 64, Figure 7) up and down to check that the sensor is operating freely.
4. Place the span adjuster (key 9) at the desired position (see Figure 5).
5. Check Figures 3 and 4 for correct control action and control mode.
6. Adjust the relay adjustment screw (key 49, throttling controller) or the valve assembly (key 51, snap-acting controller) so that the gap between the span levers (see Figure 5) is equal when lever A is contacting the displacer rod.

## 4.2 Direct-Acting Throttling Controllers

1. Make certain the Preliminary Checks procedure at the start of this section has been completed.
2. Lower the liquid level so that it is below the bottom of the displacer or at the lowest desired operating point on the displacer. For interface applications, completely cover the displacer with the fluid with the lower specific gravity. The heavier fluid should be below the bottom of the displacer or at the lowest desired operating point on the displacer.
3. Adjust the spring adjustment (key 4) until the output pressure is 1 to 2 psig for a 3 to 15 psig output range, or 2 to 4 psig for a 6 to 30 psig output range.

## 4.3 Reverse-Acting Throttling Controllers

1. Make certain the Preliminary Checks procedure at the start of this section has been completed.
2. Lower the liquid level so that it is below the bottom of the displacer or at the lowest desired operating point on the displacer. For interface applications, completely cover the displacer with the fluid with the lower specific gravity. The heavier fluid should be below the bottom of the displacer or at the lowest desired operating point on the displacer.
3. Adjust the spring adjustment (key 4) until the output is 16 to 17 psig for a 3 to 15 psig output range, or 31 to 34 psig for a 6 to 30 psig output range.

## 4.4 Direct-Acting On/Off and Snap-Acting Controllers

1. Make certain the Preliminary Checks procedure at the start of this section has been completed.
2. Lower the liquid level so that it is below the bottom of the displacer or at the lowest desired operating point on the displacer. For interface applications, completely cover the displacer with the fluid with the lower specific gravity. The heavier fluid should be below the bottom of the displacer or at the lowest desired operating point on the displacer.
3. Adjust the spring adjustment (key 4) until the output pressure is at full supply pressure.
4. Readjust the spring adjustment (key 4) until the output pressure goes to 0 psig.

## 4.5 Reverse-Acting On/Off and Snap-Acting Controllers

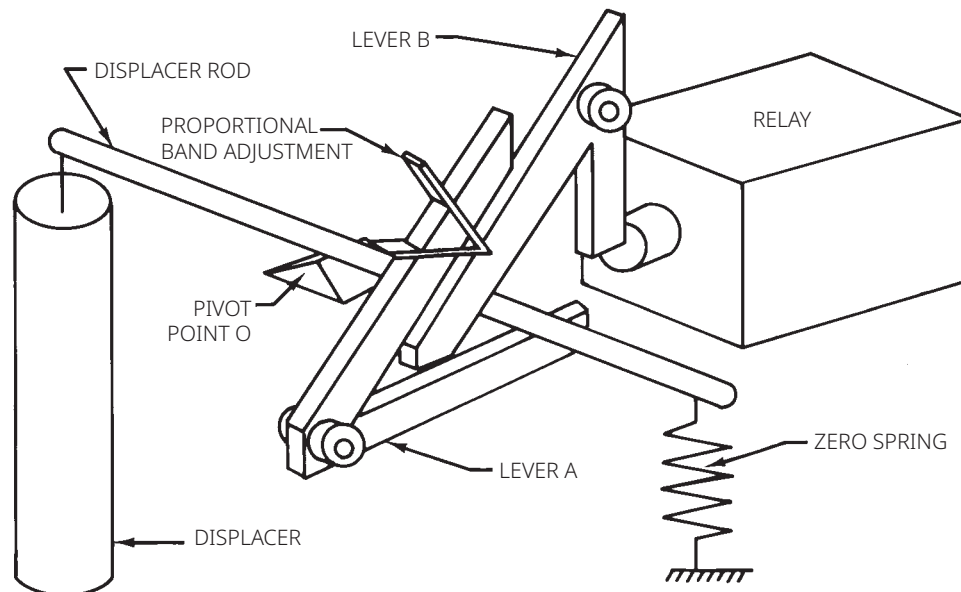
1. Make certain the Preliminary Checks procedure at the start of this section has been completed.
2. Lower the liquid level so that it is below the bottom of the displacer or at the lowest desired operating point on the displacer. For interface applications, completely cover the displacer with the fluid with the lower specific gravity. The heavier fluid should be below the bottom of the displacer or at the lowest desired operating point on the displacer.
3. Adjust the spring adjustment (key 4) until the output pressure goes to 0 psig.
4. Readjust the spring adjustment (key 4) until the output pressure goes to full supply pressure.

## Section 5: Principle of Operation

The operation of L2 controllers in combination with the sensor is based on Archimedes Principle, which states that a body immersed in a liquid will be buoyed up by a force equal to the weight of the liquid displaced. The buoyant force and resultant movement of the displacer in the liquid is transmitted to the controller which delivers a pneumatic signal to a control valve.

Figure 6 shows a simple schematic of the controller and sensor. In its normal position, the counterclockwise moment due to the weight of the displacer about pivot point O is balanced by the clockwise zero spring moment and the counterclockwise relay zero force moment applied through lever A to the displacer rod. The weight of the displacer decreases when the liquid level increases and the subsequent buoyant force increases causing a force imbalance between the zero spring, relay and displacer forces. This force imbalance is transmitted to the relay by levers A and B. The relay compensates for the force imbalance by converting it to a pressure output to a control valve and bringing the forces back into equilibrium.

**Figure 6. Operational Schematic**



A5592

For throttling control, the relay pressure output will be proportional to the buoyant force. For on/off control, the relay pressure output will be either zero or equal to the supply pressure over the range of liquid level change. The liquid level change required to fully operate the relay is adjusted by sliding the proportional band adjustment along lever A to vary the lever ratio between levers A and B.

With reverse-acting proportional control, the principle of operation remains the same as that for direct action; however, the controller delivers an increasing pneumatic signal to the control valve when the liquid level falls.

## Section 6: Maintenance

Parts are subject to normal wear and must be inspected periodically and replaced as necessary. The frequency of parts inspection and replacement depends upon the severity of service conditions. When inspection or repairs are required, disassemble only those parts necessary to accomplish the task.

### **WARNING**

**Always wear protective clothing, gloves and eyewear when performing any maintenance operations to avoid personal injury.**

**To avoid personal injury or property damage caused by the release of pressure or process fluid, observe the following before starting maintenance:**

- **Personal injury or property damage may result from fire or explosion if natural gas is used as the supply medium and appropriate preventive measures are not taken. Preventive measures may include, but are not limited to, one or more of the following: Remote venting of the unit, re-evaluating the hazardous area classification, ensuring adequate ventilation and the removal of any ignition sources. For information on remote venting of this controller, refer to page 6.**
- **Provide some temporary means of control for the process before taking the controller out of service.**
- **Provide a means of containing the process fluid before removing any measurement devices from the process.**
- **Vent any trapped process pressure.**
- **Check with your process or safety engineer for any additional measures that must be taken to protect against process media.**

### 6.1 Removing the Controller from the Sensor

1. Disconnect the supply and output pressure lines.
2. Slide the hook end of the zero spring (key 5, Figure 8) over and off the controller end of the displacer rod (key 64, Figure 7).
3. Remove the four controller mounting screws (key 11, Figure 8) and pull the controller straight away from the sensor.

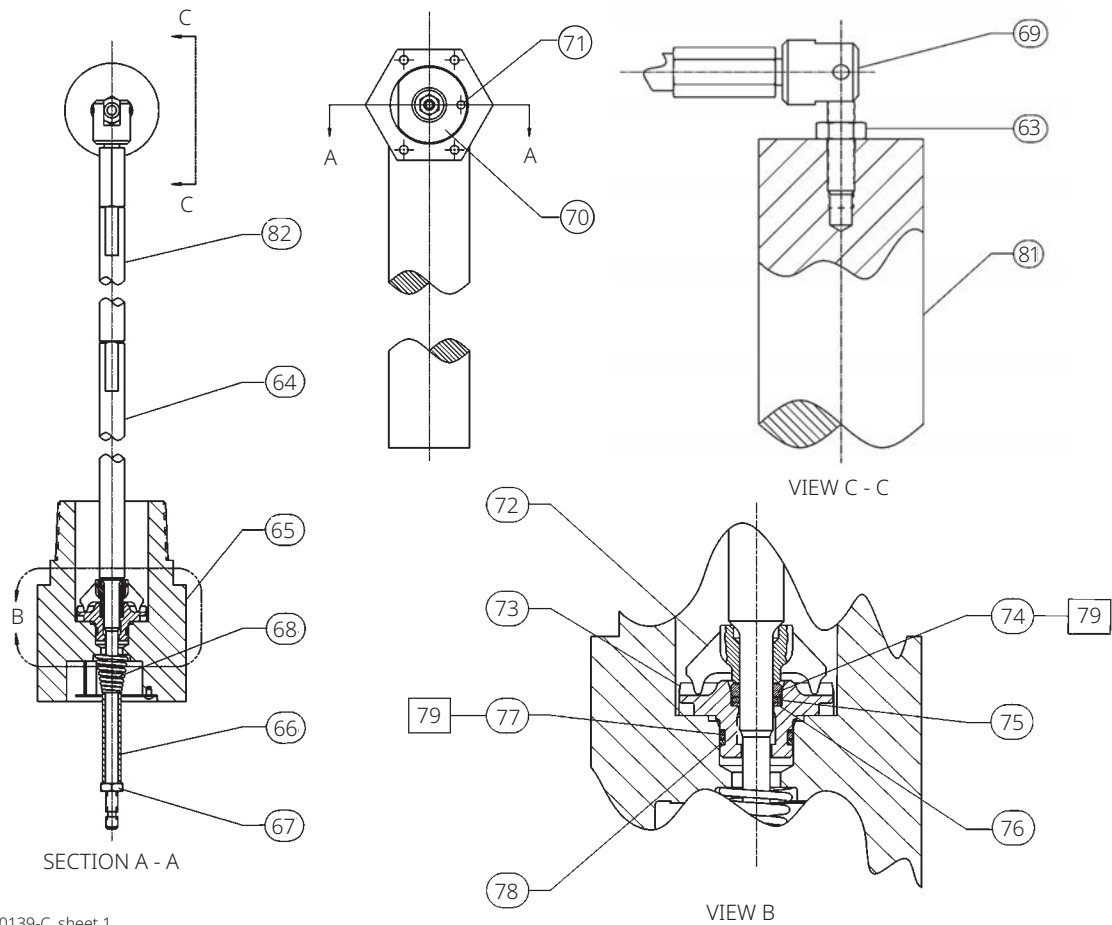
### 6.2 Replacing the Sensor O-rings

Refer to Figure 7 for key number locations unless otherwise indicated.

## Disassembly

1. Remove the controller from the sensor by following the procedure outlined in the previous section.
2. Remove the sensor from the tank.
3. Unscrew the hex nut (key 67) and remove the spacer (key 66) and spring (key 68). After removing the spring, replace the spacer (key 66) and hex nut (key 67) on the displacer rod. From the displacer end, pull the displacer rod away from the sensor connection (key 65) to pull the pivot base (key 73) loose from the sensor connection. Remove the hex nut (key 67) to permit removing the displacer rod, pivot base, pivot body and spacer from the sensor connection.
4. Slide the pivot base (key 73), retaining ring (key 76), anti-extrusion ring (key 75) and O-ring (key 74) off the displacer rod. Remove the O-ring (key 77) and backup ring (key 78) from the pivot base.

Figure 7. Sensor



GB0139-C, sheet 1

NOTE:

APPLY LUBRICANT/SEALANT.

## Assembly

### **WARNING**

**Improper assembly of the O-rings, anti-extrusion ring and backup ring could result in O-ring extrusion and permit leakage of process fluids. To avoid personal injury or property damage from leaking process fluid, be sure the O-rings, anti-extrusion ring and backup ring are assembled in the order shown in Figure 7.**

1. Place the pivot body (key 72) on the displacer rod (key 64) so that it is positioned as shown in Figure 7.
2. Slide the O-ring (key 74), anti-extrusion ring (key 75) and retaining ring (key 76) onto the displacer rod assembly (key 64). Be sure the O-ring, anti-extrusion ring and retaining ring are in the order shown in Figure 7. Slide the pivot base onto the displacer rod so that the points of the pivot body (key 72) will engage the slots in the pivot base (key 73).
3. Install the O-ring (key 77) and backup ring (key 78) into the groove on the pivot base (key 73). Be sure the backup ring is on the downstream pressure side of the O-ring as shown in Figure 7.
4. Insert the displacer rod (key 64) into the vessel side of the sensor connection (key 65).
5. The pivot base must seat in the slots cast in the sensor connection. These slots will be horizontal when the sensor connection (key 65) is oriented as shown in Figure 2.
6. To reduce the possibility of nicking the O-ring (key 77) on the pivot base, keep the displacer rod centered in the sensor connection as much as possible while pushing the pivot base into the sensor connection. Be sure the pivot base seats in the slots cast in the sensor connection.
7. Slide the spring (key 68) and spacer (key 66) onto the displacer rod and secure with the hex nut (key 67). Fully tighten the hex nut (key 67).
8. View the sensor connection from the vessel side. Ensure that the pivot body arms remain aligned with the pivot base arms (the two pivot body points are seated in the pivot base slots).
9. Install the sensor on the tank.

## 6.3 Replacing the Controller Relay

Refer to Figure 8 for key number locations unless otherwise indicated.

1. Disconnect the supply and output pressure lines.
2. Remove the two relay mounting screws (key 33) and pull the relay away from the controller base (key 1).
3. Install the new relay using two relay mounting screws (key 33). Make certain that the relay mounting O-rings (keys 43 and 44, not shown) are completely in their mounting bosses before installing the relay. Make certain span lever B (see Figure 5) is in line with and pushing in on the end of either the relay adjustment screw (key 49, throttling controller) or the pilot valve plug of the valve assembly (key 51, snap-acting controller).



## 6.4 Replacing the Controller Supply Filter

Refer to Figure 8 for key number locations unless otherwise indicated.

1. Disconnect the supply and output pressure lines.
2. Loosen the filter cap screws (key 17) and rotate the filter cap (key 14) to the side to uncover the supply filter (key 15).
3. Remove the old filter (key 15) and remove any debris from the filter boss.
4. Install a new supply filter. Reinstall the filter cap (key 14), and tighten the filter cap screws (key 17).

## Section 7: Related Documents

- Converting a Threaded NPT Connection to a Flange Connection — Supplement to Fisher L2, L2e and L2sj Liquid Level Controller Instruction Manuals (D103277X012)
- Dimensions for NPS 2 CL150 through 1500 Slip On Flange Connections — Supplement to Fisher L2, L2e and L2sj Liquid Level Controller Instruction Manuals (D103405X012)
- Fisher L2sj Low Emission Liquid Level Controller Instruction Manual (D103216X012)

All documents are available from your [Emerson sales office](#) or Fisher.com.

## Section 8: Parts

### 8.1 Parts Ordering

When corresponding with your Emerson sales office about this equipment, always mention the serial number of the controller. The serial number can be found on the nameplate (key 55, Figure 8).

#### **WARNING**

**Use only genuine Fisher replacement parts. Components that are not supplied by Emerson should not, under any circumstances, be used in any Fisher instrument. Use of components not supplied by Emerson may void your warranty, might adversely affect the performance of the valve and could cause personal injury or property damage.**

## 8.2 Parts Kits

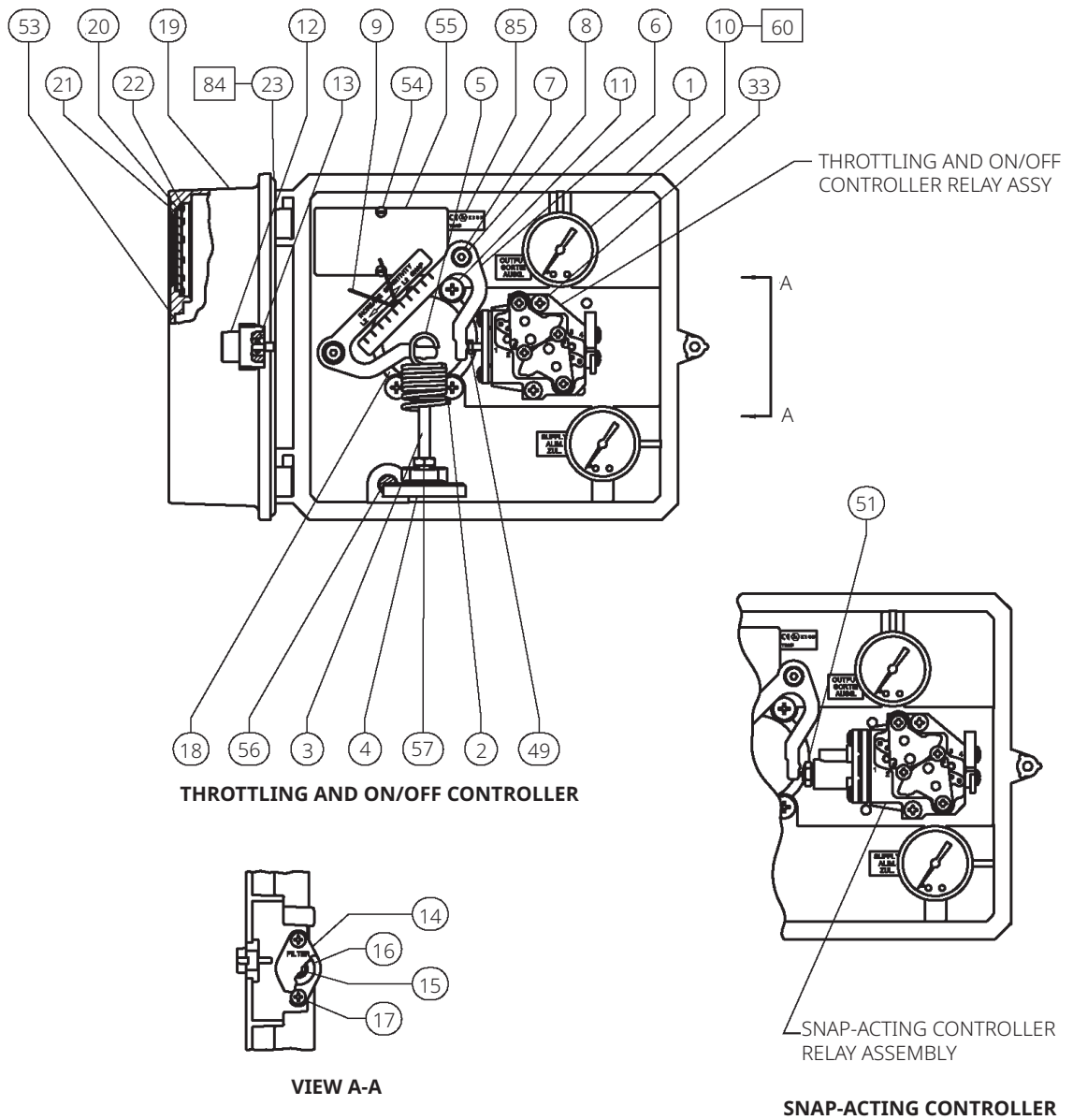
Description	Part Number
Controller Repair kit includes O-rings (keys 13 and 16) and gaskets (keys 18, 21 and 23)	RL2CNTRX012
Relay Repair kits includes relay assembly, relay mounting screws (key 33) and O-rings (keys 43 and 44) Throttling and On/Off Controller Snap-Acting Controller	GB0138X0012 GB0138X0022
Sensor Repair kit includes keys 74, 75, 77 and 78 (fluorocarbon O-rings, anti-extrusion ring and fluorocarbon backup ring)	RL2SENSX012

## 8.3 Parts List

### Controller

Key	Description	Key	Description
1	Controller Base	21*	Gasket <sup>(1)</sup> (2 req'd)
2	Zero Spring Seat	22	Retaining Ring (2 req'd)
3	Zero Adjustment Bolt	23*	Cover Gasket <sup>(1)</sup>
4	Spring Adjustment	33	Relay Mounting Screw <sup>(2)</sup> (2 req'd)
5	Zero Spring	43*	Relay Mounting O-ring <sup>(2)</sup> (not shown)
6	Span Lever Assembly	44*	Relay Mounting O-ring <sup>(2)</sup> (not shown)
7	Shoulder Screw (2 req'd)	49	Relay Adjustment Screw
8	Flanged Bearing (4 req'd)	51	Valve Assembly
9	Span Adjustor	52	Valve Assembly O-ring
10	Pressure Gauge (2 req'd)	53	Label, setup and calibration
11	Mounting Screw (4 req'd)	54	Self-Tapping Screw (2 req'd)
12	Cover Screw	55	Nameplate
13*	O-ring <sup>(1)</sup>	56	Screen
14	Filter Cap	57	Hex Nut
15	Filter	60	Anti-seize sealant (not furnished with controller)
16*	O-ring <sup>(1)</sup>	61	Lubricant (not furnished with controller)
17	Machine Screw (2 req'd)	62	Thread locking adhesive, medium strength (not furnished with controller)
18*	Sensor Gasket <sup>(1)</sup>	84	Adhesive
19	Cover	85	Nameplate, ATEX
20	Cover Lens (2 req'd)	-	-
* Recommended spare parts 1. Included in Controller Repair Kit 2. Included in Relay Repair Kit			

Figure 8. Fisher L2 Liquid Level Controllers



GB0137-D

NOTE:

□ APPLY LUBRICANT/SEALANT.

## Sensor

Key	Description	Key	Description
81	Displacer, 1-7/8x12 in.	72	Pivot Body
63	Hex Nut	73	Pivot Base
64	Displacer Rod	74*	O-ring <sup>(3)</sup>
65	Sensor Connection	75*	Anti-Extrusion Ring <sup>(3)</sup>
66	Spacer	76	Retaining Ring
67	Hex Nut	77*	O-ring <sup>(3)</sup>
68	Conical Spring	78*	Backup Ring <sup>(3)</sup>
69	Universal Joint (vertical displacer only)	79	Lithium grease (not furnished with sensor)
70	Nameplate	80	Instruction Tag
71	Drive Screw	82	Extension
* Recommended spare parts 3. Included in Sensor Repair Kit			

 [LinkedIn.com/groups/3941826](https://www.linkedin.com/groups/3941826)

 [Facebook.com/FisherValves](https://www.facebook.com/FisherValves)

 [Fisher.com](https://www.fisher.com)

 [Twitter.com/FisherValves](https://twitter.com/FisherValves)

D103032X012 © 2001, 2024 Fisher Controls International LLC. All rights reserved.

**Neither Emerson, nor any of its affiliated entities assume responsibility for the selection, use or maintenance of any product. Responsibility for proper selection, use, and maintenance of any product remains solely with the purchaser and end user.**

Fisher is a mark owned by one of the companies in the Emerson business unit of Emerson Electric Co. Emerson and the Emerson logo are trademarks and service marks of Emerson Electric Co. All other marks are the property of their respective owners.

The contents of this publication are presented for informational purposes only, and while every effort has been made to ensure their accuracy, they are not to be construed as warranties or guarantees, express or implied, regarding the products or services described herein or their use or applicability. All sales are governed by our terms and conditions, which are available upon request. We reserve the right to modify or improve the designs or specifications of such products at any time without notice.

Emerson  
Marshalltown, Iowa 50158 USA  
Sorocaba, 18087 Brazil  
Cernay, 68700 France  
Dubai, United Arab Emirates  
Singapore 128461 Singapore

[www.fisher.com](https://www.fisher.com)