

# Economical pressure reducing control



**FISHER™**

## Type R622 Pressure Reducing Regulator



### Introduction

Type R622 direct-operated, spring-loaded regulators provide economical pressure reducing control in a variety of residential, commercial and industrial applications. These regulators can be used with natural, manufactured or propane gases and have the same inlet and outlet pressure capabilities.

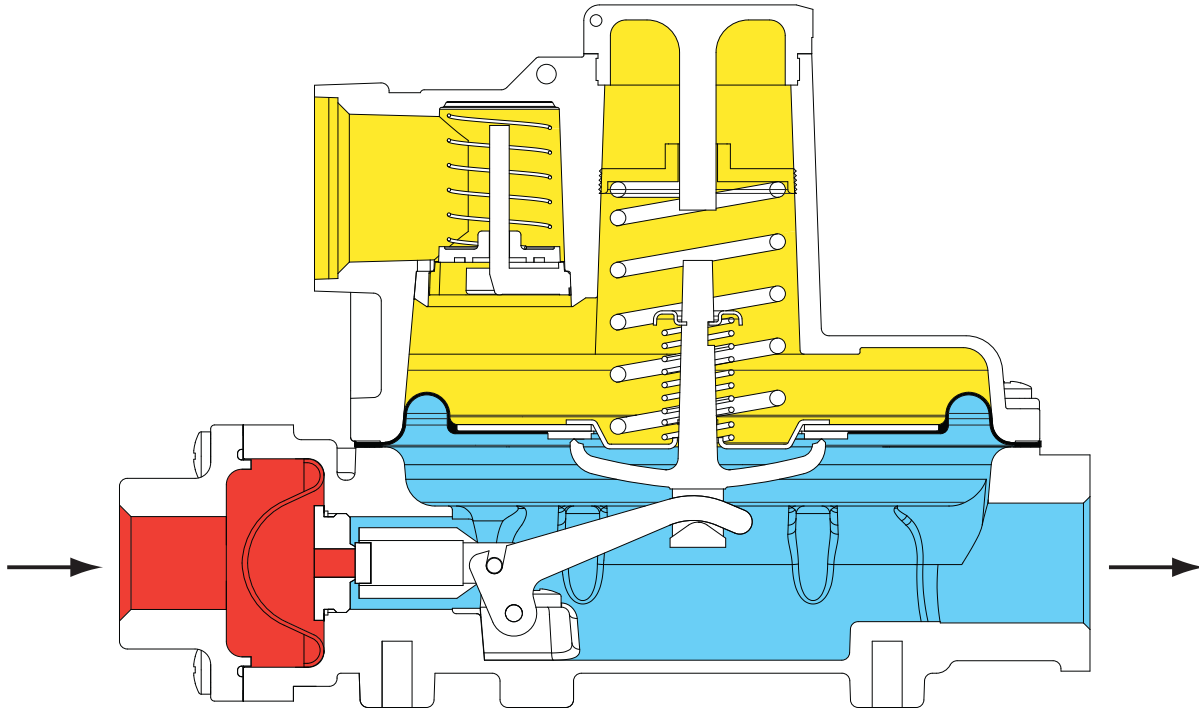
In addition, Type R622 regulators have internal relief across the diaphragm to help minimize overpressure. Any outlet pressure above the start-to-discharge point of the non-adjustable relief valve spring moves the diaphragm off of the relief valve seat, allowing excess pressure to bleed out through the screened spring case vent.

### Features

- Compact design
- High capacity
- Internal relief
- Protective inlet screen
- Light weight
- Inlet and outlet pressure gauge taps
- Ease of maintenance



# Operational Schematic



TYPE R622  
PRESSURE REDUCING REGULATOR



## Specifications:

- **Maximum Inlet Pressure:** Up to 125 psig / 8.62 bar
- **Maximum Outlet Pressure:** Up to 5.2 psig / 0.36 bar
- **Set Pressure Ranges:**
  - **1.8 to 2.2 in. w.c. / 4 to 5 mbar:**  
Maximum Inlet Pressure: 60 psig / 4.14 bar
  - **5 in. w.c. to 2.2 psig / 12 to 152 mbar**
- **Body Size:** 1/2 NPT
- **Temperature Ratings:** -20 to 180° F / -29 to 71° C
- **3/4 in. Vent Connection**
- **1/8 in. Inlet and Outlet Gauge Taps**
- **Materials of Construction:**
  - **Body, Spring Case, Diaphragm Plate and Orifice:** Aluminum
  - **Diaphragm, Disc and O-Ring:** Nitrile (NBR)
- **Applications:** Residential, light commercial, boilers and fast acting loads

### Emerson Automation Solutions

#### Americas

T +1 800 558 5853  
T +1 972 548 3574

✉ [webadmin.regulators@emerson.com](mailto:webadmin.regulators@emerson.com)

🔍 [Fisher.com](http://Fisher.com)

#### Europe

T +39 051 419 0611

📘 [Facebook.com/EmersonAutomationSolutions](https://Facebook.com/EmersonAutomationSolutions)

#### Asia Pacific

T +65 6777 8211

🌐 [LinkedIn.com/company/emerson-automation-solutions](https://LinkedIn.com/company/emerson-automation-solutions)

#### Middle East / Africa

T +971 4811 8100

🐦 [Twitter.com/emr\\_automation](https://Twitter.com/emr_automation)