

# The choice for your Snappy Joe™ shutoff valve



## **FISHER™** Type P539A actuator for Type N551 emergency shutoff valves

**Only Fisher™ P Series actuators are designed and approved for use on Fisher valves**

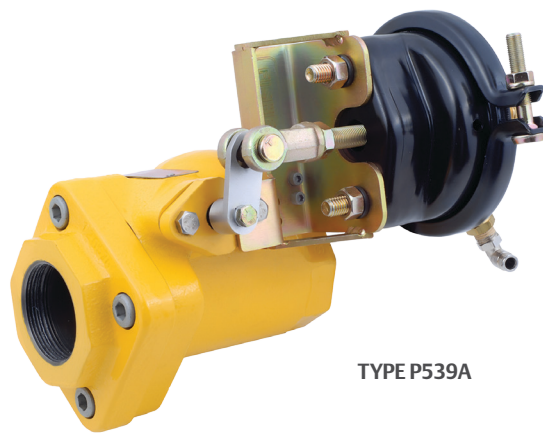
### **Type P539A Pneumatic Actuator\***

Provides the control needed for your Fisher Type N550/N551 Snappy Joe emergency shutoff valve. Designed to prevent over-stroking of the valve while delivering full valve capacity, the Type P539A is the only design proven to meet Fisher specifications for valve performance and reliability. Use of alternate manufacturers actuator design may cause damage to the valve and void the valve warranty. Easy installation. Durable construction. Reliable performance. Why take a chance with someone else's actuator on your Fisher valve?

\*Valve shown not included

### **Superior Service and Support**

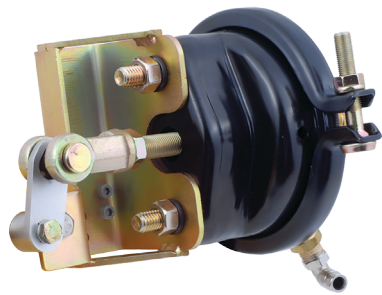
Emerson's industry leading service and support offers a complete line of LPG equipment with a worldwide distribution network. Our experienced sales and support teams consist of more than 2,000 technical experts available to serve you from nearly 200 offices worldwide. Contact Emerson to learn more about our services.



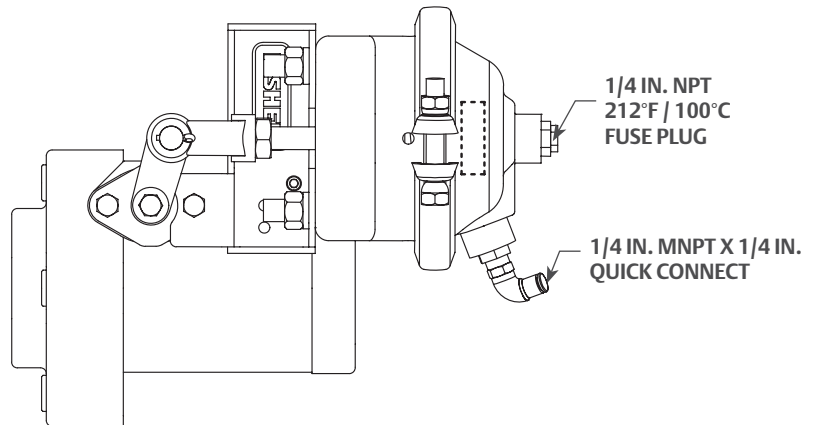
TYPE P539A



# LPG equipment and accessories



TYPE P539A



## Specifications

- **Pressure Source:** Air and Nitrogen
- **Minimum System Pressure:** 20 psig / 1.38 bar
- **Maximum Working Pressure:** 30 psig / 2.07 bar
- **Recommended Pressure Limits:** 20 to 25 psig / 1.38 to 1.73 bar
- **Temperature Limits:** -40 to 150°F / -40 to 66°C
- **Return Mechanism:** Internal spring, No air
- **Thermal Release:** 1/4 in. NPT in actuator housing
- **Thermal Release Melt Point:** 212°F / 100°C

## Features

- Designed and calibrated for Fisher™ valves to deliver full capacity with no valve over-stroke to promote increased Type N550/N551 service life
- Plated steel bracket construction
- Corrosion resistant, Automotive grade hardware
- 212°F / 100°C Thermal fuse element
- 1/4 in. / 6.35 mm Air supply line quick connect fitting
- Easy installation, Retrofit of Type P327C

### Emerson Automation Solutions

#### Americas

T +1 800 558 5853  
T +1 972 548 3574

✉ [webadmin.regulators@emerson.com](mailto:webadmin.regulators@emerson.com)

🔍 [Fisher.com](http://Fisher.com)

#### Europe

T +39 051 419 0611

📘 [Facebook.com/EmersonAutomationSolutions](https://Facebook.com/EmersonAutomationSolutions)

#### Asia Pacific

T +65 6777 8211

🌐 [LinkedIn.com/company/emerson-automation-solutions](https://LinkedIn.com/company/emerson-automation-solutions)

#### Middle East / Africa

T +971 4811 8100

🐦 [Twitter.com/emr\\_automation](https://Twitter.com/emr_automation)