

Fisher™ 480 Series Yokeless Piston Actuators

Contents

Introduction	1
Scope of Manual	1
Description	1
Specifications	1
Educational Services	4
Actuator Configurations	4
Installation	5
Principle of Operation	7
Pressure Connections	8
Adjustments	8
Actuator Maintenance	8
Disassembly	9
Parts Ordering	12
Parts Kits	12
Parts List	12

Figure 1. Fisher 480-15 Piston Actuator



W1867

Introduction

Scope of Manual

This instruction manual provides installation, maintenance, and parts information for Fisher 480 Series yokeless piston actuators.

Do not install, operate, or maintain 480 Series actuators without being fully trained and qualified in valve, actuator, and accessory installation, operation, and maintenance. To avoid personal injury or property damage, it is important to carefully read, understand, and follow all the contents of this manual, including all safety cautions and warnings. If you have any questions about these instructions, contact your [Emerson sales office](#) or Local Business Partner before proceeding.

Description

480 Series actuators (figure 1) are yokeless piston actuators that are used in either throttling or on/off applications with ball valves, butterfly valves, louvers, dampers, and rheostats. They require pneumatic pressure loading from double-acting positioners (Fisher 3570) or from on/off loading and unloading devices.

Specifications

Table 1 lists specifications for the 480 Series actuator and table 3 lists specifications for the 3570 actuator.

Table 1. Fisher 480 Series Actuator Specifications

<p>Available Configurations See the Actuator Configurations section.</p> <p>Cylinder Pressure Maximum Allowable:⁽⁴⁾ 10.3 bar (150 psig) Required to Produce a Given Thrust: See figure 2 Minimum Recommended: Valves with low torque requirements -- (2.4 bar [35 psig]); all other valves -- (3.4 bar [50 psig])</p> <p>Maximum Supply Source Consumption With Positioner and Constant Input Signal: 0.54 normal m³/hr⁽¹⁾ (20 scfh⁽¹⁾) of air at 6.9 bar (100 psig) Without Positioner: Depends on cylinder volume and supply pressure</p> <p>Travel Information Maximum Rated Travels, All 480 Series actuators with Linear Output: See table 2 Travel Stops Available for 480 Series actuators with 105 mm (4.125 inch) Maximum Rated Travels: See table 2</p> <p>Thrust Information See figure 2</p> <p>Torque Output 480, 480-15, and 480-16 (for butterfly valves): Contact your Emerson sales office or Local Business Partner</p>	<p>Stroking Speeds See table 2</p> <p>Operative Ambient Temperature⁽²⁾ With Nitrile O-Rings: -46 to 80°C (-50 to 175°F) With Fluorocarbon O-Rings (Optional):⁽³⁾ -18 to 149°C (0 to 300°F)</p> <p>Actuator Size and Piston Size See table 2</p> <p>Pressure Connections Standard is 1/4 NPT. For larger sizes, contact your Emerson sales office.</p> <p>Construction Materials Actuator:</p> <table border="1"> <thead> <tr> <th>Part</th> <th>Material</th> </tr> </thead> <tbody> <tr> <td>Cylinder and Piston</td> <td>Aluminum</td> </tr> <tr> <td>Piston Rod Extension</td> <td>SST, Chrome Plated</td> </tr> <tr> <td>Cylinder Seal Bushings</td> <td>Brass</td> </tr> <tr> <td>O-Rings</td> <td>Nitrile or Fluorocarbon</td> </tr> </tbody> </table> <p>Options</p> <ul style="list-style-type: none"> ■ 376 Series trip valve system to fail actuator ■ up or ■ down or ■ lock in last position ■ TopWorx™ DXP M21GNEB electrical valve stem position switch ■ Micro-Switch limit switches 	Part	Material	Cylinder and Piston	Aluminum	Piston Rod Extension	SST, Chrome Plated	Cylinder Seal Bushings	Brass	O-Rings	Nitrile or Fluorocarbon
Part	Material										
Cylinder and Piston	Aluminum										
Piston Rod Extension	SST, Chrome Plated										
Cylinder Seal Bushings	Brass										
O-Rings	Nitrile or Fluorocarbon										

1. Normal m³/hr. - normal cubic meters per hour (0°C and 1.01325 bar, absolute); Scfh - standard cubic feet per hour (60°F and 14.7 psia).
 2. These terms are defined in ANSI/ISA Standard 551.1
 3. Without snubber. If this actuator has a snubber, the temperature specification is the same for the nitrile version.
 4. The pressure limits in this bulletin and any applicable standard or code limitation for actuator should not be exceeded.

Table 2. Size, Piston, Stroking Speed, and Travel Information

ACTUATOR SIZE	EFFECTIVE PISTON AREA		PISTON DIAMETER		STROKING SPEED ⁽¹⁾		SINGLE-FLANGE				TRAVEL STOPS AVAILABLE FOR ACTUATORS WITH 105 mm (4.125 INCHES) MAXIMUM RATED TRAVEL	
	Cm ²	Inch ²	mm	Inch	mm/s	Inch/s	-16 Versions		All Others Except Fisher 487, 487-1 ⁽²⁾		mm	Inch
							mm	Inch	mm	Inch		
30	107	16.5	121	4.75	102	4	---	---	105	4.125	89	3.5
40	182	28.25	156	6.125	52	2.05	206	8.125	105	4.125	89	3.5
60	258	55.5	216	8.5	33	1.30						

1. For actuators with positioners at 6.9 bar (100 psig) supply pressure and all prestroke conditions satisfied. Stroking speeds for actuators without positioners or with snubbers will depend on the particular construction involved.
 2. See 480 series Actuators Specifications for these travels.

Table 3. Fisher 3570 Actuator Specifications

Available Configurations

3570: Valve positioner with two relays and three pressure gauges for monitoring input signal and output pressures to the top and underside of the actuator piston
 3570C: Similar to 3570 except that the positioner is equipped with automotive tire valves instead of pressure gauges. The valves can be used for clip-on test pressures gauges. The relay nozzles on these positioners are locked in place with locknuts to resist unwanted nozzle movement due to vibration

Input Signal

Standard Ranges: 0.2 to 1.0 bar (3 to 15 psig) or 0.4 to 2.0 bar (6 to 30 psig)
 Split Ranges: Typically uses one half of standard range when two control valves are operated by one input signal from a single controller
 Optional Ranges: As required within the limits of the bellows

Bellows Pressure Rating

Standard Bellows: 3.4 bar (50 psig)
 Optional Bellows: 6.2 bar (90 psig)

Supply Pressure

Maximum: 10.3 bar (150 psig)
 Minimum: 2.4 bar (35 psig)

Output Signal

Type: Pneumatic pressure as required by the actuator
 Action: Field reversible between direct and reverse (see table 4)

Hysteresis^(1,2)

0.15% of total stroke or instrument pressure span

Resolution^(1,2)

0.2% of instrument pressure span

Repeatability^(1,2)

0.3% of instrument pressure span

Frequency Response^(1,2)

See figure 3

Pressure Connections

Vent: 3/8 NPT
 All Others: 1/4 NPT

Pressure Indications

3570C: Tire valves accept standard pressure gauge chucks
 3570: See table below

Type of Indication	Number Used	Standard Gauge Range bar (psig)
Positioner input signal gauge	1	0 to 2.1 (0 to 30) or 0 to 4.1 (0 to 60)
Cylinder supply pressure gauge	0	0 to 11.0 (0 to 160)

Static Air Consumption⁽³⁾

0.56 normal m³/hr (20 scfh) with 6.9 bar (100 psig) supply pressure

Operative Ambient Temperature^(1,2)

With Nitrile O-Rings: -34 to 79°C (-30 to 175°F)
 With Fluorocarbon O-Rings (Optional):⁽³⁾
 -18 to 149°C (0 to 300°F)

Construction Materials

Actuator:

Part	Material
Base, Cover and Beam	Aluminum, die cast
Bellows	Brass
Bias and Range Spring	Steel, Plated
Relay Body	Zinc, Die Cast
Relay Nozzle(s)	SST
Diaphragm	Nitrile or Fluorocarbon
O-Rings	Nitrile or Fluorocarbon

Options

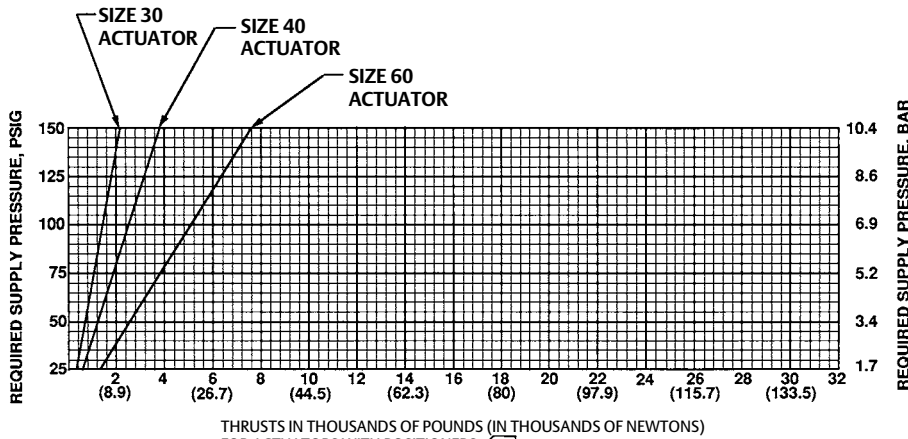
Fisher SS-52 clip-on chuck (with or without gauge) for 3570C positioners

1. These terms are defined in ANSI/ISA Standard S51.1

2. For actuator with positioner only. Does not apply to other constructions or actuator-valve combination.

3. Normal m³/hr.- normal cubic meters per hour (0°C and 1.01325 bar, absolute); Scfh - standard cubic feet per hour (60°F and 14.7 psia).

Figure 2. Supply Pressure and Thrusts

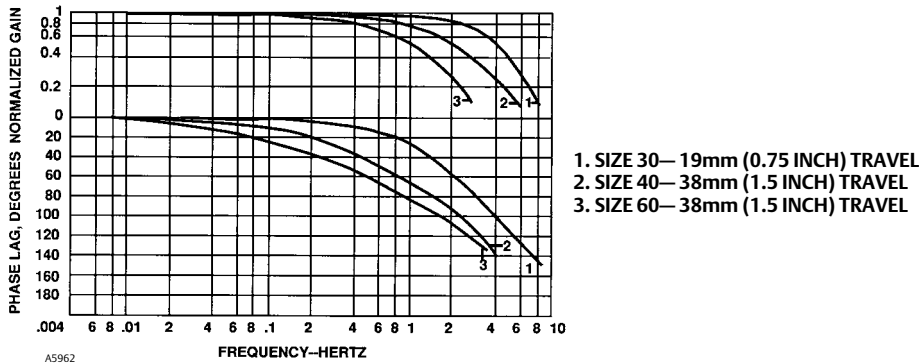


NOTE:

1 MAY BE INCREASED BY 10% FOR ACTUATORS WITHOUT POSITIONERS. EITHER THIS THRUST, OR THE MAXIMUM ALLOWABLE LOADING FOR THE CONTROL DEVICE IS THE LIMITING FACTOR FOR USABLE ACTUATOR FORCE.

A5961

Figure 3. Frequency Response



A5962

Educational Services

For information on available courses for Fisher 480 Series actuators, as well as a variety of other products, contact:

Emerson Automation Solutions
 Educational Services - Registration
 Phone: 1-641-754-3771 or 1-800-338-8158
 E-mail: education@emerson.com
 emerson.com/fishervalvetraining

Actuator Configurations

480: Yokeless piston actuator with positioner.

481: Yokeless piston actuator without positioner. Other actuators may be obtained without positioner by adding -1 to the type number.

The above actuators come with standard mounting flange, 105 mm (4.125 inch) maximum rated travel, and threaded piston rod connection with sizes 30 through 60 for mounting on ball valves, louvers, and dampers with brackets.

These actuators may be obtained with the following alternate universal mounting flange constructions:

-15 Added to Type Number: Allows butterfly valve mounting for a standard actuator with 105 mm (4.125 inch) maximum travel and threaded piston rod connection, and comes in sizes 30 through 60.

-16 Added to Type Number: Provides 206 mm (8.125 inch) maximum travel and threaded piston rod connection, and comes in sizes 40 through 60.

Table 4. Action Under Normal Operating Conditions

ACTUATOR DESCRIPTION		DESIRED PISTON MOTION	
		Down	Up
With Positioner	Direct-acting	Increasing input signal pressure to bellows ⁽¹⁾	Decreasing input signal pressure to bellows ⁽¹⁾
	Reverse-acting	Decreasing input signal pressure to bellows ⁽¹⁾	Increasing input signal pressure to bellows ⁽¹⁾
Without positioner		Supply pressure loaded on top of piston, exhausted from bottom	Supply pressure loaded on bottom of piston, exhausted from top

1. Supply pressure is routed through relays to piston.

Installation

⚠ WARNING

Always wear protective gloves, clothing, and eyewear when performing any installation operations to avoid personal injury.

Personal injury or equipment damage caused by sudden release of pressure may result if the valve assembly is installed where service conditions could exceed the limits given in table 1 or 3 or on the appropriate nameplates. To avoid such injury or damage, provide a relief valve for overpressure protection as required by accepted industry or local, state, and Federal codes and good engineering practices.

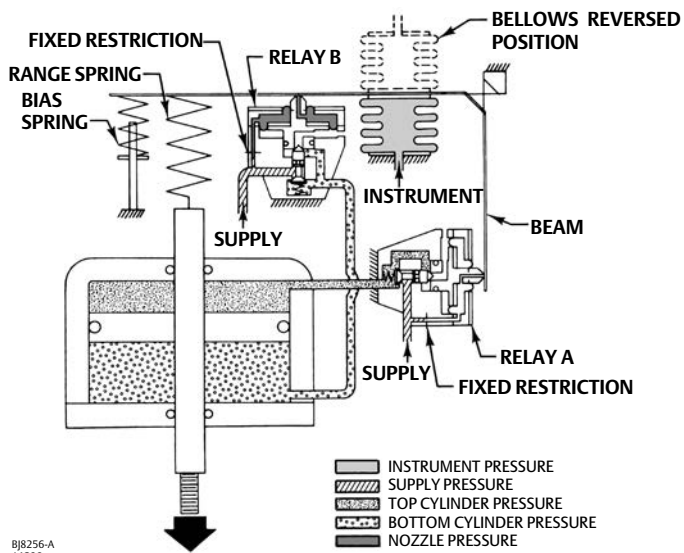
Check with your process or safety engineer for any additional measures that must be taken to protect against process media.

If installing into an existing application, also refer to the WARNING at the beginning of the Maintenance section in this instruction manual.

Inspect this equipment on arrival to note any damage which may have occurred in transit. If the actuator is attached to a valve body when received, install the valve in the pipeline with flow in the direction of the arrow on the valve body. (Some valve types, notably various butterfly valves, can be installed with flow in either direction and are unmarked as to proper flow direction.)

A three-valve bypass around the main valve is recommended to permit continuous operation during periodic maintenance or inspection of the main valve.

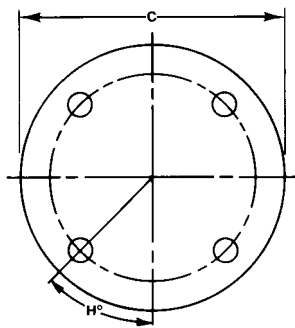
Figure 4. Operation of Actuator with Positioner



Bj8256-A
A1286

When 480 Series actuators are supplied to operate dampers, louvers, or similar equipment, a suitable mounting plate should be provided, and the piston rod of the actuator connected to the operating arm of the damper, etc., with appropriate linkage.

Figure 5. Cylinder Diameter and Bolt Center Location, All Actuators (refer to table 5)

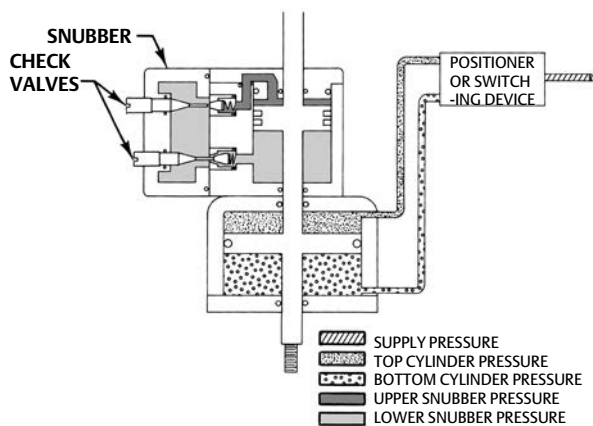


BH9452-K
A1290

Table 5. Cylinder Diameter and Bolt Center Location, All Actuators

ACTUATOR SIZE	C		H, DEGREE OF ARC	
	mm	Inch	Standard Flange	Universal Mounting Flange
30	171	6.75	0	45
40	206	8.12	45	45
60	267	10.50	22.5	45

Figure 6. Operation of Actuator with Snubber



Principle of Operation

Actuator

These actuators react to a pressure unbalance that is created by loading supply pressure on one side of the piston and unloading the opposite side. Some type of switching device is required to shift the supply pressure from one side of the piston to the other. For most actuators in the 480 Series, this device is a 3570 positioner. However, a separate loading device must be provided for actuators without positioners.

For actuators with positioners (figure 4), the pneumatic output signal from a controller or instrument is piped to the positioner bellows. As long as the bellows receives a constant input signal pressure, the beam remains motionless and allows supply pressure to bleed through both relay nozzles so that a constant pressure is maintained between the nozzle and the fixed orifice. The relays are in equilibrium with their inlet and exhaust valves closed.

Assume that a downward piston motion is required and the bellows receives a corresponding change in input signal pressure. This causes the beam to pivot so that it covers the nozzle on relay A. (Beam movement is accomplished either by increasing the input signal pressure on a direct-acting positioner to expand the bellows, or by decreasing the input signal pressure on a reverse-acting positioner to contract the bellows.)

The nozzle pressure in relay A increases due to the restriction created by the beam over the nozzle. Through relay action, the air pressure to the top of the piston is increased. At the same time, relay B reacts to the change in beam position to decrease the pressure to the underside of the piston. Due to the resulting unbalanced forces acting on the piston, it moves down, changing the valve plug position.

Piston movement is fed back to the beam by means of a range spring which is connected to the beam and to the piston rod extension, applying a force to the beam opposite to that caused by the expanding or contracting bellows. This feedback arrangement prevents overcorrection and ensures a definite position of the piston and valve plug for a given instrument signal.

If upward piston motion is required, the beam pivots over the nozzle on relay B. The result is relay, piston, and feedback action opposite that for downward piston motion.

Reversal of positioner action is accomplished simply by removing four screws, inverting the bellows, and installing two bellows posts for support if the change is from direct to reverse action. Bellows posts are stored in the positioner case and are not used if the change is from reverse to direct.

Actuator with Snubber

As the actuator piston strokes, the snubber piston moves inside an oil-filled cylinder, forcing oil from one side of the piston to the other through two check valves (see figure 6). The resistance to flow created by the settings of the check valves and the shock absorbing quality of the oil combine to damp out any tendency of the valve plug to jump. The plug of each check valve is held off its seat by the positioning of the adjusting screws. Thus, with the adjusting screws backed off all the way, maximum damping will be obtained.

Pressure Connections

480

The 3570 positioner, an integral part of 480 actuator units, is factory-assembled to the actuator. Two connections, "Supply" and "Instrument", remain to be made after valve installation. Both are 1/4 NPT holes in the positioner and are labelled. Minimum supply pressure is 2.4 bar (35 psig), but for optimum performance, supply pressure should be held as near as possible to the 10.3 bar (150 psig) maximum. Supply pressure air or gas should be clean and dry, as well as non-corrosive. Use of a Fisher 252 filter is recommended.

The positioner case should always be vented to prevent pressure buildup. If the valve is installed with the actuator below the pipeline, provide a new vent location in the lowest part of the case by removing the cadmium-plated pipe plug from the case and screwing it into the standard vent location. This also serves as a drain hole to prevent accumulation of condensate.

481

The 481 actuator also requires 1/4 NPT external supply pressure piping. The 481 has only a pressure tap cover on top of the cylinder. Supply air pressure must be connected to it, and also to the lower cylinder connection located near the cylinder/cylinder flange joint. An external four-way valve or other switching device must be provided between the main supply pressure line and these two actuator pressure connections.

Adjustments

All three adjustments on the 480 actuator are on the 3570 positioner. For further information on the positioner, such as Adjustments, Maintenance, Reversing, and Relay Operation, refer to the Fisher 3570 instruction manual, [D200137X012](#).

The 481 actuator requires no adjustments.

Actuator Maintenance

⚠ WARNING

Avoid personal injury from sudden release of process pressure. Before performing any maintenance operations:

- Do not remove the actuator from the valve while the valve is still pressurized.
- Always wear protective gloves, clothing, and eyewear when performing any maintenance operations to avoid personal injury.
- Disconnect any operating lines providing air pressure or a control signal to the actuator. Be sure the actuator cannot suddenly open or close the valve.
- Use bypass valves or completely shut off the process to isolate the valve from process pressure. Relieve process pressure on both sides of the valve. Drain the process media from both sides of the valve.
- Use lock-out procedures to be sure that the above measures stay in effect while you work on the equipment.

- **The valve packing box may contain process fluids that are pressurized, even when the valve has been removed from the pipeline. Process fluids may spray out under pressure when removing the packing hardware or packing rings.**
 - **Check with your process or safety engineer for any additional measures that must be taken to protect against process media.**
-

It is necessary for efficient and proper operation of the actuator that all parts be free from dirt, abrasives, and foreign material. Upon assembly at the factor, all synthetic rubber O-rings have been coated with water-resistant lithium grease. It is recommended that this lubricant be used on all O-rings, especially those on moving parts or in contact with moving parts, whenever the actuator is dismantled.

Disassembly

Refer to figures 7 and 8.

References to “positioner” can be ignored if a 481 actuator is involved.

1. Bypass the valve body or shut off the pressure in the pipeline.

CAUTION

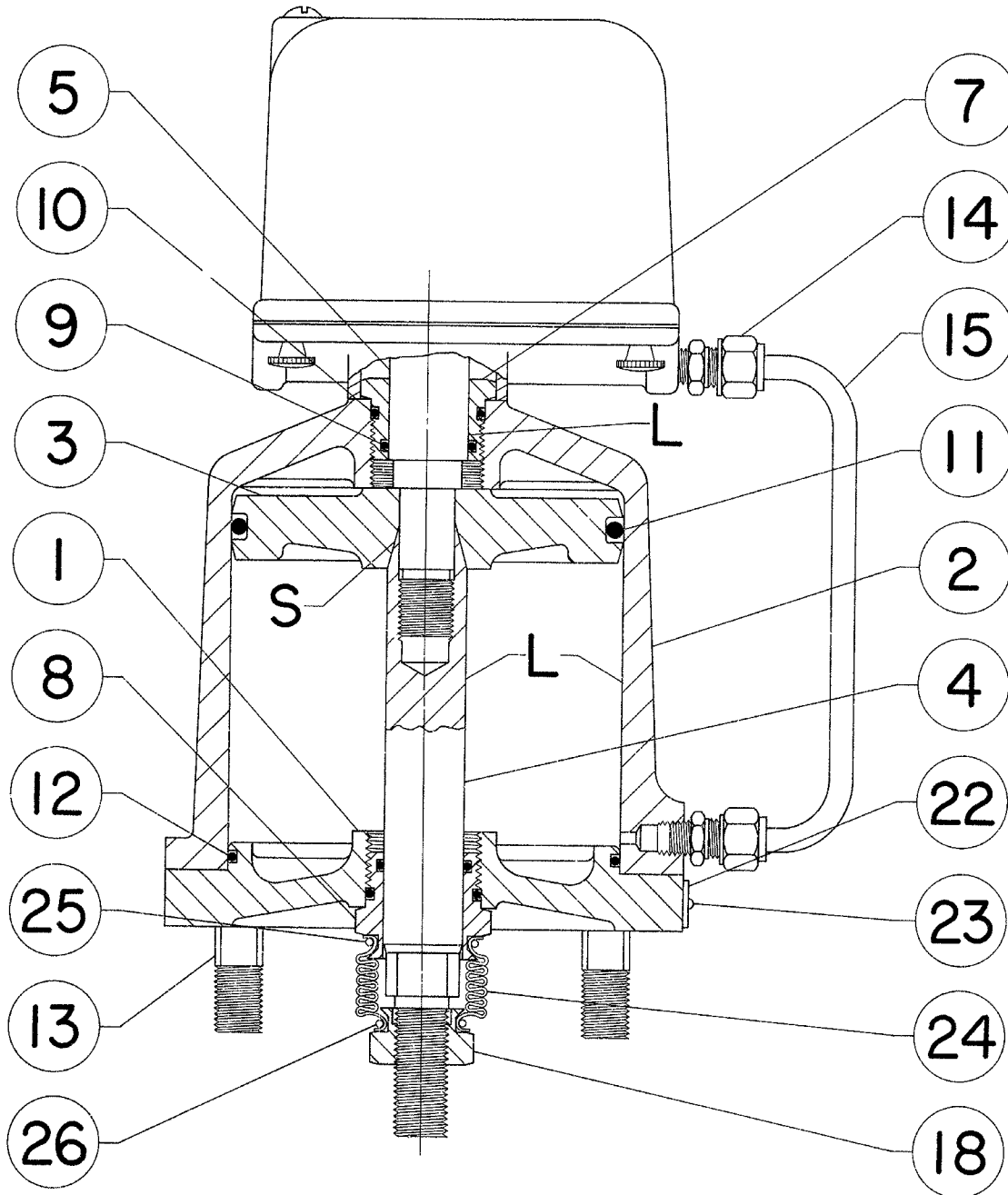
The adjustable linkage between the actuator and the main valve should not be disconnected when the valve is open with fluid flowing. (Dampers or louvers should be in safe, stable positions prior to disconnection.)

2. Shut off all pressure to the actuator. Remove all tubing lines (cylinder, instrument, and supply) from the actuator.
3. Remove the positioner cover after loosening the four cover screws on the underside of the positioner base.
4. Disengage the range spring by unscrewing the spring retainer from the piston rod extension.
5. Loosen the two cap screws that hold the positioner to the cylinder. When removing the positioner, do not lose the small O-ring that is used in the passage from the positioner to the top of the cylinder.
6. Next remove the clevis bolt from the adjustable linkage. Remove the bottom snap ring (key 26) and unscrew the clevis and the boot locknut from the actuator piston rod.
7. Remove the nuts that hold the cylinder to the mounting flange and lift off the cylinder.
8. Remove the stud bolts (key 123) that hold the cylinder to the cylinder flange. Two slots, 180 degrees apart, are located at the lower edge of the cylinder. Insert a screwdriver in these slots and pry the cylinder loose. The piston and piston rod will come out with the cylinder. the piston can then be removed by pulling it out the open end of the cylinder.
9. Unscrew both seal bushings (keys 7 and 8).
10. Inspect all parts for excessive wear and defects. Replace all worn O-rings. Lubricate as mentioned above.
11. To reassemble, reverse the above procedure.

Note

When reassembling the actuator after the piston rod extension (key 5) has been removed from the piston rod (key 4), clean the threads of the piston rod thoroughly and apply a thread locking adhesive (medium strength) to the threads. Tighten the piston rod extension securely to a torque of 203 N•m (150 lbf•ft). This torque is approximately equal to the torque that would be developed by placing a force of 150 pounds on the end of a one-foot wrench, 75 pounds on the end of a two-foot wrench, etc.

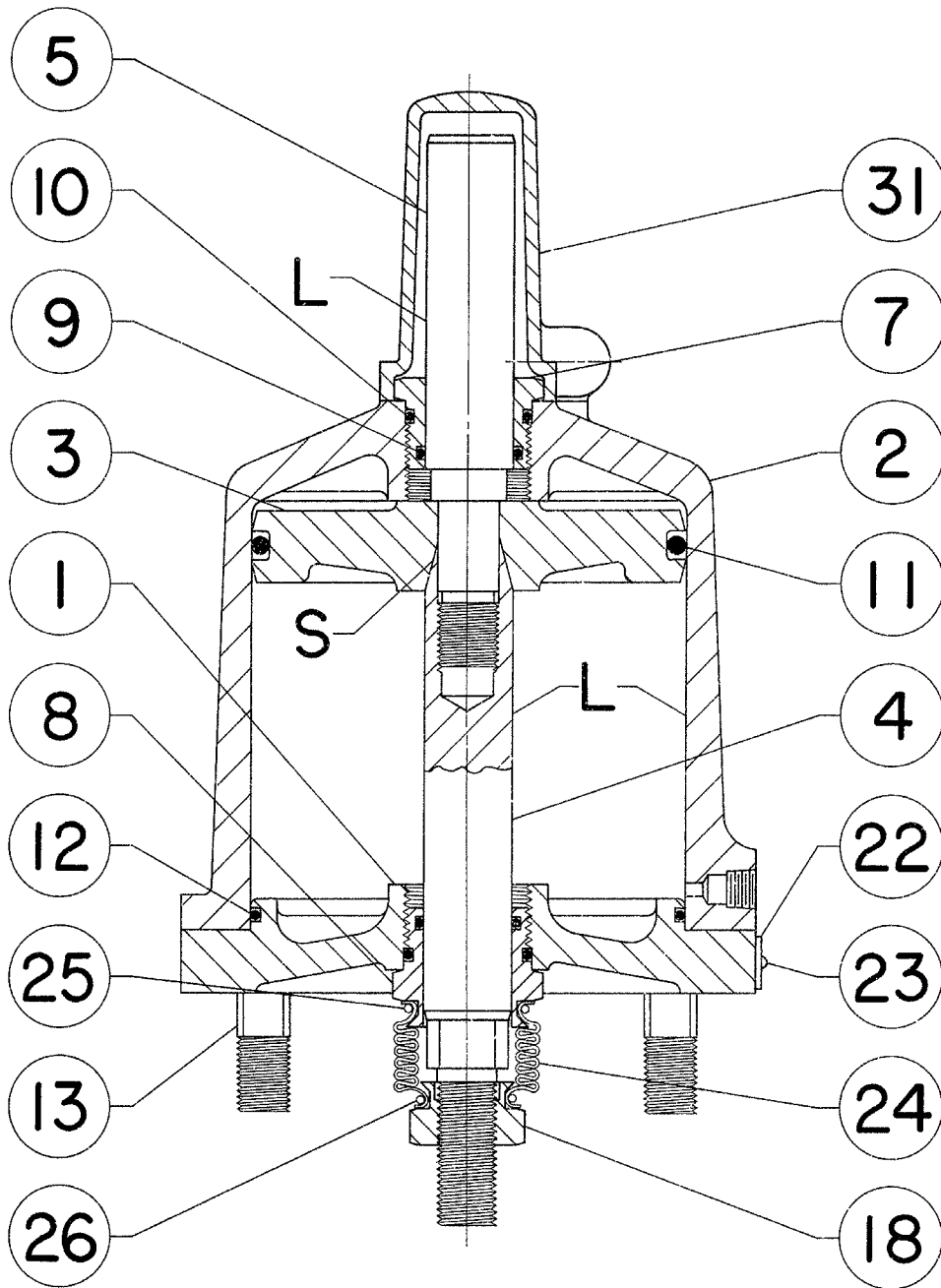
Figure 7. Fisher 480 Piston Actuator - Size 30- 60



PARTS NOT SHOWN: 27 AND 112

40A9540-A

Figure 8. Fisher 481 Piston Actuator - Size 30- 60



PARTS NOT SHOWN: 27, 78, 79, AND 112

Parts Ordering

When corresponding with your [Emerson sales office](#) or Local Business Partner about this equipment, refer to the serial number found on the actuator nameplate (key 22).

⚠ WARNING

Use only genuine Fisher replacement parts. Components that are not supplied by Emerson Automation Solutions should not, under any circumstances, be used in any Fisher valve, because they may void your warranty, might adversely affect the performance of the valve, and could cause personal injury and property damage.

Parts Kits

Description	Part Number	Description	Part Number
* Repair Kit		480, Size 60, 2 inch travel	R480X000032
Includes key numbers 9, 10, 11, 12, 24, 25, 26, and 78		480, Size 60, 4 inch travel	R470X000052
480, Size 30	R480X000012	480-16, Size 40	R480-16X012
480, Size 40	R480X000022	480-16, Size 60	R470-16X012

Parts List

Key	Description	Key	Description
		12*	Cylinder Seal O-ring
		13	Cylinder Stud
		14	Compression Fitting
		15	Cylinder Tubing
		18	Boot Locknut
		22	Nameplate
		23	Drive Screw
		24*	Piston Rod Boot
			Sizes 30, 40, and 60
		25	Top Boot Snap Ring
		26	Bottom Boot Snap Ring
		27	Travel stop
		30	Piston Nut
		31	Cylinder Cover
		45	Spring Retainer Spacer
		78*	Cover Seal
			481 only
		79	Cover Screw
		160	Pipe Plug

*Recommended spare parts

Neither Emerson, Emerson Automation Solutions, nor any of their affiliated entities assumes responsibility for the selection, use or maintenance of any product. Responsibility for proper selection, use, and maintenance of any product remains solely with the purchaser and end user.

Fisher and TopWorx are marks owned by one of the companies in the Emerson Automation Solutions business unit of Emerson Electric Co. Emerson Automation Solutions, Emerson, and the Emerson logo are trademarks and service marks of Emerson Electric Co. All other marks are the property of their respective owners.

The contents of this publication are presented for informational purposes only, and while every effort has been made to ensure their accuracy, they are not to be construed as warranties or guarantees, express or implied, regarding the products or services described herein or their use or applicability. All sales are governed by our terms and conditions, which are available upon request. We reserve the right to modify or improve the designs or specifications of such products at any time without notice.

Emerson Automation Solutions
 Marshalltown, Iowa 50158 USA
 Sorocaba, 18087 Brazil
 Cernay, 68700 France
 Dubai, United Arab Emirates
 Singapore 128461 Singapore

www.Fisher.com

