

TopWorx™ 4310 Wireless Position Monitor with On/Off Control Option (Supported Status)

Contents

Introduction	1
Safety Instructions	1
Specifications	2
Inspection and Maintenance Schedules	2
Parts Ordering	2
Installation	3
Operation	4
Maintenance	4
Non-Fisher (OEM) Instruments, Switches, and Accessories	6
Latest Published Instruction Manual	7

Introduction

The product covered in this document is no longer in production. This document, which includes the latest published version of the instruction manual, is made available to provide updates of newer safety procedures. Be sure to follow the safety procedures in this supplement as well as the specific instructions in the included instruction manual.

Part numbers in the included instruction manual should not be relied on to order replacement parts. For replacement parts, contact your [Emerson Process Management sales office](#).



For more than 20 years, Fisher products have been manufactured with asbestos-free components. The included manual might mention asbestos containing parts. Since 1988, any gasket or packing which may have contained some asbestos, has been replaced by a suitable non-asbestos material. Replacement parts in other materials are available from your sales office.

Safety Instructions

Please read these safety warnings, cautions, and instructions carefully before using the product.

These instructions cannot cover every installation and situation. Do not install, operate, or maintain this product without being fully trained and qualified in valve, actuator and accessory installation, operation and maintenance. To avoid personal injury or property damage it is important to carefully read, understand, and follow all of the contents of

this manual, including all safety cautions and warnings. If you have any questions about these instructions, contact your Emerson Process Management sales office before proceeding.

Specifications

This product was intended for a specific range of service conditions--pressure, pressure drop, process and ambient temperature, temperature variations, process fluid, and possibly other specifications. Do not expose the product to service conditions or variables other than those for which the product was intended. If you are not sure what these conditions or variables are, contact your [Emerson Process Management sales office](#) for assistance. Provide the product serial number and all other pertinent information that you have available.

Inspection and Maintenance Schedules

All products must be inspected periodically and maintained as needed. The schedule for inspection can only be determined based on the severity of your service conditions. Your installation might also be subject to inspection schedules set by applicable governmental codes and regulations, industry standards, company standards, or plant standards.

In order to avoid increasing dust explosion risk, periodically clean dust deposits from all equipment.

When equipment is installed in a hazardous area location (potentially explosive atmosphere), prevent sparks by proper tool selection and avoiding other types of impact energy. Control Valve surface temperature is dependent upon process operating conditions.

⚠ WARNING

Control valve surface temperature is dependent upon process operating conditions. Personal injury or property damage, caused by fire or explosion, can result if the valve body surface temperature exceeds the acceptable temperature for the hazardous area classification. To avoid an increase of instrumentation and/or accessory surface temperature due to process operating conditions, ensure adequate ventilation, shielding, or insulation of control valve components installed in a potentially hazardous or explosive atmosphere.

Parts Ordering

Whenever ordering parts for older products, always specify the serial number of the product and provide all other pertinent information that you can, such as product size, part material, age of the product, and general service conditions. If you have modified the product since it was originally purchased, include that information with your request.

⚠ WARNING

Use only genuine Fisher replacement parts. Components that are not supplied by Emerson Process Management should not, under any circumstances, be used in any Fisher product. Use of components not supplied by Emerson Process Management may void your warranty, might adversely affect the performance of the product and could result in personal injury and property damage.

Installation

⚠ WARNING

Avoid personal injury or property damage from sudden release of process pressure or bursting of parts. Before mounting the product:

- Do not install any system component where service conditions could exceed the limits given in this manual or the limits on the appropriate nameplates. Use pressure-relieving devices as required by government or accepted industry codes and good engineering practices.
- Always wear protective gloves, clothing, and eyewear when performing any installation operations.
- Do not remove the actuator from the valve while the valve is still pressurized.
- Disconnect any operating lines providing air pressure, electric power, or a control signal to the actuator. Be sure the actuator cannot suddenly open or close the valve.
- Use bypass valves or completely shut off the process to isolate the valve from process pressure. Relieve process pressure from both sides of the valve.
- Vent the pneumatic actuator loading pressure and relieve any actuator spring precompression so the actuator is not applying force to the valve stem; this will allow for the safe removal of the stem connector.
- Use lock-out procedures to be sure that the above measures stay in effect while you work on the equipment.
- The valve packing box might contain process fluids that are pressurized, *even when the valve has been removed from the pipeline*. Process fluids might spray out under pressure when removing the packing hardware or packing rings, or when loosening the packing box pipe plug. Cautiously remove parts so that fluid escapes slowly and safely.
- The instrument is capable of supplying full supply pressure to connected equipment. To avoid personal injury and equipment damage, caused by sudden release of process pressure or bursting of parts, make sure the supply pressure never exceeds the maximum safe working pressure of any connected equipment.
- Severe personal injury or property damage may occur from an uncontrolled process if the instrument air supply is not clean, dry and oil-free, or noncorrosive gas. While use and regular maintenance of a filter that removes particles larger than 40 microns will suffice in most applications, check with an Emerson Process Management field office and Industry Instrument air quality standards for use with corrosive gas or if you are unsure about the proper amount or method of air filtration or filter maintenance.
- For corrosive media, make sure the tubing and instrument components that contact the corrosive media are of suitable corrosion-resistant material. The use of unsuitable materials might result in personal injury or property damage due to the uncontrolled release of the corrosive media.
- If natural gas or other flammable or hazardous gas is to be used as the supply pressure medium and preventive measures are not taken, personal injury and property damage could result from fire or explosion of accumulated gas or from contact with hazardous gas. Preventive measures may include, but are not limited to: Remote venting of the unit, re-evaluating the hazardous area classification, ensuring adequate ventilation, and the removal of any ignition sources.
- To avoid personal injury or property damage resulting from the sudden release of process pressure, use a high-pressure regulator system when operating the controller or transmitter from a high-pressure source.

The instrument or instrument/actuator assembly does not form a gas-tight seal, and when the assembly is in an enclosed area, a remote vent line, adequate ventilation, and necessary safety measures should be used. Vent line piping should comply with local and regional codes and should be as short as possible with adequate inside diameter and few bends to reduce case pressure buildup. However, a remote vent pipe alone cannot be relied upon to remove all hazardous gas, and leaks may still occur.

- Personal injury or property damage can result from the discharge of static electricity when flammable or hazardous gases are present. Connect a 14 AWG (2.08 mm²) ground strap between the instrument and earth ground when flammable or hazardous gases are present. Refer to national and local codes and standards for grounding requirements.
- Personal injury or property damage caused by fire or explosion may occur if electrical connections are attempted in an area that contains a potentially explosive atmosphere or has been classified as hazardous. Confirm that area classification and atmosphere conditions permit the safe removal of covers before proceeding.

- For instruments with a hollow liquid level displacer, the displacer might retain process fluid or pressure. Personal injury or property damage due to sudden release of pressure, contact with hazardous fluid, fire, or explosion can be caused by puncturing, heating, or repairing a displacer that is retaining process pressure or fluid. This danger may not be readily apparent when disassembling the sensor or removing the displacer. Before disassembling the sensor or removing the displacer, observe the appropriate warnings provided in the sensor instruction manual.
- Personal injury or property damage, caused by fire or explosion from the leakage of flammable or hazardous gas, can result if a suitable conduit seal is not installed. For explosion-proof applications, install the seal no more than 457 mm (18 inches) from the instrument when required by the nameplate. For ATEX applications use the proper cable gland certified to the required category. Equipment must be installed per local and national electric codes.
- Check with your process or safety engineer for any additional measures that must be taken to protect against process media.
- If installing into an existing application, also refer to the WARNING in the Maintenance section.

Special Instructions for Safe Use and Installations in Hazardous Locations

Certain nameplates may carry more than one approval, and each approval may have unique installation requirements and/or conditions of safe use. Special instructions are listed by agency/approval. To get these instructions, contact [Emerson Process Management sales office](#). Read and understand these special conditions of use before installing.

⚠ WARNING

Failure to follow conditions of safe use could result in personal injury or property damage from fire or explosion, or area re-classification.

Operation

With instruments, switches, and other accessories that are controlling valves or other final control elements, it is possible to lose control of the final control element when you adjust or calibrate the instrument. If it is necessary to take the instrument out of service for calibration or other adjustments, observe the following warning before proceeding.

⚠ WARNING

Avoid personal injury or equipment damage from uncontrolled process. Provide some temporary means of control for the process before taking the instrument out of service.

Maintenance

⚠ WARNING

Before performing any maintenance operations on an actuator-mounted instrument or accessory:

- To avoid personal injury, always wear protective gloves, clothing, and eyewear.
- Provide some temporary measure of control to the process before taking the instrument out of service.
- Provide a means of containing the process fluid before removing any measurement devices from the process.
- Disconnect any operating lines providing air pressure, electric power, or a control signal to the actuator. Be sure the actuator cannot suddenly open or close the valve.
- Use bypass valves or completely shut off the process to isolate the valve from process pressure. Relieve process pressure from both sides of the valve.
- Vent the pneumatic actuator loading pressure and relieve any actuator spring precompression so the actuator is not applying force to the valve stem; this will allow for the safe removal of the stem connector.
- Personal injury or property damage may result from fire or explosion if natural gas or other flammable or hazardous gas is used as the supply medium and preventive measures are not taken. Preventive measures may include, but are not limited to: Remote venting of the unit, re-evaluating the hazardous area classification, ensuring adequate ventilation, and the removal of any ignition sources. For information on remote venting of this instrument, refer to the Installation section.
- Use lock-out procedures to be sure that the above measures stay in effect while you work on the equipment.
- The valve packing box might contain process fluids that are pressurized, *even when the valve has been removed from the pipeline*. Process fluids might spray out under pressure when removing the packing hardware or packing rings, or when loosening the packing box pipe plug. Cautiously remove parts so that fluid escapes slowly and safely.
- Check with your process or safety engineer for any additional measures that must be taken to protect against process media.
- On an explosion-proof instrument, remove the electrical power before removing the instrument covers in a hazardous area. Personal injury or property damage may result from fire and explosion if power is applied to the instrument with the covers removed.

Instruments Mounted on Tank or Cage

⚠ WARNING

For instruments mounted on a tank or displacer cage, release trapped pressure from the tank and lower the liquid level to a point below the connection. This precaution is necessary to avoid personal injury from contact with the process fluid.

Instruments With a Hollow Displacer or Float

⚠ WARNING

For instruments with a hollow liquid level displacer, the displacer might retain process fluid or pressure. Personal injury and property might result from sudden release of this pressure or fluid. Contact with hazardous fluid, fire, or explosion can be caused by puncturing, heating, or repairing a displacer that is retaining process pressure or fluid. This danger may not be readily apparent when disassembling the sensor or removing the displacer. A displacer that has been penetrated by process pressure or fluid might contain:

- pressure as a result of being in a pressurized vessel
- liquid that becomes pressurized due to a change in temperature
- liquid that is flammable, hazardous or corrosive.

Handle the displacer with care. Consider the characteristics of the specific process liquid in use. Before removing the displacer, observe the appropriate warnings provided in the sensor instruction manual.

Non-Fisher (OEM) Instruments, Switches, and Accessories

Installation, Operation, and Maintenance

Refer to the original manufacturer's documentation for Installation, Operation and Maintenance safety information.

Neither Emerson, Emerson Process Management, nor any of their affiliated entities assumes responsibility for the selection, use or maintenance of any product. Responsibility for proper selection, use, and maintenance of any product remains solely with the purchaser and end user.

Fisher is a mark owned by one of the companies in the Emerson Process Management business unit of Emerson Electric Co. Emerson Process Management, Emerson, and the Emerson logo are trademarks and service marks of Emerson Electric Co. All other marks are the property of their respective owners.

The contents of this publication are presented for informational purposes only, and while every effort has been made to ensure their accuracy, they are not to be construed as warranties or guarantees, express or implied, regarding the products or services described herein or their use or applicability. All sales are governed by our terms and conditions, which are available upon request. We reserve the right to modify or improve the designs or specifications of such products at any time without notice.

Emerson Process Management
Marshalltown, Iowa 50158 USA
Sorocaba, 18087 Brazil
Cernay, 68700 France
Dubai, United Arab Emirates
Singapore 128461 Singapore

www.Fisher.com

TopWorx™ 4310 무선 포지션 모니터(켜짐/꺼짐 제어 옵션 있음)

설명서 적용 대상

장치 유형	E0CE(16진수) 57550(10진수)
장치 개정	4
펌웨어 개정	5
DD 개정	1

목차

서론	2
설명서 범위	2
설명 용어	2
규격	4
FCC 준수	4
교육 서비스	4
설치	9
표준 및 연장 수명 전력 모듈 설치	10
외부 전력 옵션이 제공되는 유닛 설치	10
네트워크 설치	12
필드 커뮤니케이터 사용	12
AMS 무선 구성기 또는 AMS 장치 관리자 사용	13
위험 지역 분류 및 위험 지역에서의 안전한 사용과 설치를 위한 특별 지침	15
밸브/액추에이터 장착	19
슬라이딩-스텝(선형) 액추에이터 (예: Fisher 667)	21
쿼터턴(회전사프트) 액추에이터에 장착하기 위한 지침	22
켜짐/꺼짐 제어 옵션의 공압 접속 절차	24
벤트포트	26
통신 연결	26
무선 통신	26
기본 설정	28
로컬 사용자 인터페이스 사용	28
펌웨어 개정 식별	29
언어 선택	29
빠른 포지션	29
상태	30
전력	30
네트워크	30
검교정	31

그림 1. TopWorx 4310 무선 포지션 모니터(켜짐/꺼짐 제어 옵션 있음)



필드 커뮤니케이터 사용	33
개요	33
구성	35
정비 도구	46
액세스 기능	53
트립 포인트 및 데드밴드	53
진단 기능	53
찾기	57
유지 관리	58
계기 문제 해결	59
기기 교체	60
기기 제거	60
자기 피드백 어셈블리 교체	61
전력 모듈 교체	61
제거	61
설치	61
전력 모듈 변수 재설정	62
구성품 유지 관리 - 켜짐/꺼짐 제어 옵션	63
스풀 밸브와 공압 개스킷 제거	63
스풀 밸브와 공압 개스킷 설치	64
공압 접속부와 개스킷 제거	64
공압 접속부와 개스킷 설치	65
필터 교체	65

목차(계속)

부품	66
수리 키트	66
교체용 부품	66

서론

설명서 범위

이 설명서에는 TopWorx 4310에 대한 규격, 설치, 기본 설정, 구성, 유지 관리, 문제해결 정보가 담겨 있습니다.

이 설명서는 로컬 인터페이스 또는 필드 커뮤니케이터를 사용하여 기기를 설치하고 검교정하는 방법에 대해 설명합니다.

밸브, 액추에이터, 부속품의 설치, 작동, 유지 관리에 충분한 훈련을 받지 않고 자격이 없을 경우 TopWorx 4310을 설치, 작동 및 유지 관리하지 마십시오. 상해나 자산 손해를 피하려면 모든 안전 주의사항 및 경고를 포함하여 이 설명서의 모든 내용을 주의 깊게 읽고, 이해하고, 따르는 것이 중요합니다. 이러한 지침과 관련하여 의문 사항이 있을 경우에는 진행하기 전에 [Emerson Process Management 영업소](#)에 문의하십시오.

설명

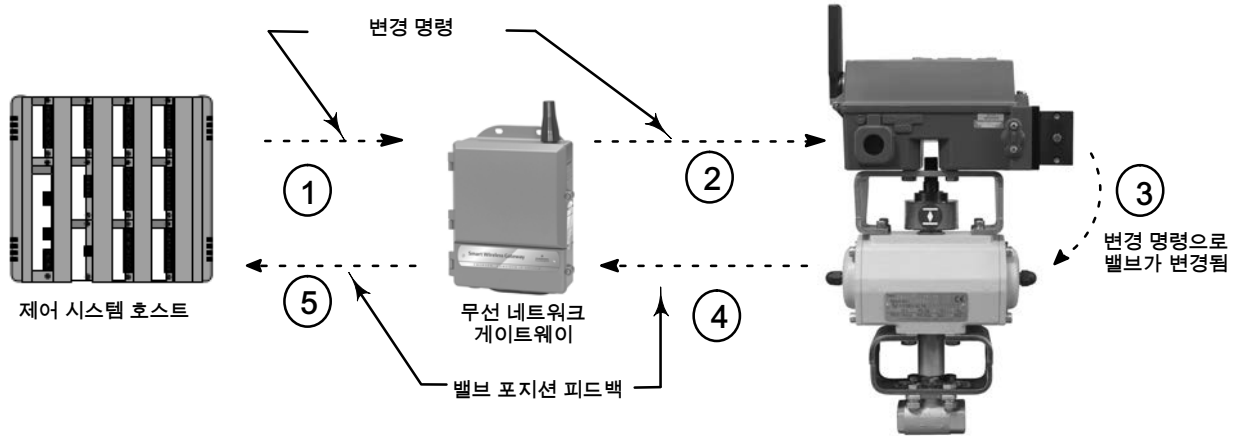
밸브 포지션은 비접촉식 비연계 피드백 센서에 의해 감지됩니다. 이동식 링키지가 없으며 4310은 자기식 홀 효과 센서를 사용하여 밸브 스템과 물리적으로 분리됩니다. 자기 배열이 밸브 스템에 장착되고 센서는 4310 하우징에 내장됩니다. 센서가 인쇄 회로 기판에 전기적으로 연결되어 제어 알고리즘에 사용되는 트래블 피드백 신호를 제공합니다.

켜짐/꺼짐 제어 옵션

4310 켜짐/꺼짐 제어기는 제어 호스트에 의해 생성되는 디지털 설정점을 중계하여 이산(열림/닫힘) 제어 동작을 밸브 액추에이터에 전달합니다. 그림 2에 표시된 바와 같이 밸브 포지션 피드백을 통해 제어 동작을 확인합니다. 밸브 명령은 공압 출력 신호로 변환됩니다. 공압 출력은 공급 압력에 연결되고, 설정점에 따라 밸브를 열거나 닫습니다. 출력은 Air-to-open 또는 Air-to-close를 통해 사용할 수 있으며 단동 및 복동식 액추에이터를 모두 지원합니다. 단동식 액추에이터를 사용할 경우 출력 포트 중 하나를 스푼 밸브에 연결하는 것이 필요합니다.

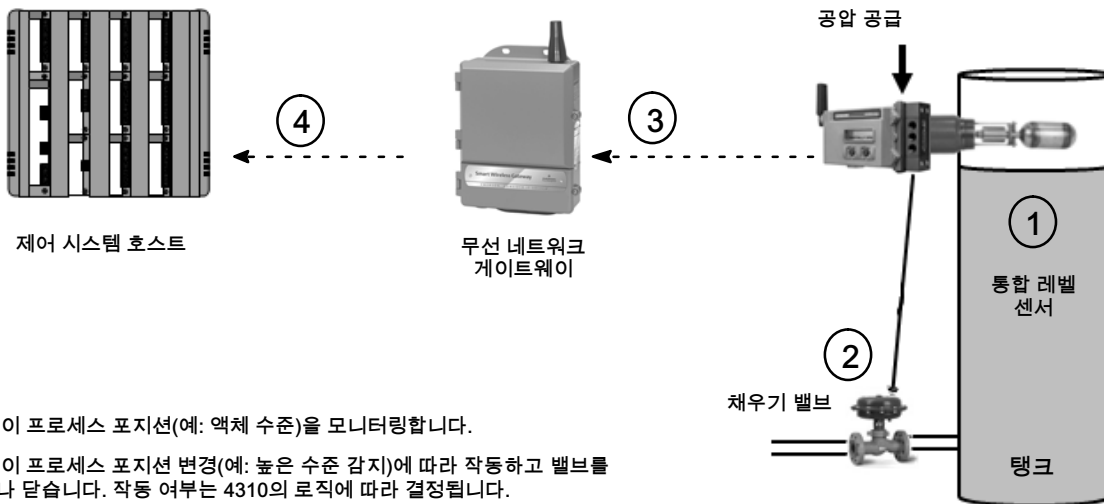
켜짐/꺼짐 제어 장치는 스냅 작동 컨트롤러로 구성할 수도 있습니다. 이 구성에서는 제어 대상 장비에 대한 피드백 신호가 없습니다. 모니터링 대상 프로세스의 상태에 따라 제어 대상 밸브에 명령을 트리거합니다. 제어 시스템에 프로세스와 밸브 명령의 변경을 경보로 알리지만 제어 동작은 필드 기기에서 계속 수행합니다. 4310은 밸브 개폐 시기를 결정하기 위해 포지션 신호, 스위치 임계치 및 스냅 제어 모드 설정을 사용합니다. 예를 들어 그림 3에서와 같이 저장 탱크가 높은 수준에 도달하면 4310이 흡입 밸브를 닫습니다. 직동식 스냅의 경우 입력부에서 높음 또는 열림 트립이 발생하면 제어 대상 밸브를 열고 입력부에서 낮음/닫힘 트립이 발생하면 제어 대상 밸브를 닫습니다. 역동식 스냅의 경우 높음/열림 트립이 발생하면 제어 대상 밸브를 닫고, 낮음/닫힘 트립이 발생하면 밸브를 엽니다.

그림 2. 제어 동작 - 무선 자동 밸브



- ① 밸브 변경 명령은 제어 시스템 호스트에서 개시되어 게이트웨이로 전송됩니다.
- ② 게이트웨이는 밸브 변경 명령을 4310으로 전달합니다.
- ③ 4310은 밸브 명령에 따라 작동하여 밸브를 변경합니다.
- ④ 4310이 밸브 위치를 모니터링하고 게이트웨이에 업데이트를 전송합니다.
- ⑤ 게이트웨이가 현재 밸브 위치 데이터를 제어 시스템 호스트에 제공합니다. 밸브 위치 피드백은 요청한 동작 명령이 수행되었는지 확인하기 위해 사용됩니다.

그림 3. 제어 동작 - 스냅 작동 제어



- ① 4310이 프로세스 위치(예: 액체 수준)를 모니터링합니다.
- ② 4310이 프로세스 위치 변경(예: 높은 수준 감지)에 따라 작동하고 밸브를 열거나 닫습니다. 작동 여부는 4310의 로직에 따라 결정됩니다.
- ③ 4310이 위치 및 출력 상태 업데이트를 게이트웨이에 전송합니다.
- ④ 게이트웨이가 현재 프로세스 위치 데이터와 밸브 출력 명령을 제어 시스템 호스트에 제공합니다.

용어

로컬 인터페이스 - 모든 4310에는 액정표시장치(LCD)와 두 개의 누름 버튼이 있습니다. 로컬 인터페이스는 모니터 설치 및 검교정 기능을 제공합니다.

자석 어셈블리 - 벨브 스템에 직접 장착되는 피드백 구성품입니다. 4310에 의해 감지된 자기장을 제공합니다. 이 구성품은 장착 키트 어셈블리의 전형적인 부분입니다.

규격

4310에 대한 규격은 표 1에 나와 있습니다.

FCC 준수

이 기기를 테스트한 결과 FCC 규정 15부에 따라 Class A 디지털 장치용 제한을 준수하는 것으로 나타났습니다. 이 제한은 상업 환경에서 기기를 작동할 때 유해한 간섭에 대한 적절한 보호를 제공하기 위해 고안되었습니다. 이 기기는 무선 주파수 에너지를 생성, 사용하고 방출할 수 있으며 사용 설명서에 따라 설치 및 사용하지 않을 경우 무선 통신에 유해한 간섭을 유발할 수 있습니다. 이 기기를 주거 지역에서 작동할 경우 유해한 간섭을 유발하여 사용자가 자신의 비용을 들여 간섭 현상을 바로잡아야 할 경우도 있습니다.

이 제품은 FCC 승인 장치입니다. 준수에 책임이 있는 당사자로부터 명시적인 승인 없이 4310을 변경하거나 개정할 경우 장치를 운용할 수 있는 권한이 무효화될 수 있습니다.

⚠ 경고

이 제품은 특정 온도 범위 및 기타 어플리케이션 규격에서 사용할 수 있습니다. 이 규격을 준수하지 않으면 제품 기능 불량, 자산 손실 또는 상해를 유발할 수 있습니다.

교육 서비스

4310 및 기타 다양한 제품에 대해 이용 가능한 교육과정 정보에 대해서는 다음의 연락처로 문의하십시오.

Emerson Process Management
Educational Services, Registration
전화번호: +1-641-754-3771 또는 +1-800-338-8158
이메일: education@emerson.com
<http://www.emersonprocess.com/education>



표 1. 규격

<p>가능한 장착</p> <ul style="list-style-type: none"> ■ 쿼터-턴 회전-샤프트 ■ 슬라이딩-스텝 또는 ■ 선형 어플리케이션 <p>IEC 60534-6-1, IEC 60534-6-2, VDI/VDE 3845 및 NAMUR 장착 규격에 해당하는 다른 액추에이터에 장착할 수 있음</p> <p>입력 측정(밸브 또는 프로세스)</p> <p>스텝 운동거리(선형 움직임) 최소: 2.5mm(0.10인치) 최대: 210mm(8.25인치)</p> <p>샤프트 회전(회전 움직임) 최소: 45° 최대: 90°</p> <p>샤프트 회전(회전 움직임, 호 배열) 최소: 13° 최대: 30°</p> <p>측정 출력</p> <p>접점출력: 커짐/꺼짐 스위치(2)</p> <p>커짐/꺼짐 제어</p> <p>출력 신호</p> <p>액추에이터가 요구하는 공압 신호, 공급 압력의 최대 95%</p> <p>최소 스펠: 3.1bar(45psig) 최대 스펠: 7bar(101psig) 동작: 단동식 또는 복동식</p> <p>공급 압력</p> <p>최소: 3.1bar(45psig) 최대: 7bar(101psig)</p> <p>공급 매질</p> <p>공기 또는 천연가스</p> <p>공급 매질은 깨끗하고 건조하며 비부식성이어야 합니다. 장치에서 급기의 이슬점은 -20°C(-4°F) 미만이어야 합니다.</p> <p>천연 가스를 공급 매질로 사용하는 것에 대한 추가 정보는 15페이지에 있는 안전한 사용에 관한 ATEX 및 IECEx 특별 조건을 참조하십시오.</p> <p>ISA 표준 7.0.01에 따른</p> <p>공기 시스템은 최대 40마이크로미터 입자 크기를 수용할 수 있습니다. 5마이크로미터 입자 크기까지의 추가적인 여과를 권장합니다. 운할제 함유량은 무게(w/w) 또는 볼륨(v/v) 기준 1ppm을 초과해서는 안 됩니다. 급기 내 응축은 최소화해야 합니다.</p>	<p>ISO 8573-1에 따른</p> <p>최대 입자 밀도 크기: Class 7 오일 함유량: Class 3 압력 이슬점: Class 3 또는 최저 예상 주변 온도보다 낮은 최소 10°C</p> <p>공기 소비(1)</p> <p>4310</p> <p>5.5bar(80psig) 공급 압력에서: 0.036m³/hr(1.27scfh)</p> <p>파일럿 밸브 누출</p> <p>20°C에서 최대값: 8ml/분(0.0003scfm/분) -20°C에서 최대값: 800ml/분(0.028scfm/분)</p> <p>공기 용량/유속</p> <p>공급 압력: 1.2Cv</p> <p>연결(옵션)</p> <p>공급, 출력 압력 및 통풍: 1/4 NPT</p> <p>무선 설정점 명령</p> <p>IEC 62591(WirelessHART) 2.4GHz DSSS</p> <p>로컬 사용자 인터페이스</p> <p>액정표시장치(LCD) 탐색, 설치, 검교정을 위한 두 개의 누름 버튼</p> <p>통신 프로토콜</p> <p>HART 7, IEC 62591(WirelessHART)</p> <p>유지 관리 포트 통신 신호</p> <p>Bell 202 전압 신호: 전압 수준에 중첩되는 1200bps 이진 연속 위상 주파수 편이 변조(1220Hz 표식, 2400Hz 공간)</p> <p>초기 동적 변수 할당(기본 설정)</p> <table border="1"> <thead> <tr> <th rowspan="2">동적 변수 할당</th> <th colspan="3">장치 구조</th> </tr> <tr> <th>제어</th> <th>스냅 제어</th> <th>모니터</th> </tr> </thead> <tbody> <tr> <td>1차 변수(PV)</td> <td>스위치 상태</td> <td>스위치 상태</td> <td>스위치 상태</td> </tr> <tr> <td>2차 변수(SV)</td> <td>설정점</td> <td>설정점</td> <td>스위치 상태</td> </tr> <tr> <td>3차 변수(TV)</td> <td>사이클 카운터</td> <td>사이클 카운터</td> <td>사이클 카운터</td> </tr> <tr> <td>4차 변수(QV)</td> <td>공급 전압</td> <td>공급 전압</td> <td>공급 전압</td> </tr> </tbody> </table> <p>전체 장치 변수 목록은 표 4 참조</p> <p>무선 통신 신호</p> <p>2.4GHz, DSSS, IEC 62591(WirelessHART) 2.46GHz에서 최대 10dBm(10mW) EIRP</p>	동적 변수 할당	장치 구조			제어	스냅 제어	모니터	1차 변수(PV)	스위치 상태	스위치 상태	스위치 상태	2차 변수(SV)	설정점	설정점	스위치 상태	3차 변수(TV)	사이클 카운터	사이클 카운터	사이클 카운터	4차 변수(QV)	공급 전압	공급 전압	공급 전압
동적 변수 할당	장치 구조																							
	제어	스냅 제어	모니터																					
1차 변수(PV)	스위치 상태	스위치 상태	스위치 상태																					
2차 변수(SV)	설정점	설정점	스위치 상태																					
3차 변수(TV)	사이클 카운터	사이클 카운터	사이클 카운터																					
4차 변수(QV)	공급 전압	공급 전압	공급 전압																					

- 계속 -

표 1. 규격(계속)

<p>무선 분류</p> <p>Class A 디지털 장치, FCC 규정의 15부 준수 FCC ID: LW2RM2510 IC: 2731A-RM2510 포함</p> <p>전자기 적합성</p> <p>EN 61326-1:2013에 부합 내성 - EN 61326-1 표준의 표 2에 따른 산업 지역. 성능은 아래 표 2에 나와 있습니다. 방출 - Class A 및 B. 성능은 아래 표 3에 나와 있습니다. ISM 기기 등급: Group 1, Class A 및 B</p> <p>진동 시험</p> <p>ANSI/ISA 75.13.01 1996(2007)에 명시된 진동 레벨: 15 - 150Hz에서 2g, 150 - 2,000Hz에서 1g까지 5Hz에서 4mm 피크 투 피크</p> <p>유럽 지침 정보</p> <p>이 제품은 다음의 지침을 준수합니다.</p> <p><i>ATEX 지침(94/9/EC)</i> <i>전자기 적합성(EMC)(2004/108/EC)</i> <i>유무선 통신기기 지침(R&TTE)(1999/5/EC)</i></p> <p>적합성 선언에 대해서는 안전 지침(D103022X012) 참조</p> <p>작동 온도 제한(2)(3)</p> <p>모니터링 <i>배터리 전력: -40 ~ 85°C(-40 ~ 185°F)</i> <i>외부 전력: -40 ~ 80°C(-40 ~ 176°F)</i> LCD는 -20°C(-4°F) 아래에서 판독하지 못할 수 있음</p> <p>공압 출력(켜짐/꺼짐 제어)이 있을 경우: -20 ~ 50°C(-4 ~ 122°F)</p> <p>온도 민감성</p> <p>1°C당 0.06% 변화</p>	<p>보관 온도 제한(2)(3)</p> <p>-40 ~ 70°C(-40 ~ 158°F)</p> <p>습도 한계</p> <p>10~95% 비응축 상대 습도</p> <p>전기 분류</p> <p>CSA(C/US) - 본질안전 ATEX -본질안전 IECEX -본질안전</p> <p>추가 정보는 15페이지에서 시작하는 위험 지역 분류 및 위험 지역에서의 안전한 사용과 설치에 관한 특별 지침 참조</p> <p>기타 분류/인증</p> <p>CUTR - Customs Union Technical Regulations(관세 동맹 기술 규정)(러시아, 카자흐스탄, 벨라루스, 아르메니아) INMETRO - National Institute of Metrology, Quality and Technology(브라질) NEPSI - National Supervision and Inspection Centre for Explosion Protection and Safety of Instrumentation(중국) PESO CCOE - Petroleum and Explosives Safety Organization - Chief Controller of Explosives(석유자원 및 폭발물 안전기구 - 폭발물 관리 사무국)(인도) TIIS - 산업안전기술협회(일본)</p> <p>분류/인증 관련 구체적 정보는 Emerson Process Management 영업소에 문의하십시오.</p> <p>전기 하우징</p> <p>Type 4X, IP66 및 IP67</p> <p>IEC 61010 준수</p> <p>오염도 4 충족</p> <p>조정</p> <p>로컬 인터페이스를 통한 zero 및 최대 스펠</p> <p>고도 등급</p> <p>최대 2,000m(6,562피트)</p> <p>무게</p> <p>모니터링 - 0.57kg(1.25lbs) 켜짐/꺼짐 제어 - 1.6kg(3.4lbs)</p>
---	--

- 계속 -

표 1. 규격(계속)

<p>전력 모듈(3) 표준 - 리튬, 비충전식</p> <p>전력 모듈 제한(4) 표준 - 이를 통해 통신하는 3개의 추가 장치로 16초 이상의 업데이트 속도에서 5년 연장 수명 - 이를 통해 통신하는 3개의 추가 장치로 8초 이상의 업데이트 속도에서 10년 수명 - 10년(무선 꺼짐)</p> <p>외부 전력(옵션) 12 ~ 28V 직류 100mA 최대 작동 전류 극성 비감응 와이어 크기 - 14 ~ 20게이지</p>	<p>업데이트 속도 포지션 피드백, 온도, 전력 모듈 전압의 경우 - 1초 ~ 1시간(1초, 2초, 4초, 8초, 16초, 32초, 1 ~ 60분에서 선택 가능) 참고: 포지션 피드백에 대한 샘플 속도는 대개 업데이트 속도와 동일합니다. 예외로 보고(Report by Exception) 보고 방식을 사용할 경우 추가 정보는 39페이지의 고급 무선 보고(Advanced Wireless Reporting)를 참조하십시오.</p> <p>구조 재질 하우징: A03600 저등 알루미늄 합금 엘라스토머: 니트릴, 불소실리콘</p>
---	--

1. Normal m3/hour - 절대 0°C 및 1.01325bar에서 시간당 노르말 입방피터. Scfh - 60°F 및 14.7psia에서 시간당 표준 입방피터.
 2. 이 설명서의 압력/온도 제한 및 밸브에 대한 해당 기준 또는 코드 제한을 초과해서는 안 됩니다.
 3. 리튬 내용물의 가연성으로 인해 전력 모듈에는 특별 설치, 작동, 보관 및/또는 운송 요건이 있습니다. 설치, 작동, 보관 또는 운송하기 전에 전력 모듈에 포함된 모든 경고 사항을 숙지하십시오. 추가 정보가 필요할 경우에는 [Emerson Process Management 영업소](#)에 문의하십시오.
 4. -10°C(14°F)와 -20°C(-4°F) 사이의 온도에서 작동할 때는 전력 모듈 수명이 영향을 받으므로 확장 전력 모듈을 사용하는 것이 좋습니다. -10°C(14°F) ~ -20°C(-4°F) 범위에서 지속적으로 사용할 경우 확장 전력 모듈의 예상 수명은 3년입니다.

표 2. EMC 요약 결과 - 내성

포트	현상	기본 표준	테스트 레벨	성능 기준(1)
엔클로저	정전기 방전(ESD)	IEC 61000-4-2	6kV 접촉 8kV 공중	B
	방사되는 전자기장	IEC 61000-4-3	10V/m에서 80 ~ 1,000MHz(80%에서 1kHz AM) 10V/m에서 1,400 ~ 2,000MHz(80%에서 1kHz AM) 3V/m에서 2,000 ~ 2,700MHz(80%에서 1kHz AM)	A
	정격 전력 주파수 자기장	IEC 61000-4-8	50Hz 및 60Hz에서 100A/m	A
직류 전력(2)	버스트	IEC 61000-4-4	2kV(5/50ns, 5kHz)	B
	전도성 RF	IEC 61000-4-6	10Vrms(150kHz ~ 80MHz)	A

성능 기준: 효율의 +/- 2%
 1. A = 테스트 중에는 저하되지 않음. B = 테스트 중에 일시적으로 저하되나 자체적으로 복원됨.
 2. 외부 전력 옵션에만 해당.

표 3. EMC 요약 결과 - 방출

포트	주파수 범위(MHz)	기본 표준	방출 레벨	획득 등급
엔클로저	30 ~ 230	EN 55011	Group 1 Class A: 10m 거리에서 40dB(μV/m)로 측정 Group 1 Class B: 10m 거리에서 30dB(μV/m)로 측정	Class A 및 B
엔클로저	230 ~ 1,000	EN 55011	Group 1 Class A: 10m 거리에서 47dB(μV/m)로 측정 Group 1 Class B: 10m 거리에서 37dB(μV/m)로 측정	Class A 및 B
	1,000 ~ 3,000	EN 55022	Group 1 Class B 3m 거리에서 50dB(μV/m)로 측정, 최고 제한은 70dB(μV/m)를 초과하지 않음	Class A 및 B
	3,000 ~ 6,000		Group 1 Class B 3m 거리에서 54dB(μV/m)로 측정, 최고 제한은 74dB(μV/m)를 초과하지 않음	Class A 및 B

참고:
 4310은 Group 1 장치로 간주합니다.
 산업, 과학, 의료용(ISM) 무선주파수(RF) 장비는 다음과 같이 해당 Group 및 Class에 따라 평가됩니다.
 Group I - 장비 자체의 내부 기능에 필요한 결합 방사 주파수 에너지가 의도적으로 발생되거나 전도용으로 사용되는 장비.
 Group II - 물질 처리를 위한 전자기 방사선의 형태로 방사 주파수 에너지가 의도적으로 발생하거나 전도용으로 사용되는 장비, 그리고 EDM 및 아크 용접 장비.
 Class A - 산업 및 상업 환경에서 사용하기에 적합한 장비.
 Class B - 가정용으로 적합한 장비.

표 4. 장치 변수

색인	장치 변수		설명	
	DD	게이트웨이로 퍼블리싱됨(1)		
1	닫힘/낮음 리미트 스위치	CLOSED_TRIGGER	닫힘/낮음 상태 보고	(1 = 트립됨, 0 = 트립되지 않음)
2	열림/높음 리미트 스위치	OPEN_TRIGGER	밸브 닫힘/높음 상태 보고	(1 = 트립됨, 0 = 트립되지 않음)
3	온도	DEVICE_TEMPERATURE	전자장치 모듈 온도	(섭씨 온도)
4	공급 전압	BATTERY_VOLTAGE	전력 공급 출력	(볼트 직류)
5	설정점(켜짐/꺼짐 제어만 해당)	SET_POINT	설정점	(1 = 닫힘, 2 = 열림)
6	스위치 상태	SWITCH_STATE	변수 1과 2에 정보 결합	(0 = 부분 열림, 1 = 닫힘, 2 = 열림, 3 = 알 수 없음, 4 = 중간, 5 = 높음, 6 = 낮음)
7	마지막 닫기 스트로크 시간	CLOSE_STROKE_TIME	켜짐/꺼짐 컨트롤러가 이전에 밸브는 닫는 데 걸린 시간	
8	마지막 열기 스트로크 시간	OPEN_STROKE_TIME	켜짐/꺼짐 컨트롤러가 이전에 밸브를 여는 데 걸린 시간	
9	타임스탬프 0	MESSAGE_0_TIMESTAMP	버스트 메시지 0의 타임스탬프	
10	타임스탬프 1	MESSAGE_1_TIMESTAMP	버스트 메시지 1의 타임스탬프	
11	타임스탬프 2	MESSAGE_2_TIMESTAMP	버스트 메시지 2의 타임스탬프	
12	열림/높음 드웰	OPEN_DWELL_TIME	이전에 상태가 열린 상태로 있었던 시간.	
13	닫힘/낮음 드웰	CLOSED_DWELL_TIME	이전에 상태가 닫힌 상태로 있었던 시간.	
14	전이 드웰	PARTIALLY_OPEN_DWELL_TIME	이전에 상태가 부분적으로 열린 상태로 있었던 시간.	
15	사이클 카운터	CYCLE_COUNTS	장치가 카운트한 사이클	
243	남은 배터리 수명	BATTERY_LIFE	남은 배터리 수명 추산치	(일) - 외부 전력 옵션 사용 시 의미 없음
244	PV % 범위	PERCENT_RANGE	0	(%)
245	루프 전류	CURRENT	언제나 미확정(숫자가 아님)	(mA)
색인	이산 변수		설명	
	DD	게이트웨이로 퍼블리싱됨		
0	이산 스위치 상태	DISCRETE_SWITCH_STATE	스위치 변수의 현재 상태	(6 = 닫힘, 17 = 열림, 18 = 닫힘, 46 = 열림, 48 = 알 수 없음, 52 = 부분 열림, 53 = 중간, 54 = 높음, 55 = 낮음)
1	이산 설정점 (켜짐/꺼짐 제어만 해당)	DISCRETE_SET_POINT	제어 대상 변수의 목표 값	(4 = 닫기, 5 = 열기, 6 = 닫힘, 46 = 열림)

1. 1410 게이트웨이 버전 4.4.28 이후 또는 1420 게이트웨이 버전 4.4.15 이후가 필요합니다.

설치

⚠ 경고

4310을 장착하기 전에:

- 상해나 자산 손실을 막기 위해 설치 절차를 수행하기 전에는 항상 보호 의복, 장갑, 안경류를 착용하십시오.
- 기존 애플리케이션에 설치하는 경우 이 사용 설명서의 유지 관리 섹션 첫 부분의 경고도 참조하십시오.
- 프로세스 미디어에 대한 추가 보호 조치에 대해 프로세스 또는 안전 엔지니어를 통해 확인하십시오.

⚠ 경고

4310 전력 모듈에는 두 개의 기본 리튬-염화 티오닐 배터리가 포함되어 있습니다. 정상적인 사용 조건에서 배터리 재료는 내장형이며 배터리와 전력 모듈 무결성이 유지되는 한 조치할 필요는 없습니다. 기계, 전기 또는 열적 손상이 발생하지 않도록 주의해야 합니다. 전력 모듈을 재충전, 단락, 분해, 가열 또는 물에 노출하지 마십시오. 배터리에는 인화성 물질이 함유되어 있으며 위에서 열거한 작업을 수행할 경우 손상되거나 접착 또는 폭발하여 부상을 입거나 재산 손해를 입을 수 있습니다. 4310을 설치, 작동, 보관 또는 운송하기 전에 전력 모듈에 포함된 모든 경고 사항을 숙지하십시오.

전력 모듈을 100°C(212°F) 이상의 온도에 노출할 경우 화재나 폭발로 인해 부상을 입거나 재산 손해를 입을 수 있습니다. 전력 모듈은 건냉하고 환기가 되는 곳에 보관해야 합니다. 최대 수명을 유지하려면 30°C(86°F)를 초과하는 온도에 보관해서는 안 됩니다.

주의

구성품 설치 시에는 적절한 정전기 방전 보호 수단이 필요합니다. 접지대나 기타 정전기 방전 보호 수단을 사용하지 못할 경우 전자장치 손상을 유발할 수 있습니다.

⚠ 경고

정전기 방전을 방지하려면 안테나를 문지르거나 용제로 씻지 마십시오.

4310에는 배터리 공급 전력 모듈 또는 외부 전력 공급원의 두 가지 이용 가능한 전력 공급원이 있습니다.

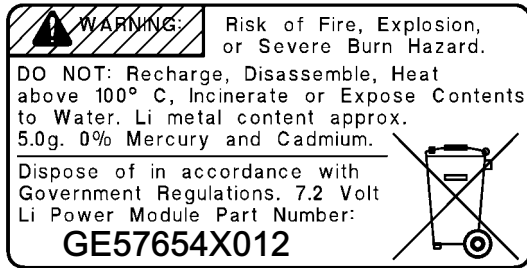
참고

배터리 공급 전력 모듈로 가동되는 4310은 외부 전력 공급원으로 가동되는 4310으로 전환할 수 없습니다. 배터리 공급 전력 모듈로 가동되는 4310 및 외부 전력 공급원으로 가동되는 4310의 하우징 및 전자장치는 동일하지 않습니다.

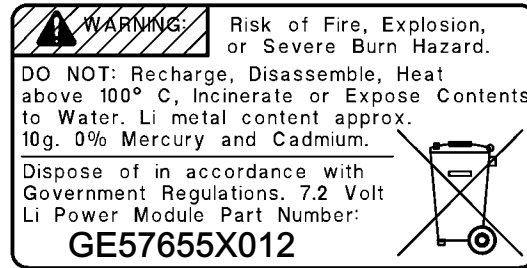
표준 및 연장 수명 전력 모듈 설치

배터리 공급 전력 옵션에는 표준 수명 및 연장 수명 전력 모듈의 두 가지가 있습니다. 사용 중인 전력 모듈을 확인하려면 그림 4에 나와 있는 전력 모듈 경고 라벨을 참조하십시오. 설치 시 그림 5를 참조하십시오.

그림 4. 전력 모듈의 경고 라벨



표준 수명 전력 모듈



연장 수명 전력 모듈

참고

기본 구성은 표준 전력 모듈을 위한 것입니다. 연장 수명 전력 모듈을 설치할 경우에는 구성을 변경해야 합니다. 전력 모듈 구성이 부정확하면 수명 계산의 잔여 일수에 영향을 줍니다. 필드 커뮤니케이터를 사용할 경우에는 *Configure*(구성), *Manual Setup*(수동 설정), *Power Module*(전력 모듈), *Reset Module Data*(모듈 데이터 재설정)로 이동합니다. AMS 장치 관리자에서는 *Configure*(구성), *Manual Setup*(수동 설정)으로 이동하고 Power(전력) 탭에서 *Reset Power Module Variables*(전력 모듈 변수 재설정)를 선택합니다.

전력 모듈 설치 방법:

1. 두 개의 기기 나사를 풀고 덮개를 엽니다.
2. 전력 모듈을 메인 보드에 있는 네 개의 바나나 플러그 커넥터 및 인서트에 정렬합니다.
3. 4개의 셀프 태핑 나사를 덮개/메인 보드 어셈블리의 해당 압 수용기에 삽입하고 0.282N·m(2.5lbf·in) 토크로 조여 전력 모듈을 제대로 고정합니다.
4. 전력 모듈을 교체하고 있는 경우에는 추가 단계를 참조하여 62페이지에 나와 있는 전력 모듈 변수 재설정 절차에서 전력 모듈 남은 수명 카운터를 재설정합니다.
5. 덮개를 닫고 기기의 커버 나사를 5.6 ~ 6.7N·m(50 ~ 60lbf·in.) 토크로 조입니다.

외부 전력 옵션이 제공되는 유닛 설치

배선 설치 시 그림 6을 참조하십시오.

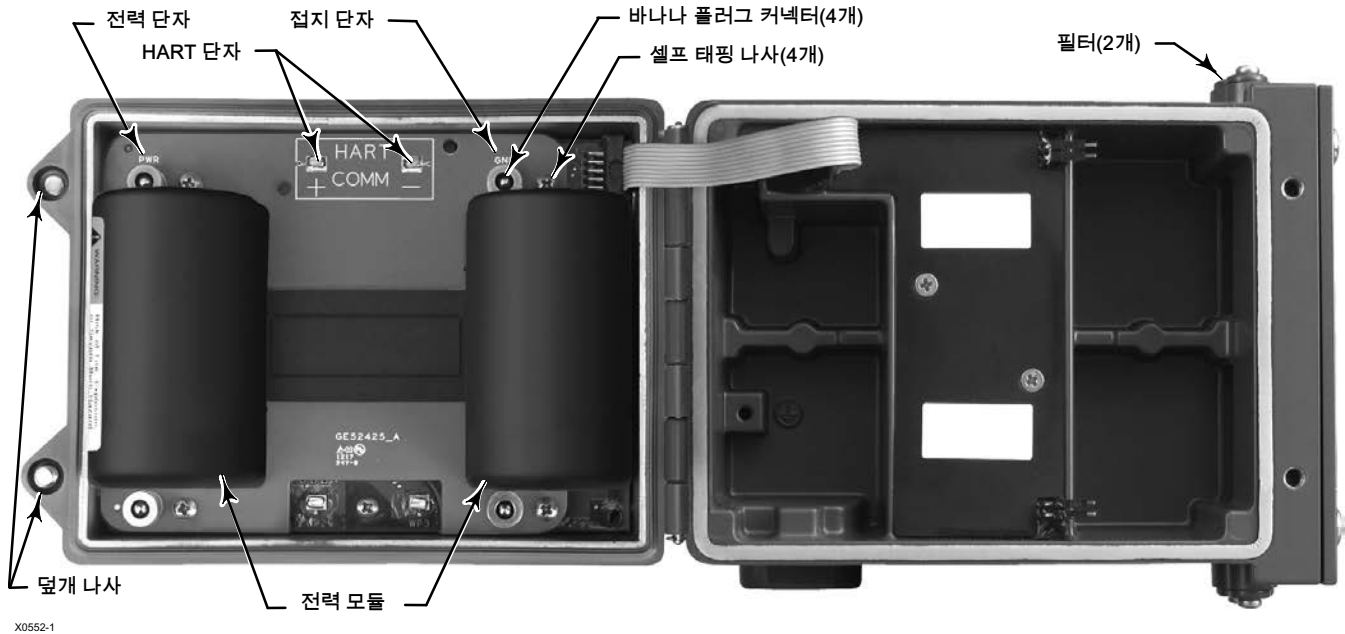
1. 두 개의 기기 나사를 풀고 덮개를 엽니다.

⚠ 경고

사용 환경(위험 지역, 진입 보호, 온도 등) 용도의 정격 케이블 글랜드를 선택하십시오. 정격 케이블 글랜드를 사용하지 못할 경우 화재나 폭발로 인한 상해나 자산 손실로 이어질 수 있습니다.

케이블 글랜드나 도관 피팅을 설치할 때에는 하우스링 공동에 남은 전선의 양을 최소화하여 단계 7에서 덮개를 닫을 때 압박 또는 손상되지 않도록 하십시오.

그림 5. 배터리 공급 전력 모듈의 TopWorx 4310



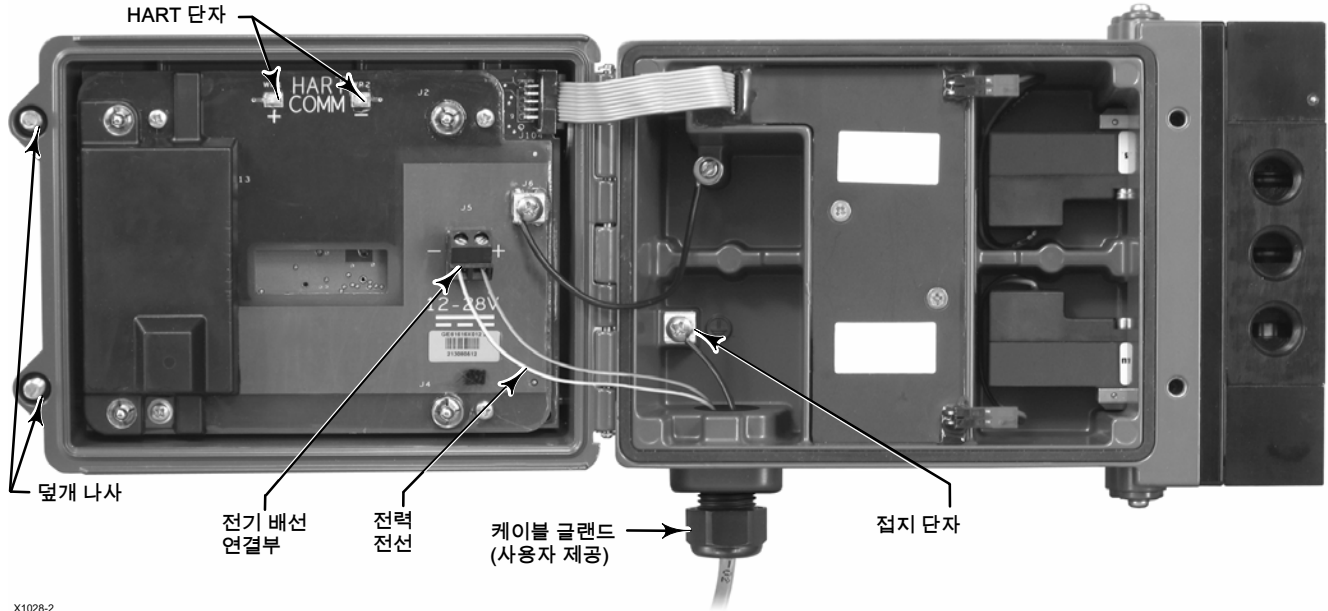
2. 사용자가 공급하는 케이블 글랜드나 도관 피팅을 하우징에 삽입합니다.
3. 케이블 글랜드/도관 피팅을 통해 전선을 삽입합니다.

⚠ 경고

외부 전력 단자에 연결된 배선은 최대 정격이 +100°C (212°F)여야 합니다.
정격 배선을 사용하지 못할 경우 화재나 폭발로 인한 상해나 자산 손실로 이어질 수 있습니다.

4. 그림 6과 같이 전선을 연결부에 연결합니다. 단자 및 전자장치 연결부는 극성에 감응하지 않습니다. 예를 들어 양극 또는 음극 전선을 단자 나사의 어느 쪽에든 연결할 수 있습니다.
5. 그림 6에 표시된 바와 같이 접지 단자는 안전 접지 연결용으로 제공됩니다. 국가/지역별 규정 및 표준에 따라 이 단자를 연결합니다.
6. 배선 단자 나사를 조입니다.
7. 덮개를 닫고 기기의 커버 나사를 5.6 ~ 6.7N·m(50 ~ 60lbf·in.) 토크로 조입니다.

그림 6. 외부 전력 옵션이 제공되는 유닛 설치



X1028-2

네트워크 설치

4310에는 무선 네트워크의 일부가 되기 전에 무선 네트워크 매개변수를 구성해야 합니다. 네트워크 내의 모든 *WirelessHART* 장치에는 동일한 네트워크 매개변수, 네트워크 ID, 조인키가 있어야 합니다.

4310은 1229의 사전 구성된 네트워크 ID와 모두 0으로 설정된 조인키와 함께 배송됩니다. 설치하기 전에 기타 장치가 네트워크에 부합하도록 설정되어야 합니다. 이러한 구성은 475 또는 375 필드 커뮤니케이터, AMS 무선 구성기 또는 AMS 장치 관리자 10.5 이상을 사용하여 변경할 수 있습니다.

참고

고급 보안 모드에서 스마트 무선 게이트웨이를 구성할 때 각 장치에는 개별 조인키가 있어야 합니다.

필드 커뮤니케이터 사용

1. 필드 커뮤니케이터에 4310 장치 개정 4(DD 개정 1 이후)에 대한 장치 설명(DD)이 로드되어 있는지 확인합니다.

참고

필드 커뮤니케이터에 대한 4310 DD를 다음 주소에서 다운로드할 수 있습니다.
<http://www2.emersonprocess.com/en-US/brands/fieldcommunicator/475FC/Pages/SysSoftDDs.aspx>

이 사이트에 새 DD를 포스팅할 때 지연될 수 있다는 점에 유의하십시오.

위 링크는 영어 웹사이트 용입니다. 특정 국가나 지역 웹사이트에 접속하려면
<http://www2.emersonprocess.com/Pages/worldwide.aspx> 를 방문하십시오.

2. 웹 인터페이스를 통해 게이트웨이에서 네트워크 ID와 조인키를 획득합니다. *Setup*(설치)으로 이동하고 *Network*(네트워크)를 선택합니다. 네트워크 ID가 표시됩니다. Yes(예)를 선택하여 조인키를 봅니다.
3. 4310의 덮개를 열어 필드 커뮤니케이터의 도선을 4310 HART 단자에 연결합니다(그림 5 또는 6 참조).
4. *Online*(온라인), *Overview*(개요), *Join Device to Network*(장치를 네트워크에 결합)를 선택하여 네트워크 매개변수 설정을 입력합니다(개요 메뉴 트리에 대해서는 그림 24 참조).
5. 4310에서 도선을 제거하고 덮개를 닫습니다. 기기의 커버 나사를 5.6 ~ 6.7N·m(50 ~ 60lbf·in.) 토크로 조입니다.
6. 모니터한 기기에 4310을 설치하고(설치하거나) 게이트웨이를 확인합니다.

참고

1410 게이트웨이 버전 4.4.28 이후 또는 1420 게이트웨이 버전 4.4.15 이후가 필요합니다.

AMS 무선 구성기 또는 AMS 장치 관리자 사용(HART 모뎀 사용)

1. AMS에 4310 장치 개정 4(DD 개정 1 이후)에 대한 장치 설명(DD)이 로드되어 있는지 확인합니다.

참고

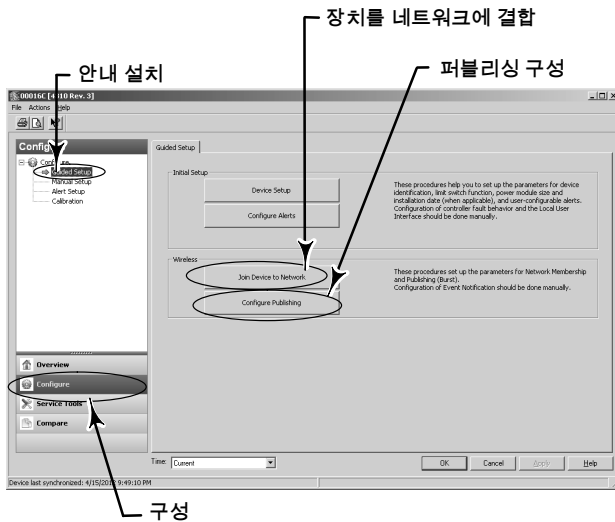
AMS에 대한 4310 DD를 다음 주소에서 다운로드할 수 있습니다.
<http://www2.emersonprocess.com/en-US/documentation/deviceinstallkits/Pages/deviceinstallkitsearch.aspx>

이 사이트에 새 DD를 포스팅할 때 지연될 수 있다는 점에 유의하십시오.

위 링크는 영어 웹사이트 용입니다. 특정 국가나 지역 웹사이트에 접속하려면
<http://www2.emersonprocess.com/Pages/worldwide.aspx> 를 방문하십시오.

2. 웹 인터페이스를 통해 게이트웨이에서 네트워크 ID와 조인키를 획득합니다.
3. 4310의 덮개를 열어 HART 모뎀의 도선을 HART 단말기에 연결합니다(그림 5 또는 6 참조).
4. AMS에서 HART 모뎀에 연결되어 있는 장치를 선택합니다.
5. *Configure*(구성), *Guided Setup*(안내 설치), *Wireless*(무선)로 이동하여 네트워크 자격을 구성합니다(그림 7 참조). *Join Device to Network*(장치를 네트워크에 결합)를 선택하여 네트워크 매개변수 설정을 입력합니다.

그림 7. 무선 설정



구성할 수 있는 버스트 메시지가 세 개 있습니다. 각각에는 자체적인 내용, 5개의 트리거 모드 중 하나, 다양한 업데이트 속도가 있을 수 있습니다. 버스트 메시지는 기본 값으로 설정하거나 퍼블리싱 구성에서 애플리케이션에 맞춤형으로 설정할 수 있습니다. 버스트 구성에 대한 추가 정보는 37페이지의 방송 정보를 참조하십시오.

- 4310에서 도선을 제거하고 덮개를 닫습니다. 기기의 커버 나사를 5.6 ~ 6.7N·m(50 ~ 60lbf·in.) 토크로 조입니다.
- 모니터한 기기에 4310을 설치하고(설치하거나) 게이트웨이를 확인합니다.

참고

1410 게이트웨이 버전 4.4.28 이후 또는 1420 게이트웨이 버전 4.4.15 이후가 필요합니다.

위험 지역 분류 및 위험 지역에서의 안전한 사용과 설치를 위한 특별 지침

특정 명판은 하나 이상의 승인을 담고 있을 수 있으며, 각 승인에는 명확한 설치/배선 요건 및/또는 안전 사용 조건이 있을 수 있습니다. 이 특별 안전 사용 지침은 표준 설치 절차 이외의 것이며, 표준 설치 절차보다 우선합니다. 특별 지침은 승인을 통해 열거되어 있습니다.

참고

이 정보는 제품에 부착된 명판 표식을 보완합니다.

언제나 명판 자체를 참조하여 적절한 인증을 확인하십시오. 여기에 열거되지 않은 승인/인증 정보에 대해서는 [Emerson Process Management 영업소](#)에 문의하십시오.

⚠ 경고

이 안전 사용 조건을 준수하지 못할 경우 화재나 폭발로 인한 상해나 자산 손실을 일으키고 영역 재분류로 이어질 수 있습니다.

CSA(C/US)

본질 안전

모니터 버전

공압 출력이 없는 배터리 공급 전력 모듈

Ex ia 본질 안전

Class I, Division 1 GP ABCD T3/T4/T5

Ex ia IIC T3/T4/T5

Class I Zone 0 AEx ia IIC T3/T4/T5 Ga

제어 도면 GE59530에 따라 설치: 아래 그림 참조 -

그림 8 및 9

엔클로저: Type 4X, IP66 및 IP67

T3(Tamb ≤ 85°C), T4(Tamb ≤ 75°C), T5(Tamb ≤ 40°C)

온도 범위: -40°C ~ 85°C

공압 출력이 없는 외부 전력

Ex ia 본질 안전

Class I, Division 1 GP ABCD T5(Tamb ≤ 80°C)

Ex ia IIC T5(Tamb ≤ 80°C)

Class I Zone 0 AEx ia IIC T5(Tamb ≤ 80°C) Ga

제어 도면 GE59530에 따라 설치: 아래 그림 참조 -

그림 8 및 10

엔클로저: Type 4X, IP66 및 IP67

온도 범위: -40°C ~ 80°C

제어 버전

공압 출력이 있는 배터리 공급 전력 모듈

Ex ia 본질 안전

Class I, Division 1 GP ABCD T4/T5/T6

Ex ia IIC T4/T5/T6

Class I Zone 0 AEx ia IIC T4/T5/T6 Ga

제어 도면 GE59530에 따라 설치: 아래 그림 참조 -

그림 8 및 9

엔클로저: Type 4X, IP66 및 IP67

T4(Tamb ≤ 50°C), T5(Tamb ≤ 46°C), T6(Tamb ≤ 31°C)

온도 범위: -20°C ~ 50°C

공압 출력이 있는 외부 전력

Ex ia 본질 안전

Class I, Division 1 GP ABCD T5

Ex ia IIC T5

Class I Zone 0 AEx ia IIC T5 Ga

제어 도면 GE59530에 따라 설치: 아래 그림 참조 -

그림 8 및 10

엔클로저: Type 4X, IP66 및 IP67

T5(Tamb ≤ 50°C)

온도 범위: -20°C ~ 50°C

ATEX II 1 G IECEx

본질 안전

모니터 버전

공압 출력이 없는 배터리 공급 전력 모듈
Ex ia IIC T3/T4/T5 Ga
제어 도면 GE59530에 따라 설치: 참조 그림 8 및 9
엔클로저: Type 4X, IP66 및 IP67
T3(Tamb ≤ 85°C), T4(Tamb ≤ 75°C), T5(Tamb ≤ 40°C)
온도 범위: -40°C ~ 85°C

공압 출력이 없는 외부 전력
Ex ia IIC T5 Ga
제어 도면 GE59530에 따라 설치: 참조 그림 8 및 10
엔클로저: Type 4X, IP66 및 IP67
T5(Tamb ≤ 80°C)
온도 범위: -40°C ~ 80°C

제어 버전

공압 출력이 있는 배터리 공급 전력 모듈
Ex ia IIC T4/T5/T6 Ga
제어 도면 GE59530에 따라 설치: 참조 그림 8 및 9
엔클로저: Type 4X, IP66 및 IP67
T4(Tamb ≤ 50°C), T5(Tamb ≤ 46°C), T6(Tamb ≤ 31°C)
온도 범위: -20°C ~ 50°C

공압 출력이 있는 외부 전력
Ex ia IIC T5 Ga
제어 도면 GE59530에 따라 설치: 참조 그림 8 및 10
엔클로저: Type 4X, IP66 및 IP67
T5(Tamb ≤ 50°C)
온도 범위: -20°C ~ 50°C

ATEX 특별 사용 조건

기구는 기계적 충격이나 마찰에 노출되면 안 됩니다.

압력 시스템에 가스-공기 혼합물이 없을 경우 피에조 밸브는 천연 가스를 제어 유체로 함께 사용할 수 있습니다.

HART 통신 단자(WP1-WP2)는 반드시 인증된 본질 안전 장비에만 연결해야 하며 이 결합은 본질 안전 규정을 준수해야 합니다.

배터리 공급 전력 모듈:

기구에는 모듈 유형 GE57654X012 또는 GE57655X012를 통해서만 전력을 공급할 수 있습니다.

외부 전력:

기구는 외부 전력 모듈 GE61615X012를 통해서 외부에서 전력을 공급할 수 있습니다.

IECEx 특별 사용 조건

기구는 기계적 충격이나 마찰에 노출되면 안 됩니다.

압력 시스템에 가스-공기 혼합물이 없을 경우 피에조 밸브는 천연 가스를 제어 유체로 함께 사용할 수 있습니다.

기구 연결:

- HART COMM 단자(WP1-WP2)는 본질 안전 인증 장비에만 연결할 수 있습니다.
- 외부 전력 모듈(J5)은 연관된 본질 안전 인증 장비에만 연결할 수 있습니다.

이러한 결합은 본질 안전 규정을 준수해야 합니다.

배터리 공급 전력 모듈:

기구에는 모듈 유형 GE57654X012 또는 GE57655X012를 통해서만 전력을 공급할 수 있습니다.

외부 전력:

기구는 외부 전력 모듈 GE61615X012를 통해서 외부에서 전력을 공급할 수 있습니다.

그림 8. 설치 도면 참고: 배터리 모듈 조립은 그림 9 참조, 외부 전력 옵션은 그림 10 참조

- ① 설치는 반드시 사용 중인 국가의 배선 관행을 따라야 합니다.
- ② 벽은 제조업체의 설치 지침에 따라 연결해야 합니다.
- ③ 본질적으로 안전한 기구는 관련 기구에 연결할 수 있으며 그러한 결합에서 특별히 검사하지 않습니다. 상호 연결 기준은 본질적으로 안전한 기구의 전압(Ui)과 전류(ii)가 관련 기구에서 정의하는 전압(Uo)과 전류(io) 이상이어야 한다는 것입니다. 이외에 본질적으로 안전한 기구, 그리고 상호연결 배선의 최대 비보호 정전 용량(Ci) 및 유도 용량(Li)의 합은 관련 기구에서 정의하는 허용 가능한 정전 용량(Co) 및 유도 용량(Lo) 미만이어야 합니다. 이러한 기준이 충족될 경우에는 조합을 연결할 수 있습니다.

공식 $U_i > U_o$
 $i_i > i_o$
 $C_i + C_{케이블} < C_o$
 $L_i + L_{케이블} < L_o$
 $P_i > P_o$

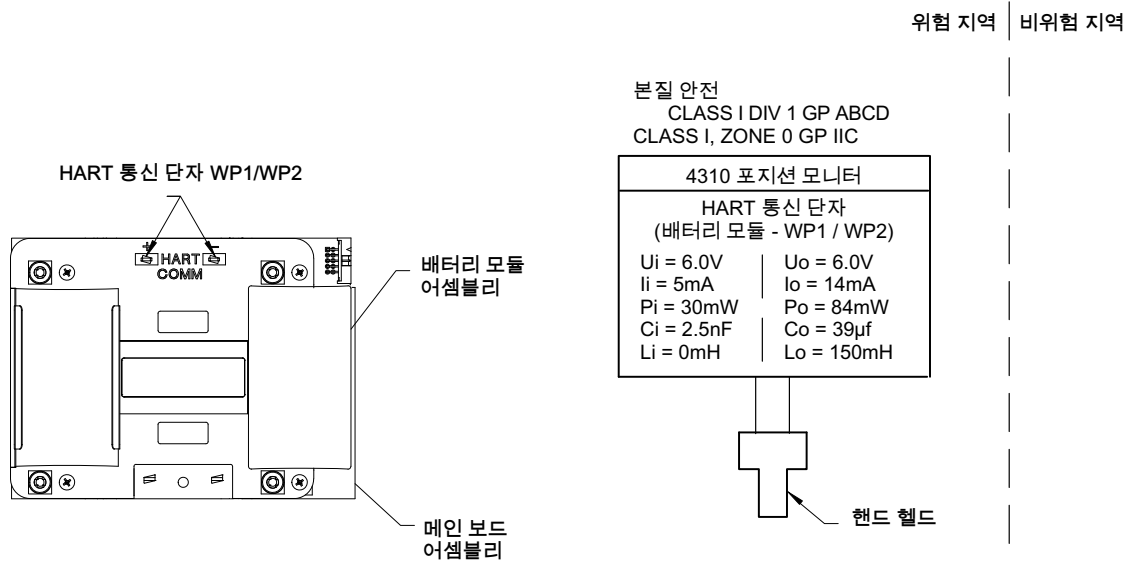
- ④ 벽 접지와 지면 접지 사이의 저항은 1ohm 미만이어야 합니다.
- ⑤ 핸드 헬드 커뮤니케이터 또는 멀티플렉서를 사용할 경우에는 엔티티 매개변수를 통해 승인되고 제조업체의 제어 도면에 따라 설치해야 합니다.

경고

기구 외장에는 알루미늄이 함유되어 있으며 충격 또는 마찰로 점화될 수 있는 잠재적 위험을 구성하는 것으로 간주됩니다. 설치 및 사용 시 충격과 마찰을 피해 발화 위험을 방지하십시오.

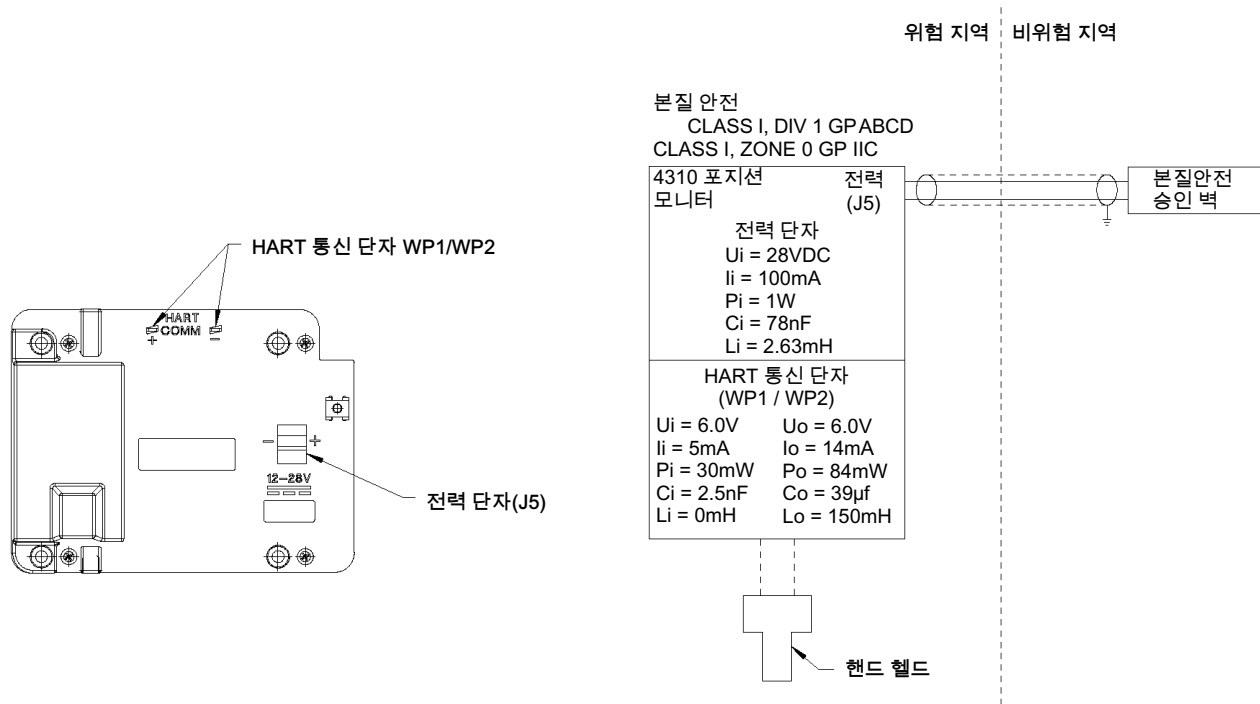
GE59530-B, 시트 1

그림 9. 배터리 모듈 어셈블리 설치 도면: 그림 8 참고 내용 참조



GE59530-B, 시트 1

그림 10. 외부 전력 옵션 어셈블리 설치 도면: 그림 8 참고 내용 참조



밸브/액추에이터 장착

다음 과정은 4310 설치 시 고려해야 하는 일반 가이드라인입니다. 4310을 특정 액추에이터 모델에 장착하는 것과 관련한 자세한 정보는 장착 키트와 함께 제공되는 지침을 참조하십시오.

참고

모든 장착 재료는 철을 함유하지 않아야 합니다. 철 함유 재료는 자성이 있어 피드백에 영향을 미칠 수 있습니다.

4310에 대한 피드백 시스템은 해당 비연계, 비접촉 위치 측정을 위한 자기장을 사용합니다. 기기 작동 중 의도하지 않은 스텝 움직임 방지하기 위해, 자석 공구(예: 자석 드라이버)를 사용해서는 안 됩니다.

주의

장기적이고 안정적인 자기장을 제공하기 위해 자석 재료를 특별히 선택했습니다. 그러나 어떤 자석이든 자석 어셈블리를 다룰 때에는 주의를 기울여야 합니다. 가까운 거리(25mm 미만)에 위치한 또 다른 강력 자석이 영구적 손상을 일으킬 수 있습니다. 기기 손상을 일으킬 수 있는 잠재적 원인에는 다음이 포함될 수 있습니다. 변압기, 직류 모터, 다량의 자석 묶음 등.

주의

자력이 강한 자석 사용에 대한 일반 가이드라인

자력이 강한 자석을 이 기기에 아주 근접하여 사용하는 것은 피해야 합니다.

자석 공구의 사용

- 자성 팁 나사 드라이버 - 자성 팁 나사 드라이버는 4310에서의 작업에 사용할 수 있습니다. 그러나 프로세스 가동 중에는 자석 어셈블리(기기 뒷면에 위치) 가까이로 가져와서는 안 됩니다.



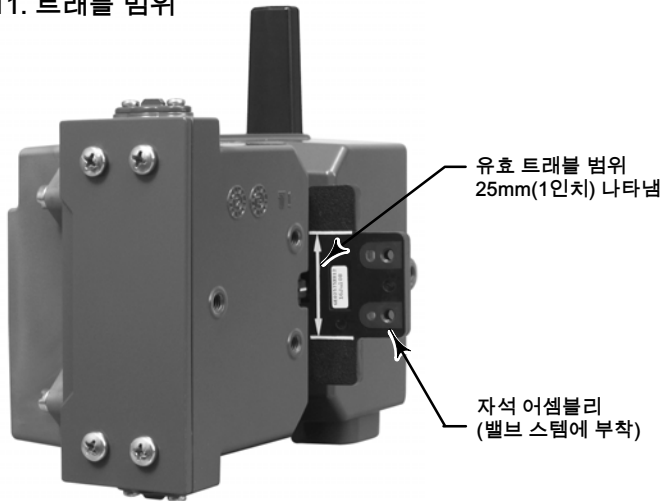
참고

일반적으로 전체 운동거리 측정에는 자석 어셈블리의 50% 미만은 사용하지 마십시오. 어셈블리의 범위가 줄어들면서 성능이 감소하게 됩니다.

리니어 자석 어셈블리에는 화살표로 표시된 유효 트래블 범위가 있습니다. 이는 전체 밸브 운동 거리에 걸쳐 홀 센서(4310 하우징의 뒷면에 있음)가 이 범위 내에 있어야 한다는 것을 의미합니다. 그림 11을 참조하십시오.

리니어 자석 어셈블리는 대칭입니다. 아무 쪽이나 위를 향해도 됩니다.

그림 11. 트래블 범위



4310을 다른 액추에이터에 장착하는 데 사용하는 다양한 장착 브래킷과 키트가 있습니다. 패스너, 브래킷, 연결 링크지에 미묘한 차이가 있지만 장착을 위한 절차는 다음과 같이 범주화할 수 있습니다.

- 최대 210mm(8.25in.) 이동 거리의 선형 또는 슬라이딩-스템 액추에이터
- 최대 90도 이동의 회전 액추에이터
- 13~30도 회전이 필요한 회전 액추에이터를 위한 장치별 어플리케이션

다른 이동 피드백 자석 어셈블리에 대해서는 그림 12를 참조하십시오.

그림 12. 자석 묶음



참고: 하얀색 화살표로 표시되는 유효 트래블 범위

슬라이딩-스텝(선형) 액추에이터(예: Fisher 667)

장착하기 전에 선형 이동이 1/2보다 크지만 피드백 키트의 최대 권장 이동보다는 크지 않도록 하십시오.

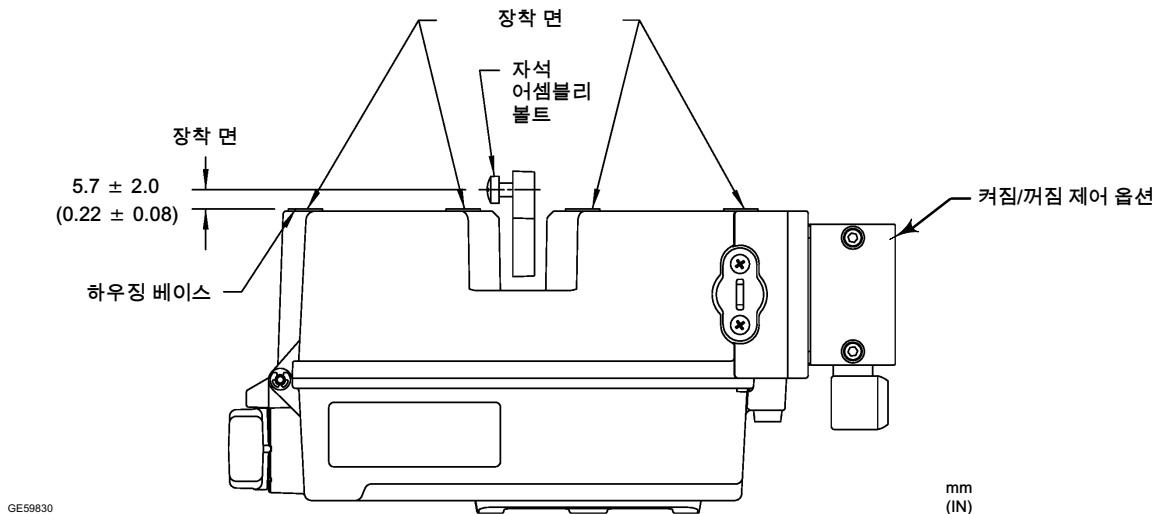
1. 장착 브래킷을 액추에이터에 장착합니다.
2. 피드백 조각과 자석 어셈블리를 밸브 스텝 연결부에 느슨하게 연결합니다. 미세 조정이 필요하므로 패스너를 조이지 마십시오.

주의

액추에이터의 물리적 운동거리보다 짧은 자석 어셈블리를 설치하지 마십시오. 4310 하우징의 피드백 슬롯에서 인덱스 마크 범위를 벗어나 이동하는 자석 어셈블리로 인해 제어력을 잃게 됩니다.

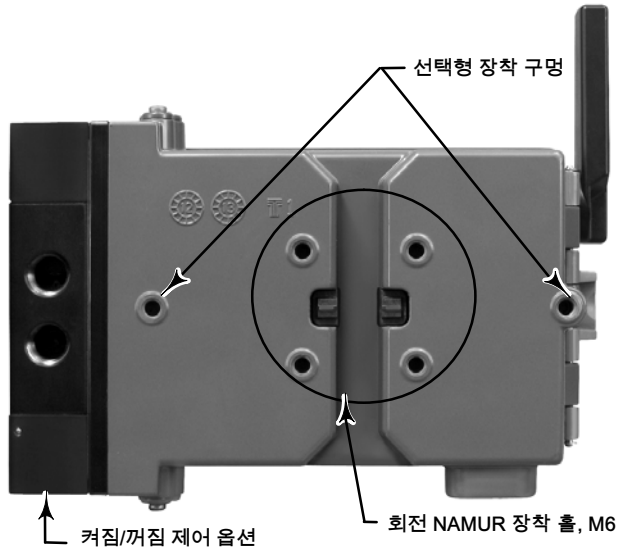
3. 자석 어셈블리를 어셈블리 볼트 홀의 중앙에서 측정된 대로 하우징의 바닥 베이스로부터 5.7mm(0.22in.) 떨어져 하우징의 베이스 쪽으로 유지 슬롯의 중앙에 배치합니다(그림 13 참조).
4. 그림 13과 같이 자석 어셈블리를 정렬합니다.
5. 패스너를 조입니다.
6. 장착 볼트를 사용하여 4310을 장착 브래킷에 장착합니다. 선형 액추에이터에는 어느 장착 홀을 사용해도 무방합니다. 그림 14를 참조하십시오.
7. 기기를 장착했으면 31페이지에서 설명한 대로 로컬 인터페이스 검교정 절차를 수행합니다. 정비에 들어가기 전에 전체 트래블 범위를 통해 자석 어셈블리 위치를 확인하십시오.

그림 13. 장착 - 슬라이딩-스텝 자석 어셈블리



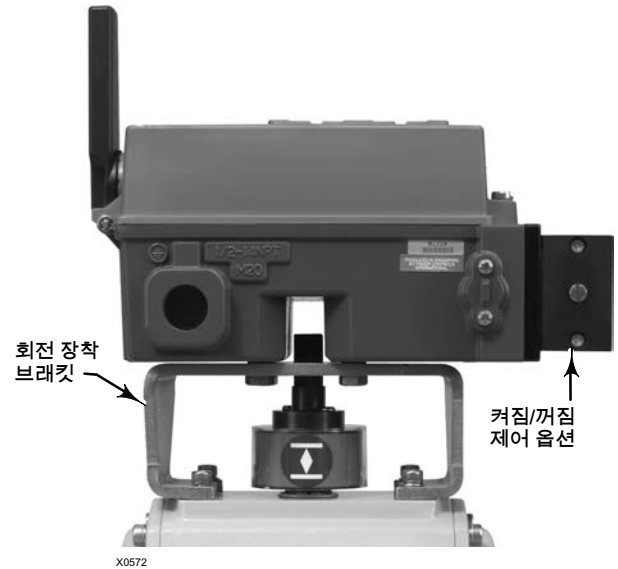
GE59830

그림 14. 선형 및 쿼터턴 액추에이터용 하우징 및 마운팅



참고: 수직형 액추에이터에는 어느 장착 홀을 사용해도 무방합니다.
X0545

그림 15. 회전샤프트 액추에이터용(일반 장착 브래킷)



X0572

쿼터턴(회전샤프트) 액추에이터에 장착하기 위한 지침

4310은 NAMUR 지침을 준수하는 액추에이터뿐만 아니라 모든 쿼터-턴(회전-샤프트)에도 장착할 수 있습니다. 장착 브래킷 및 관련 하드웨어가 필요합니다. 그림 15를 참조하십시오.

장착하기 전에 회전 동작이 회전의 45 ~ 90도가 되는지 확인하십시오.

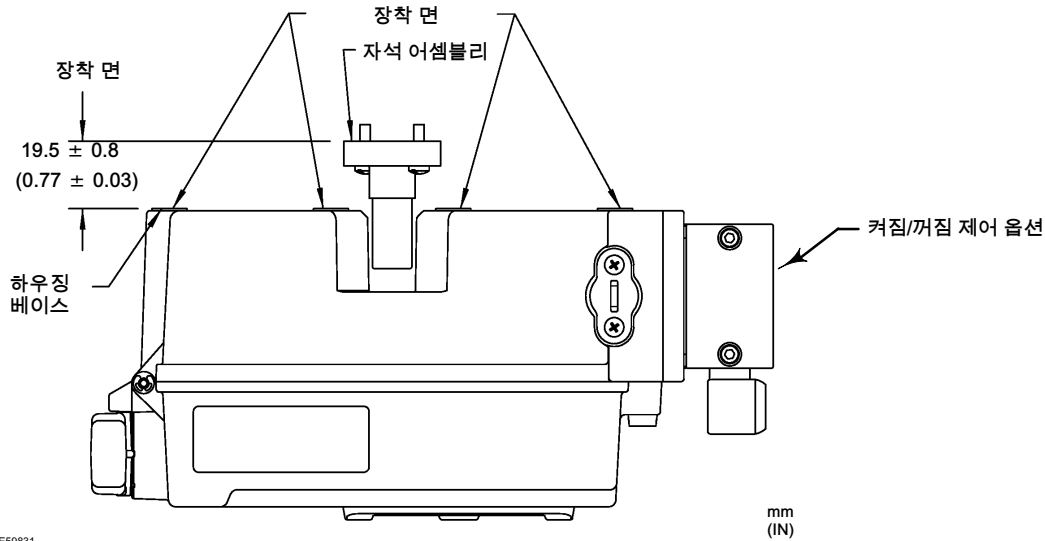
1. 액추에이터를 해당 트래블의 한쪽 끝까지 스트로크합니다.
2. 그림 16과 같이 자석 어셈블리를 액추에이터 샤프트에 부착합니다. 자석 어셈블리를 어셈블리 베이스에서 측정된 대로 하우징의 바닥 베이스에서 19.5mm(0.77in.) 떨어져 하우징의 베이스 쪽으로 배치합니다. 액추에이터가 왼쪽으로 또는 반시계 방향으로 완전히 스트로크되면 자석 어셈블리가 안테나(기기의 왼쪽 상단 모서리)를 향하도록 부착합니다. 액추에이터가 오른쪽으로 또는 시계 방향으로 완전히 스트로크되면 자석 어셈블리가 기기의 오른쪽 상단 모서리를 향하도록 부착합니다. 그림 17을 참조하십시오.

참고

액추에이터가 트래블 한계에 있을 때, 4310의 방향에 관계없이 자기 배열은 항상 45도 각도에 있어야 합니다.

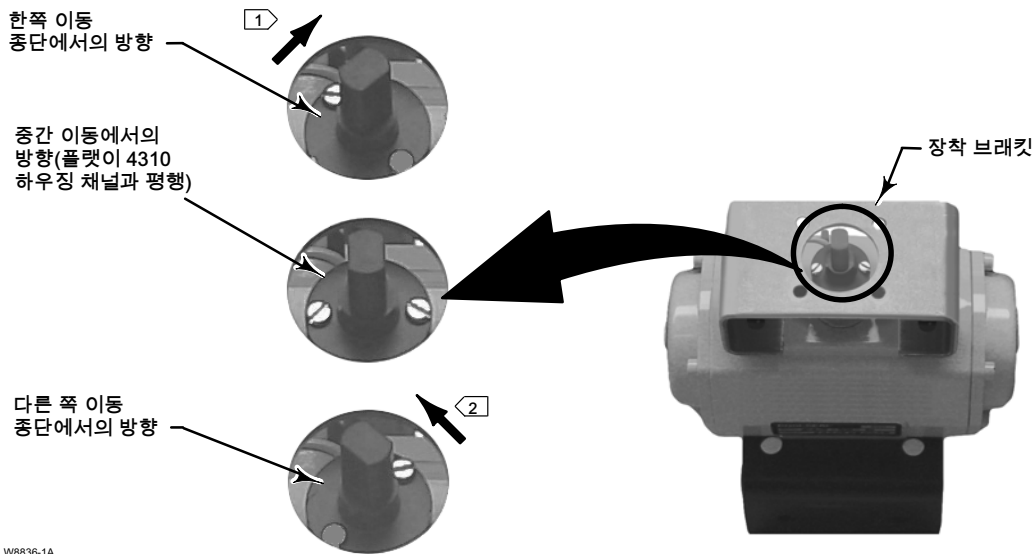
3. 장착 브래킷을 액추에이터에 설치합니다.
4. 그림 15와 같이 4개의 장착 볼트를 이용하여 4310을 장착 브래킷에 부착합니다.
5. 자석 어셈블리와 위치 피드백 슬롯 사이의 간격을 확인합니다.
6. 액추에이터를 스트로크하고, 전체 회전 범위에서 자석 어셈블리가 슬롯의 중심에 맞춰져 있는지 확인합니다.
7. 기기를 장착했으면 31페이지에서 설명한 대로 로컬 인터페이스 검교정 절차를 수행합니다. 자석 어셈블리가 전체 회전 범위에 걸쳐 중앙에 유지되는지 확인합니다.

그림 16. 장착 - 회전 자석 어셈블리



GE59831

그림 17. 자석 어셈블리 방향



W8836-1A
W8836-1B

참고:

- ① 액추에이터가 오른쪽으로 또는 시계 방향으로 완전히 스트로크되면 자석 어셈블리가 기기의 오른쪽 상단 모서리를 향하도록 부착합니다.
- ② 액추에이터가 왼쪽으로 또는 반시계 방향으로 완전히 스트로크되면 자석 어셈블리가 안테나(기기의 왼쪽 상단 모서리)를 향하도록 부착합니다.

켜짐/꺼짐 제어 옵션의 공급 접속 절차

▲ 경고

부품 파열로 인한 상해나 재산 피해를 방지하려면 최대 공급 압력을 초과하지 마십시오.

천연 가스를 공급 매체로 사용하면서 적절한 예방 조치를 취하지 않으면 화재 또는 폭발로 인한 상해나 자산 손실이 발생할 수 있습니다. 예방 조치로는 충분한 환기, 모든 접화 장치 제거 유닛 원격 벤트홀, 위험 지역 분류 재평가 등이 있습니다. 이 컨트롤러의 원격 통풍에 대한 자세한 내용은 26페이지를 참조하십시오.

기기 공급 매체가 깨끗하지 않고, 건조하고, 윤활유가 없고, 부식이 없을 경우 프로세스가 통제되지 않아 심각한 상해나 재산 피해를 입을 수 있습니다. 대부분의 애플리케이션에서 지름이 40마이크로미터가 넘는 입자를 제거하는 필터를 사용하고 주기적으로 유지 관리하기에 충분합니다. 부식성 공기에 사용하려는 경우 또는 공기 여과의 양이나 필터 유지 관리에 자신이 없을 경우 에머슨 프로세스 매니지먼트 영업소에 문의하거나 산업용 기기 공기 품질 표준을 확인하십시오.

▲ 경고

천연 가스를 공급 매질로 사용할 경우 아래 내용이 적용됩니다.

- 공급식 연결부 또는 압력 유지 부품을 제거할 경우 유닛 및 주변 환경과 연결된 장비에서 천연 가스가 새어 나옵니다. 천연 가스를 공급 매체로 사용하면서 적절한 예방 조치를 취하지 않으면 상해나 자산 손실이 발생할 수 있습니다. 예방 조치로는 충분한 환기, 모든 접화 장치 제거 등이 있습니다.
- 4310은 폭발성 유체 및/또는 공정 싼을 포함하지 않습니다. 천연 가스를 공급 매질로 사용할 경우 이러한 유형의 제품 설치에 대한 적절한 현지, 지역 및 국가 규정을 준수하십시오.

공급 압력 매질은 깨끗하고 건조하며 비부식성이어야 하며 ISA 표준 7.0.01 및 ISO 8573-1의 요건을 충족해야 합니다. 최대 허용치 40마이크로미터 입자를 가진 에어 시스템에서 사용 가능합니다. 5마이크로미터 입자 크기까지의 추가적인 여과를 권장합니다. 윤활제 함유량은 무게(w/w) 또는 볼륨(v/v) 기준 1ppm을 초과해서는 안 됩니다. 공급 매질 내 응축은 최소화해야 합니다.

표준 5마이크로미터 필터의 67CFR 필터 조절 장치나 이에 상당하는 장치를 사용하여 공급 에어가 대부분의 애플리케이션에 충분할 수 있도록 여과 및 조절하십시오. 공급 연결부는 1/4 NPT입니다.

공급 공기를 스펴 밸브에 연결하기 전에 시스템을 세정하여 이물질이나 오염물질을 제거합니다.

4방향 스펴 밸브

스펴 밸브는 5포트 4방향 밸브이며 내부 장착 파일럿으로 구동됩니다. 스펴 밸브 공급 및 작업 포트 위치와 설치 옵션에 관한 내용은 그림 18을 참조하십시오.

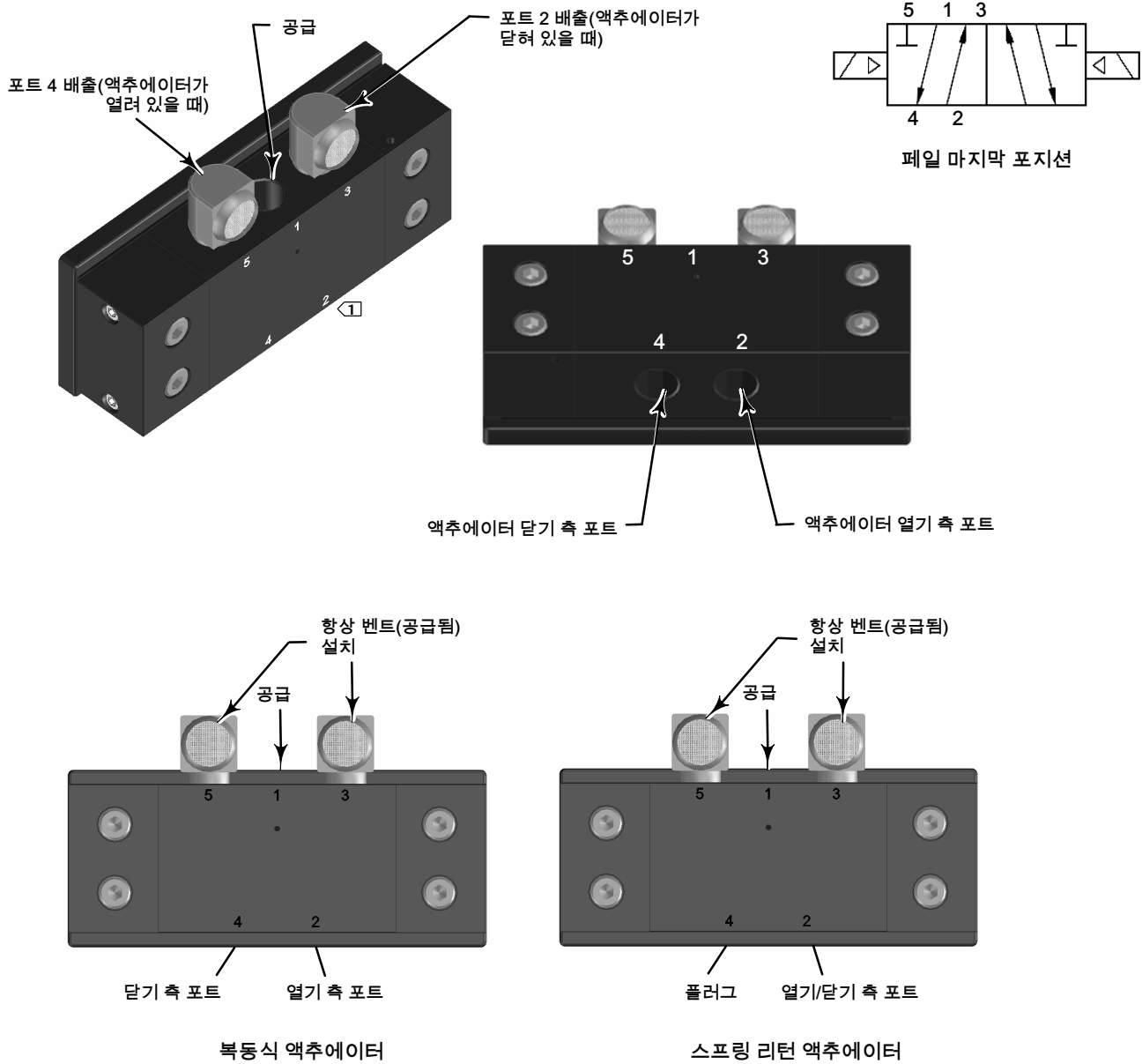
주의

공급된 벤트를 배출 포트(포트 3 및 5)에 설치하지 않으면 싼이 손상될 수 있습니다.

포트 5를 막거나 차단하거나 제한하지 마십시오. 차단하거나 제한하면 엔클로저 안에 내부 압력이 축적되어 하우스링 개스킷이 손상될 수 있습니다.

이물질이 스펀 밸브로 떨어지는 것을 방지하기 위해 공급된 벤트를 배출 포트(포트 3 및 5)에 설치합니다. 파이프 나사부와 피팅에 일반용 축삭 실란트를 바릅니다. 포트 3에 니들 밸브와 같은 흐름 제어를 사용할 수 있지만, 포트 5에는 사용하면 안 됩니다. IP67 보호 기준을 충족하려면 포트 3과 5에 원격 벤트홀이 필요합니다.

그림 18. 4방향 스펀 밸브 설치



참고:
[1] DD는 파일럿 밸브 포트를 가리키며 특히 스펀 밸브 포트를 가리키지는 않습니다.

벤트 포트

▲ 경고

과도한 압력으로 인해 덮개가 파손될 경우 상해나 자산 손실이 발생할 수 있습니다. 하우스징 벤트홀이 열려 있고 이물질이 쌓이지 않도록 관리하여 덮개 아래에 압력이 가중되지 않게 해야 합니다.

▲ 경고

이 장치는 공급 매질을 주변의 대기로 배출합니다. 좁고 사방이 막힌 지역의 무해한(분류 안 된) 위치에 이 유닛을 설치하고 천연 가스를 공급 매체로 사용할 경우 멀리서 안전한 위치에 이 유닛을 통풍시켜야 합니다. 이렇게 하지 않으면 화재나 폭발로 인한 상해나 자산 손실을 일으키고 영역 재분류로 이어질 수 있습니다.

이 장치를 위험한(분류된) 위치에 설치할 때는 영역 분류에 따라 지방, 지역 및 연방 규정, 규칙, 규제에 지정된 대로 장치를 통풍해야 할 수 있습니다. 필요할 때 이렇게 하지 않으면 화재나 폭발로 인한 상해나 자산 손실을 일으키고 영역 재분류로 이어질 수 있습니다.

통풍 배관은 현지 및 지역별 규정을 준수해야 하며 최소 내부 지름을 12.7mm(1/2인치)로 하여 배관 길이를 최대한 짧게 하고 굴곡부를 최소화하여 케이스 압력 축적을 줄여야 합니다.

배기가스를 멀리서 통풍하거나 IP67 보호 기준을 충족하려면 튜브와 1/4 NPT 피팅을 스톱 밸브 포트 3과 5에 연결합니다. 케이스 벤트 포트에 튜브와 1/2 NPT 피팅을 연결합니다.

통신 연결

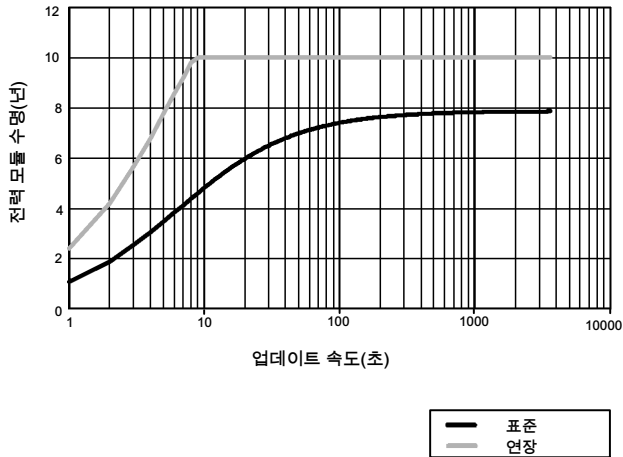
편리한 종단점은 그림 5와 같이 전면 덮개 내부에 위치합니다. 극성 비감응 연결 핀은 *WirelessHART* 규격에서 정의된 Maintenance Port(유지 관리 포트)에 대한 액세스를 제공합니다.

무선 통신

WirelessHART 네트워크의 장치는 시간 동기화되어 있으며 선택 가능한 업데이트 속도로 데이터를 게이트웨이로 전송합니다. 장치의 업데이트 속도는 게이트웨이가 서비스할 수 있는 장치의 수에 영향을 미칩니다. 예를 들어 각 장치가 1분에 한 번 업데이트를 전송할 경우, 게이트웨이는 100개의 장치를 지원할 수 있습니다.

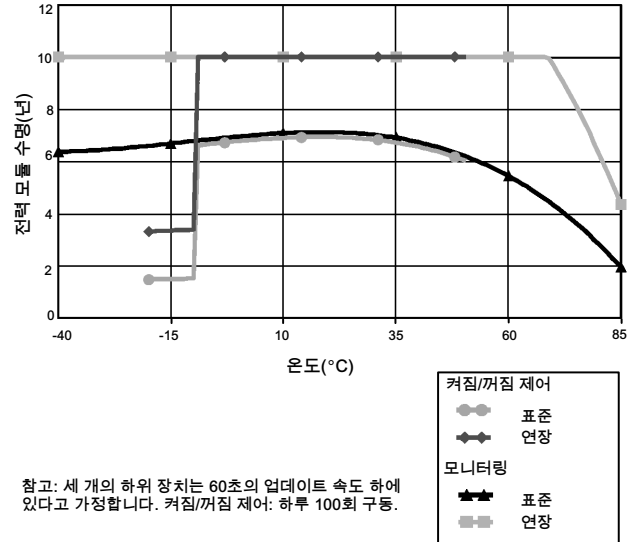
배터리식 장치는 선택 가능한 업데이트 속도에서 데이터를 감지하고 전송만 함으로써 에너지를 보존합니다. 업데이트 속도가 빠를수록 전력 모듈의 수명은 짧아집니다. 그림 19, 20, 21 및 22는 각각 전력 모듈 수명과 업데이트/샘플 속도, 하위 장치의 수, 온도, 구동 사이의 연관성을 나타냅니다.

그림 19. 전력 모듈 수명에 대한 업데이트 속도의 영향: 켜짐/꺼짐 제어 및 모니터링



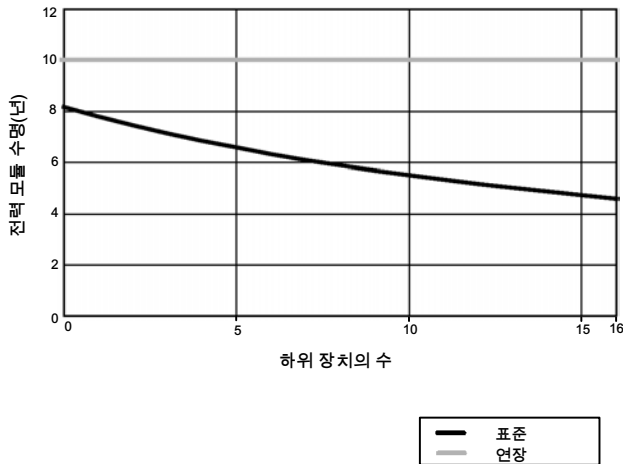
참고: 세 개의 하위 장치 가정, 22°C(72°F)의 일정한 온도.

그림 21. 전력 모듈 수명에 대한 온도의 영향: 켜짐/꺼짐 제어 및 모니터링



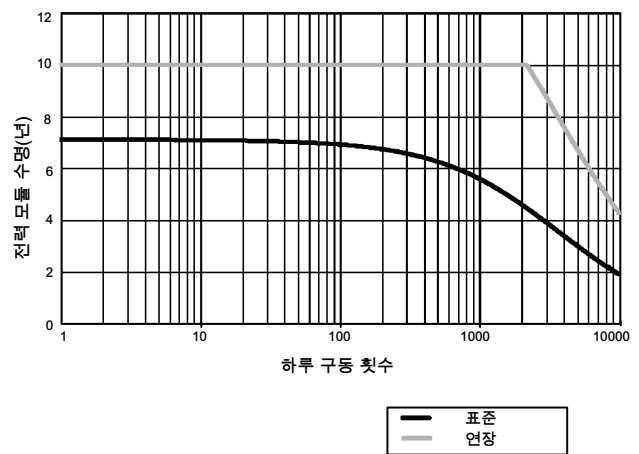
참고: 세 개의 하위 장치는 60초의 업데이트 속도 하에 있다고 가정합니다. 켜짐/꺼짐 제어: 하루 100회 구동.

그림 20. 전력 모듈 수명에 대한 하위 장치 수의 영향: 모니터링



참고: 60초 업데이트 속도, 22°C(72°F)의 일정한 온도.

그림 22. 전력 모듈 수명에 대한 구동의 영향: 켜짐/꺼짐 제어



참고: 세 개의 하위 장치 가정, 60초의 업데이트 속도, 22°C(72°F)의 일정한 온도.

지속적 업데이트가 선택된 장치 변수에 대한 기본 통신 방법이며, 데이터의 변경 여부에 관계없이 업데이트 기간에 매번 장치가 데이터를 게이트웨이로 전송합니다. 하지만 4310은 기본 업데이트 속도보다 빨리 포지션 피드백 샘플링을 허용하여 측정된 변수가 변경되었을 경우에만 데이터를 전송하도록 구성할 수도 있습니다. 이는 특정 어플리케이션에서 유용합니다(예: 방출

밸브 모니터링과 함께 사용할 경우). 표준 및 연장 수명 배터리 공급 전력 모듈 사용 시, 샘플 속도는 0.5초 샘플링과 같이 빠르게 설정할 수 있습니다. 외부 전력 옵션 사용 시 샘플링 속도는 초당 약 20회 속도로 설정됩니다.

참고

세 개의 버스트 메시지 중에서 최소한 한 개 이상이 트리거되는 경우에만 퍼블리싱 속도보다 빠르게 샘플링을 구성할 수 있습니다.

더 빠른 샘플링에 대한 추가 정보는 39페이지의 고급 무선 보고(예외로 보고 및 지연 트리거 보고)를 참조하십시오.

네트워크 크기에 대한 자세한 사항은 <http://www2.emersonprocess.com/en-US/brands/rosemount/Wireless/Wireless-Gateways/Pages/index.aspx> 의 에머슨 스마트 무선 게이트웨이 정보를 참조하십시오.

기본 설정

로컬 사용자 인터페이스 사용

주의

누름 버튼이나 단자에 접근할 때는 적절한 정전기 방전 보호 수단이 필요합니다. 적절한 보호를 제공하지 못할 경우에는 장치 고장을 일으킬 수 있습니다.

로컬 사용자 인터페이스의 주 기능은 검교정입니다. 그러나 장치 및 연결 기기 또는 밸브 상태 점검에 대한 정보는 로컬 사용자 인터페이스를 통해서도 이용할 수 있습니다.

참고

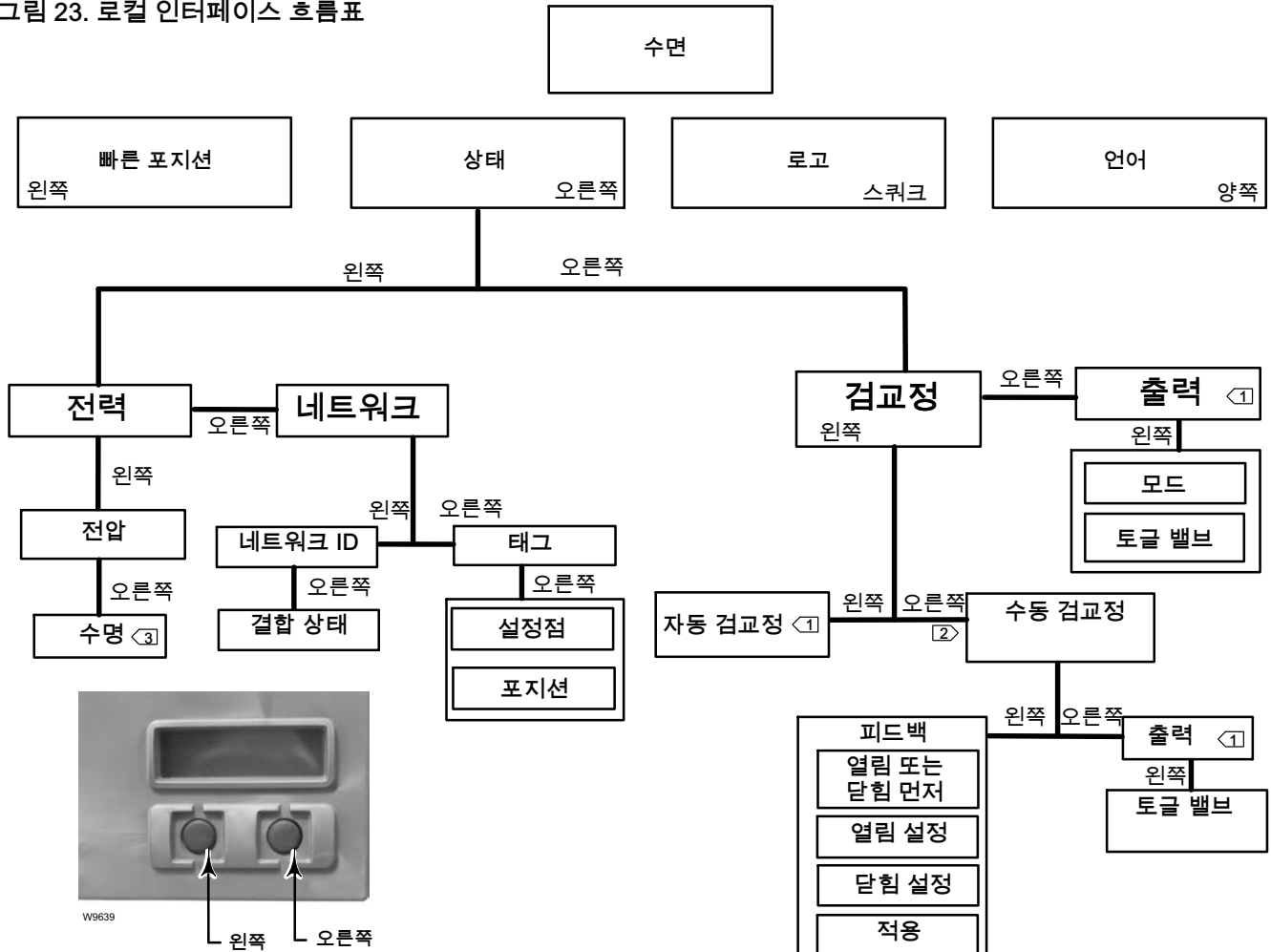
4310을 검교정하려면 밸브를 열었다 잠그거나, 그 반대로 하십시오. 밸브를 움직이지 않고 장치를 검교정하려 할 경우 이는 무효가 됩니다. 장치의 상태는 변하지 않습니다.

로컬 사용자 인터페이스의 검교정 기능은 보안 목적으로 HART 마스터에서 잠글 수 있습니다.

LCD 디스플레이의 버튼 두 개(그림 23 참조)는 LCD가 수면 상태(비어 있거나 꺼짐)에 있을 때 디스플레이를 활성화하는 데 사용됩니다. 버튼은 단독으로 누르거나 동시에 누를 수 있습니다. HART 스쿼크 명령으로 LCD가 활성화되면 에머슨 로고가 표시됩니다. 자세한 내용은 57페이지의 '찾기'를 참조하십시오.

인터페이스 탐색 시 왼쪽 버튼은 일반적으로 작업을 SELECT(선택)하거나 시행하는 데 사용되며 오른쪽 버튼은 NEXT(다음) 옵션으로 이동하는 데 사용됩니다. 로컬 인터페이스 흐름표는 그림 23을 참조하십시오.

그림 23. 로컬 인터페이스 흐름표



참고:

- ① 켜짐/꺼짐 제어에만 해당됨.
- ② 모니터링 옵션이 없는 4310의 수동 검교정에 접근하려면 왼쪽 버튼을 누르십시오.
- ③ 외부 전력 옵션이 설치되어 있으면 수명 메뉴가 나타나지 않습니다.

펌웨어 개정 식별

장치가 수면 상태에 있을 때 펌웨어 개정을 확인하려면 오른쪽 버튼을 누릅니다.

언어 선택

두 버튼을 모두 누르면 언어 선택 메뉴가 활성화됩니다. 오른쪽 NEXT(다음) 버튼을 눌러 원하는 언어로 스크롤한 다음 왼쪽 버튼을 눌러 언어를 SELECT(선택)합니다.

빠른 포지션

화면이 수면 상태일 때 왼쪽 버튼을 누르면 QUICK POSITION(빠른 포지션) 디스플레이가 활성화됩니다. 밸브의 위치(열림, 부분 열림, 닫힘)가 표시됩니다. 4초 후 디스플레이가 자동으로 꺼집니다.

상태

오른쪽 버튼만 누르면 STATUS(상태) 메뉴가 활성화됩니다. STATUS(상태) 메뉴에는 전력 모듈 상태, 네트워크 작동 매개변수(켜짐/꺼짐 제어 설정점 포함), 네트워크 인터페이스 상태 등 장치에 대한 정보가 포함되어 있습니다. 또한 장비 검교정을 할 수 있습니다.

전력

전력 상태 메뉴는 STATUS(상태) 메뉴에서 SELECT(선택)를 눌러 입력합니다. SELECT(선택)를 눌러 전력 모듈의 전압을 확인합니다. NEXT(다음)를 눌러 전력 모듈의 남은 수명 추정치를 표시합니다.

참고

전력 모듈의 남은 수명은 추정치입니다. 전력 모듈의 수명은 다음을 비롯한 여러 작동 조건의 영향을 받습니다. 전력 모듈 유형, 4310의 업데이트 또는 버스트 속도. 이 장치를 거쳐 게이트웨이까지 작동하는 장치의 수 및 그러한 장치의 업데이트 또는 버스트 속도. 장치를 통해 어느 정도의 트래픽을 유발하는 네트워크 변화. 예를 들어 리라우팅, 장치를 통한 더 많은 트래픽을 유발하는 메시 네트워크의 또 다른 무선 장치 장애. 온도의 극단(높은 쪽과 낮은 쪽 모두) 또한 전력 모듈의 수명에 영향을 미칩니다.

외부 전력 옵션이 설치되어 있을 때 *Life*(수명) 메뉴는 이용할 수 없습니다.

전력 모듈 수명 디스플레이에서 NEXT(다음)를 눌러 전력 메뉴로 돌아갑니다. NEXT(다음)를 눌러 네트워크 메뉴로 들어갑니다.

네트워크

오른쪽 버튼(STATUS(상태)), 왼쪽 버튼(SELECT(선택)), 그 다음 오른쪽 버튼(NEXT(다음))을 눌러 네트워크 화면에 액세스합니다.

SELECT(선택)를 눌러 장치에서 구성된 네트워크 ID를 표시합니다. NEXT(다음)를 눌러 현재 네트워크 작동 상태를 표시합니다.

SEARCHING(검색 중) - 장치가 동일한 네트워크 ID 및 조인키가 있는 무선 네트워크의 존재를 탐지하기 위해 기다리고 있습니다.

NEGOTIATING(교섭 중) - 동일한 네트워크 매개변수를 지닌 무선 네트워크의 존재가 감지되었으며 장치가 네트워크에 결합하려 하고 있습니다.

CONNECTED(연결됨) - 장치가 동일한 네트워크 매개변수를 지닌 무선 네트워크의 존재를 감지했으며 성공적으로 네트워크에 결합했습니다.

OPERATIONAL(작동 중) - 장치가 무선 네트워크 내에서 작동하고 있습니다.

DISCONNECTED(차단됨) - 장치가 무선 네트워크에서 차단되었습니다.

IDLE(유휴) - 장치가 HART 명령에 따라 무선 네트워크에 결합하지 않습니다.

NEXT(다음)를 눌러 네트워크 메뉴로 돌아갑니다.

네트워크 메뉴에서 NEXT(다음)를 눌러 장치의 TAG(태그)를 봅니다. 켜짐/꺼짐 제어 옵션이 있는 장치의 설정점을 보려면 NEXT(다음)를 누릅니다. 벨브나 모니터링한 기기의 현재 위치를 보려면 오른쪽 버튼을 누릅니다.

오른쪽 버튼을 눌러 STATUS(상태) 메뉴로 돌아갑니다.

STATUS(상태) 메뉴에 있을 때 NEXT(다음)를 눌러 CALIBRATE(검교정) 메뉴에 액세스합니다.

검교정

켜짐/꺼짐 제어가 있는 검교정 메뉴에 액세스하려면 오른쪽 버튼을 눌러 STATUS(상태) 메뉴에 액세스한 다음 왼쪽 버튼NEXT(다음)을 누른 후, 오른쪽 버튼SELECT(선택)을 누릅니다. 모니터링 옵션을 사용할 경우 검교정 메뉴에 액세스하려면 STATUS(상태) 메뉴에서 오른쪽 버튼을 누릅니다.

⚠ 경고

검교정하는 동안에는 밸브가 완전 스트로크로 움직입니다. 압력 또는 프로세스 유체의 배출에 의한 상해 및 자산 손실을 방지하려면 밸브를 프로세스에서 격리하고 밸브 양쪽의 압력을 균등하게 조정하거나 프로세스 유체를 배출하십시오.

참고

기기가 스냅 작동 모드에 있을 때에는 밸브 설정점을 변경(즉, 열기에서 닫힘으로)할 수 없습니다. 이는 모니터링 대상 장비의 포지션 신호가 다른 밸브의 상태 변경에 사용되기 때문입니다. 3페이지의 그림 3을 참조하십시오. 스냅 작동 모드에서는 출력의 수동 검교정이 필요합니다.

자동 검교정(켜짐/꺼짐 제어)

AUTO(자동) 검교정에 액세스하려면 왼쪽 버튼을 누릅니다. 이 버튼은 공압 출력 검교정을 위해 켜짐/꺼짐 제어와 함께 사용됩니다. 밸브를 이동하라는 메시지가 나타나면 오른쪽 버튼(OK)을 누릅니다. 그러면 공압 출력이 설정됩니다. 다음 디스플레이에서는 현재 상태를 선택하라는 지시를 하며, 열림을 선택하려면 왼쪽 버튼을 누르고 닫힘을 선택하려면 오른쪽 버튼을 누릅니다. 메시지가 표시되면 NEXT(다음)를 눌러 CALIBRATE(검교정) 메뉴로 돌아갑니다.

참고

자동 검교정 중에 각 방향에 대하여 밸브 이동에 5분 이상이 소요되면 수동 검교정을 수행해야 합니다. 일반적 자동 검교정 시에는 열림 > 닫힘 > 열림 > 닫힘으로 이동하고, 최대 20분이 걸릴 수 있습니다.

수동 검교정

켜짐/꺼짐 제어가 있는 MANUAL(수동) 검교정에 액세스하려면 오른쪽 버튼을 누릅니다. 모니터링 옵션이 있는 MANUAL(수동) 검교정에 액세스하려면 왼쪽 버튼을 누릅니다.

피드백 - 켜짐/꺼짐 제어를 위해서는 피드백 검교정의 왼쪽 버튼을 누릅니다. 모니터링을 위해서는 SELECT(선택)를 누릅니다.

이를 통해 사용할 첫 검교정점을 열림 또는 닫힘으로 선택할 수 있습니다. 왼쪽 버튼을 눌러 열림을, 오른쪽 버튼을 눌러 닫힘을 선택합니다. 모니터링의 경우에만, 다음 디스플레이는 선택한 첫 검교정점에 따라 열림 또는 닫힘 위치에서 밸브나 모니터링된 기기를 설정하도록 지시합니다. 포지션에서 설정되면 왼쪽 버튼을 사용하여 기록 위치를 MARKED(표시)로 전환합니다. MARKED(표시)는 위치가 기록되었음을 의미하는 것이며, UNMARKED(표시 안 됨)는 위치가 기록되지 않았음을 의미하는 것입니다. 첫 위치가 MARKED(표시)되면 NEXT(다음)를 눌러 두 번째 검교정점(첫 검교정점의 반대편이 됨)을 선택합니다. 왼쪽 버튼을 사용하여 기록 위치를 MARKED(표시)로 전환합니다. NEXT(다음)를 눌러 APPLY(적용) 메뉴로 들어갑니다. YES(예)를 눌러 변경 사항을 적용합니다. 메시지가 표시되면 NEXT(다음)를 눌러 CALIBRATE(검교정) 메뉴로 돌아갑니다.

참고

수동 검교정 절차 중에는 밸브가 한 위치와 MARKED(표시)로 이동합니다. 그런 다음 밸브가 이동 또는 회전의 다른 쪽 끝으로 이동하여 두 번째 위치가 기록(MARKED(표시))됩니다. 이전 검교정점을 사용하거나 버릴 수 있습니다.

밸브 위치를 변경하지 않고 검교정점을 적용할 경우 사용하지 않거나 버리는 검교정 시도가 될 수 있습니다.

출력(켜짐/꺼짐 제어)

OUTPUT(출력) 검교정에 액세스하려면 오른쪽 버튼을 누릅니다. 밸브를 이동하라는 메시지가 나타나면 왼쪽 버튼(OK)을 누릅니다. 그러면 공압 출력 동작을 밸브 이동 방향으로 설정합니다. 다음 디스플레이에서는 현재 상태를 선택하라는 지시를 하며, 열림을 선택하려면 왼쪽 버튼을 누르고 닫힘을 선택하려면 오른쪽 버튼을 누릅니다. 메시지가 표시되면 NEXT(다음)를 눌러 CALIBRATE(검교정) 메뉴로 돌아갑니다.

검교정이 완료되면 검교정 상태가 표시됩니다.

SUCCESS(성공) - 검교정 절차가 성공적임을 나타냅니다.

SPAN HI(스판 높음) - 높은 끝의 이동 또는 회전에 관련된 문제가 관찰되었음을 나타냅니다. 장착 및 자석 어셈블리 배치를 확인하고 검교정을 다시 시도하십시오.

SPAN LO(스판 낮음) - 낮은 끝의 이동 또는 회전에 관련된 문제가 관찰되었음을 나타냅니다. 장착 및 자석 어셈블리 배치를 확인하고 검교정을 다시 시도하십시오.

ERROR SPAN(스판 오류) - 표시된 두 개의 끝점 사이의 거리가 너무 작아 믿을 수 있는 검교정을 제공할 수 없다는 것을 나타냅니다. 문제해결 도움말은 60페이지의 표 5를 참조하십시오.

- 장착 및 자석 어셈블리 배치를 확인하고 검교정을 다시 시도하십시오.
- 회전 자석 어셈블리 사용 시 자석이 포지셔너 피드백 슬롯에 수직이 되지 않게 하십시오.

FAILED(실패) - 자동 검교정이 실패하였음을 나타내며 그 주된 이유는 밸브 이동이 실패하였거나 지정 시간 내에 정착하지 않았기 때문입니다(각 포지션의 정착 시간은 5분).

오른쪽 버튼을 눌러 검교정 시도를 종료하면 디스플레이에 UNCHANGED(변경되지 않음)가 표시됩니다.

NEXT(다음)를 눌러 CALIBRATE(검교정) 메뉴로 돌아갑니다.

CALIBRATE(검교정) 디스플레이에서 NEXT(다음)를 눌러 OUTPUT(출력) 메뉴(켜짐/꺼짐 제어만 해당)에 들어가거나 EXIT(종료) 메뉴를 표시합니다.

출력(켜짐/꺼짐 제어)

오른쪽 버튼을 눌러 출력 메뉴에 액세스하여 STATUS(상태) 메뉴에 액세스하고, 왼쪽 버튼NEXT(다음), 그 다음으로 다시 NEXT(다음)를 누릅니다.

OUTPUT(출력) 메뉴에서 장치 모드를 보기/변경할 수 있습니다. 현재 장치 모드를 보려면 SELECT(선택)를 누릅니다. 모드를 OUT OF SERVICE(서비스 중단)에서 IN SERVICE(서비스 실행 중)으로 또는 그 반대로 전환하려면 왼쪽 버튼을 누릅니다. 완료하면 NEXT(다음)를 선택합니다. 그 다음 디스플레이에서 값을 전환할 것인지 묻습니다. 값을 전환하려면 왼쪽 버튼YES(예)을 누르고 출력 메뉴로 돌아가려면 오른쪽 버튼NO(아니오)을 누릅니다. 로컬 사용자 인터페이스를 종료하려면 SELECT(선택)을 누릅니다. STATUS(상태) 메뉴로 돌아가려면 NEXT(다음)를 누릅니다.

참고

장치가 Out of Service(서비스 중단) 상태인 경우에만 LUI에서 사용자 설정점을 전환할 수 있습니다.

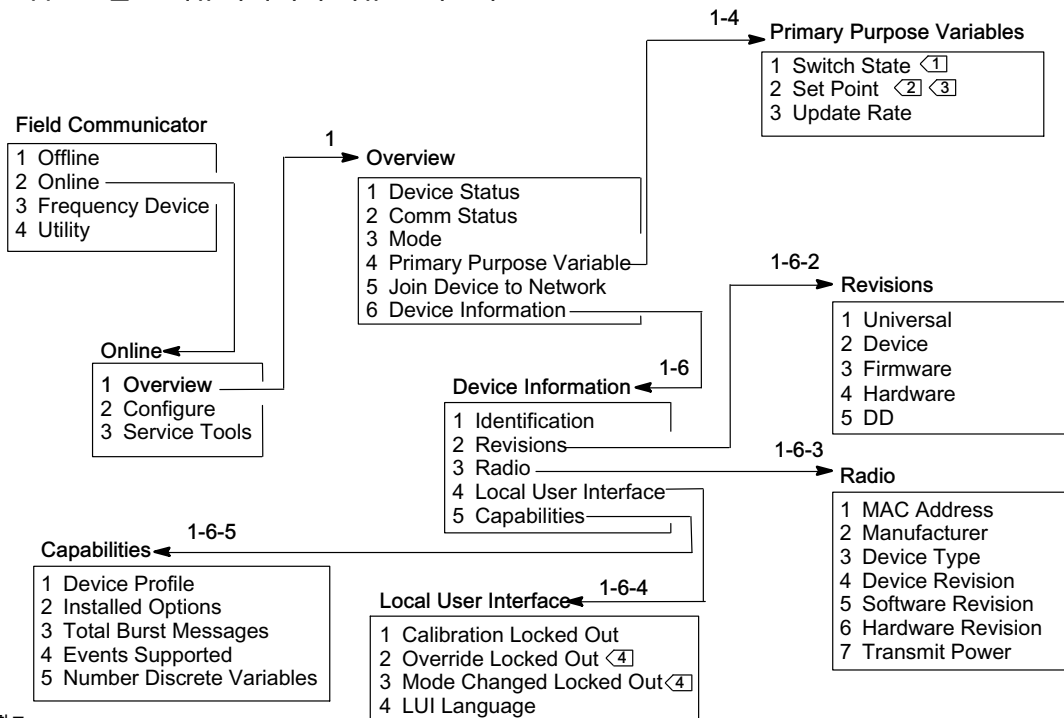
장치에서 래치가 활성화되어 작동 상태인 경우 LUI에 Clear Latch(래치 초기화) 화면이 표시될 수 있습니다.

필드 커뮤니케이터 사용

개요

개요 메뉴 트리에 대해서는 그림 24를 참조하십시오.

그림 24. 필드 커뮤니케이터 메뉴 트리 - 개요



참고:

- ① 작동 모드가 래칭인 경우 항목 라벨은 (스위치 상태가 아닌) 래칭 스위치입니다(모니터링 또는 스냅 작동 모드에만 해당).
- ② 모니터링 옵션에서는 설정점이 보이지 않습니다.
- ③ 스냅 작동 모드의 경우 항목 라벨은 (설정점이 아닌) 스냅 명령입니다.
- ④ 모니터링 옵션에서는 OVERRIDE LOCKED OUT(오버라이드 잠금)과 MODE CHANGED LOCKED OUT(모드 변경 잠금)가 보이지 않습니다.

Device Status(장치 상태)는 장치 상태를 나타냅니다. 상태가 Good(좋음)이 아닌 경우 메뉴 항목이 확장되어 활성 경고 목록을 표시할 수 있으며 이때 해당 PlantWeb 경고 범주, 설명, 권장 조치, (해당할 경우) 유용한 문제해결 절차, 이미지 또는 변수 값도 함께 표시됩니다.

Comm Status(통신 상태)는 통신 상태 즉 제한된 대역폭, 연결됨, 결합, 또는 연결되지 않음을 표시합니다.

추가적인 통신 상태 정보를 보려면 엽니다. 상태가 연결됨인 경우, *무선 모드*와 *연결 해제*가 표시됩니다. 통신 상태가 '연결됨' 이외의 상태인 경우, 메뉴 항목 *결합 모드*와 *고급*이 *무선 모드*와 *연결 해제* 항목 사이에 추가됩니다. *통신 상태*가 '연결되지 않음'일 경우 메뉴 항목 *연결 해제*가 *네트워크 재결합*으로 대체됩니다. 자세한 내용은 49페이지에서 설명하는 정비 도구 > 통신 > 네트워크(3-3-1) 메뉴를 참조하십시오.

Mode(모드)는 장치 제어 모드 즉 서비스 실행 중, 서비스 중단, 고장 상태를 표시합니다. 모드를 변경하거나 고장 상태에 대한 문제해결을 위해서 엽니다.

1차 목적 변수

스위치 상태/래칭 스위치 - 검교정된 센서 포지션 및 입계치, 데드밴드, 래치의 구성을 바탕으로 한 스위치 변수의 현재 상태를 나타냅니다. 가능한 상태는 열림, 닫힘, 부분 열림, 낮음, 중간, 높음입니다.

설정점/스냅 명령 - 제어 대상 변수의 목표 값을 나타냅니다. 해당 값은 열기, 닫기 또는 열림, 닫힘입니다.

항목의 값, 래칭 모드(해당 시) 및 전반적인 프로세스 데이터 품질을 보려면 *스위치 상태/래칭 스위치* 또는 *설정점/스냅 명령*을 선택합니다. 값은 Good(좋음), Degraded(저하됨), Bad(나쁨) 및 Manual/Fixed(수동/고정)입니다. 시뮬레이션된 플래그는 사용자 명령으로 변수가 시뮬레이션되고 있음을 나타냅니다.

업데이트 속도 - 1차 목적 변수 메뉴에 표시되는 각 변수의 유효 업데이트 속도를 나타냅니다.

장치를 네트워크에 결합을 통해 네트워크 ID(최대 5자리 숫자)와 조인키(8개의 16진법 숫자 4세트)를 입력할 수 있습니다. 조인키는 데이터를 무선 네트워크에 부호화하는 데 사용됩니다. 네트워크 ID와 조인키는 게이트웨이에 연결된 모든 장치에 동일합니다.

참고

네트워크 ID는 1229의 기본값으로, 조인키는 모두 0의 기본값으로 출시됩니다. 사용하기 전에 변경해야 합니다.

고급 보안 모드에서 게이트웨이를 구성할 때 각 장치에는 개별 조인키가 있어야 합니다.

장치 정보

식별 - 기기 제조업체, 장치 태그, 모델, 고유 ID, 설명, 메시지, 폴링 주소, 일련번호, 위탁일을 비롯한 전반적인 장치 및 기능 할당 정보가 포함됩니다.

개정 - *유니버설, 장치, 펌웨어, 하드웨어, DD* 등의 장치 개정 정보.

무선 - *MAC 주소, 제조사, 장치 유형, 장치 개정, 소프트웨어 개정, 하드웨어 개정, 송신 출력* 등의 무선 정보.

로컬 사용자 인터페이스 - *검교정 잠금, 오버라이드 잠금, 모드 변경 잠금, LUI 언어(보기 전용)*를 편집하거나 조회할 수 있습니다.

참고

모니터링 옵션에서는 *오버라이드 잠금*과 *모드 변경 잠금*은 보이지 않습니다.

기능 - *장치 프로필(장치가 지원하는 명령 유형을 식별함), 설치된 옵션, 전체 버스트 메시지, 지원되는 이벤트, 이산 변수 개수* 등 장치에 관한 기술 정보를 볼 수 있습니다.

구성

구성 메뉴 트리에 대해서는 그림 25를 참조하십시오.

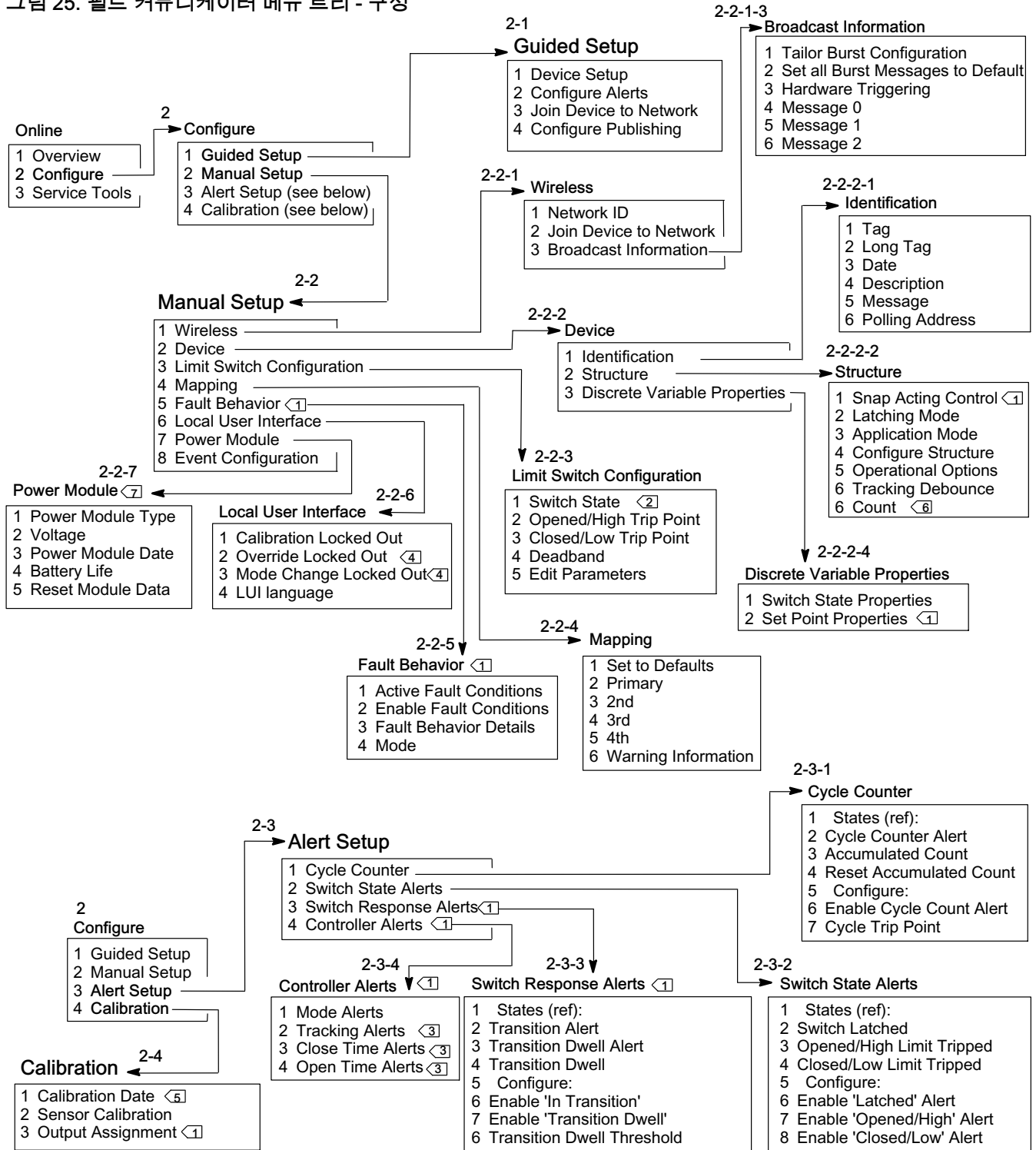
장치 구성 활동에는 장치가 퍼블리싱하지 않으므로 게이트웨이에 캐시되지 않는 장치 정보에 대한 액세스 및 수정이 포함됩니다. *프록시(게이트웨이)*를 통해 장치와 소통하는 호스트를 사용하여 구성을 수행할 때에는 무선 네트워크를 통해서 추가로 트래픽이 발생합니다.

필드 커뮤니케이터나 다른 휴대용 호스트는 유선 유지관리 통신 포트에 직접 연결할 수 있습니다. 그 다음, 구성을 위한 모든 통신은 장치 무선 및 유선 네트워크를 우회하여 장치의 내부 HART 모뎀을 통해 직접 처리됩니다.

안내 설치

필드 커뮤니케이터의 프롬프트에 따라 *장치 설정, 경보 구성, 장치를 네트워크에 결합, 퍼블리싱 구성*을 보거나 편집할 수 있습니다.

그림 25. 필드 커뮤니케이터 메뉴 트리 - 구성



참고:
 ① 켜짐/꺼짐 제어만 해당.
 ② 작동 모드가 래칭인 경우 항목 라벨은 (스위치 상태가 아닌) 래칭 스위치입니다(모니터링 또는 스냅 작동 모드에만 해당).
 ③ 스냅 작동 모드에서는 지원되지 않음.
 ④ 모니터링 옵션에서는 OVERRIDE LOCKED OUT(오버라이드 잠금)과 MODE CHANGED LOCKED OUT(모드 변경 잠금)가 보이지 않습니다.
 ⑤ 활성화 때에는 '검교정되지 않음' 경보가 검교정 일자를 대체합니다.
 ⑥ 모니터만 해당.
 ⑦ 외부 전력 옵션이 설치되어 있으면 전력 모듈 메뉴가 나타나지 않습니다.

수동 설정

필드 커뮤니케이터의 프롬프트에 따라 *무선, 장치, 리밋 스위치 구성, 매핑, 고장 동작, 로컬 사용자 인터페이스, 전력 모듈, 이벤트 구성*을 보거나 편집할 수 있습니다.

● 무선

네트워크 ID(dec) - 현재 네트워크 ID 설정을 표시합니다.

Join Device to Network(장치를 네트워크에 결합) - 네트워크 ID(최대 5자리 숫자)와 조인키(8개의 16진법 숫자 4세트)를 입력합니다. 조인키는 데이터를 무선 네트워크에 부호화하는 데 사용합니다. 네트워크 ID와 조인키는 게이트웨이에 연결된 모든 장치에 동일합니다.

참고

네트워크 ID는 1229의 기본값으로, 조인키는 모두 0의 기본값으로 출시됩니다. 사용하기 전에 변경해야 합니다.

고급 보안 모드에서 게이트웨이를 구성할 때 각 장치에는 개별 조인키가 있어야 합니다.

● 방송 정보

버스트 구성 조정 - 사용자 입력에 따라 해당 애플리케이션에 적합한 버스트 구성을 자동으로 선택합니다.

참고

최선의 버스트 구성 결과를 얻기 위해 버스트 구성 조정을 실행하기 전에 장치 구조(구성 > 수동 설정 > 장치 > 구조)를 구성하십시오.

모든 버스트 메시지를 기본으로 설정 - Set all Burst Messages to Default(모든 버스트 메시지를 기본으로 설정)를 선택하여 모든 버스트 메시지를 아래와 같이 자동으로 기본값으로 구성합니다. 동적 변수는 퍼블리싱된 변수들과 일치하는 기본 설정으로 맞춰집니다. 이는 초기 구성 및 나쁜 구성으로부터 복원하는 데 권장됩니다.

켜짐/꺼짐 제어

메시지 0:	선택된 장치 변수	- 켜짐, 구간화, 8초 트리거된 업데이트, 1분 기본값
메시지 1:	추가적 장치 상태	- 켜짐, 변경 중, 1분 트리거된 업데이트, 1시간 기본값, 지연된 트리거링
메시지 2:	이산 변수	- 켜짐, 변경 중, 8초 트리거된 업데이트, 1분 기본값
센서 샘플 속도:	배터리 전원 장치의 경우 8초 (외부 전력의 경우 50 밀리초)	

스냅 작동 제어

메시지 0:	선택된 장치 변수	- 켜짐, 구간화, 16초 트리거된 업데이트, 1분 기본값
메시지 1:	추가적 장치 상태	- 켜짐, 변경 중, 1분 트리거된 업데이트, 1시간 기본값, 지연된 트리거링
메시지 2:	이산 변수	- 켜짐, 변경 중, 1분 트리거된 업데이트, 10분 기본값
센서 샘플 속도:	배터리 전원 장치는 1초 (외부 전력의 경우 50 밀리초)	

모니터만 해당

메시지 0:	선택된 장치 변수	- 켜짐, 구간화, 4초 트리거된 업데이트, 1분 기본값
메시지 1:	추가적 장치 상태	- 켜짐, 변경 중, 1분 트리거된 업데이트, 1시간 기본값, 지연된 트리거링
메시지 2:	이산 변수	- 켜짐, 변경 중, 1분 트리거된 업데이트, 10분 기본값
센서 샘플 속도:	배터리 전원 장치는 1초 (외부 전력의 경우 50 밀리초)	

하드웨어 트리거링 - 펌웨어가 수면 상태에 있을 때 포지션 센서 입력 변경을 점검하여 변경이 발생하면 깨우기 쿨을 발생시키는 장치 하드웨어 회로를 활성화/비활성화 합니다.

메시지 0
메시지 1
메시지 2

버스트 메시지를 수동으로 구성하려면 *메시지 0*, *메시지 1* 또는 *메시지 2*를 선택합니다. 현재 버스트 구성을 보기 위해 엽니다. 구성을 선택하고, 필드 커뮤니케이터의 프롬프트에 따라 *메시지 0*, *1* 또는 *2*를 구성하고, 검토하여 변경을 적용할 것인지 또는 구성을 계속 수정할 것인지 선택합니다. 적용된 정보는 장치로 전송됩니다. 장치가 정보를 처리하여 오류가 있을 경우 오류에 관한 피드백을 제공합니다.

버스트 모드를 활성화하면 구성된 메시지를 게이트웨이에 주기적으로 알립니다. 게이트웨이는 이 퍼블리싱된 정보의 캐시를 유지하며, 캐시에 있는 최신 데이터를 사용하여 일상적 호스트 요구를 수행함으로써 모든 무선 장치에 대한 프록시로 작동합니다.

참고

초기 설치 중 버스트 모드를 기본값으로 설정하고 장치가 작동 무선 네트워크에 연결된 후에 버스트 구성에 대한 상세한 조정을 실시할 것을 권장합니다.

버스트 모드는 무선 링크 위에서만 지원됩니다. 유선 Maintenance Port(유지 관리 포트) 연결 위에서는 버스트 전송이 되지 않습니다.

기본 메시지 내용을 선택하려면 *1차 변수*, *PV % 범위와 루프 전류*, *동적 변수와 전류*, *선택된 장치 변수*, *추가 상태*, *에머슨 고유 및 이산 변수*에서 선택합니다.

기본 내용으로 *동적 변수와 전류*, *선택된 장치 변수* 또는 *에머슨 고유*를 선택할 경우, 메시지 슬롯에서 개별 장치 변수를 구성할 수 있습니다. 해당 애플리케이션에 적합하게 이용할 수 있는 드롭다운 또는 선택 목록에서 변수들을 선택합니다.

참고

별표(*)가 표시된 변수는 현재 설치된 옵션 및/또는 구조 구성 하에서 장치가 계산하지 않습니다. 이러한 변수가 없으면 호스트가 정확히 작동하지 못하는 상황이 아닌 한 이들을 퍼블리싱용으로 할당해서는 안 됩니다.

에머슨 게이트웨이를 사용 중인 경우에는 에머슨 고유를 선택할 수 있습니다. 이는 4개의 동적 변수와 추가 상태를 하나의 메시지에서 결합합니다. 그러나 여기에는 루프 전류 또는 PV % 범위 변수가 포함되지 않습니다. 제어 시스템에 PV % 범위 및 루프 전류가 필요한 경우에는, 선택된 장치 변수에 대해 구성된 메시지에 이러한 두 가지 변수가 포함되도록 하십시오.

고급 무선 보고(예외로 보고 및 지연된 트리거링)

예외로 보고(RBX) 또는 트리거된 버스트 모드를 통해서 변경이 발생할 때에만 데이터를 전송할 수 있습니다. 트리거된 버스트 모드가 활성화되면 모니터링한 트리거 변수에 상당한 변화가 있을 때의 빠른 속도로 트리거 변수가 확인되고 데이터가 샘플링되어 퍼블리싱됩니다. 더 느린 기본 속도는 트리거 상태가 충족되지 않을 때 사용됩니다. 이 기능은 데이터 전송이 더 적으므로 장치의 에너지 소비가 낮아지게 됩니다. 상당한 변화는 물론 빠른 업데이트 속도 및 기본 업데이트 속도의 값을 정의할 수 있습니다.

이 기능을 사용하려면 트리거된 버스트 모드 중 하나를 구성하십시오. 트리거된 버스트 모드에는 다음이 포함됩니다. Windowed(구간화), Rising(상승), Falling(하락), On-Change(변경 중) 트리거 모드.

- 구간화 - 마지막으로 샘플링한 트리거 변수 주변의 경계를 +/-로 정의할 수 있습니다. 트리거 변수는 해당 구간 이상으로 변경하여 빠른 업데이트 속도를 트리거해야 합니다.
- 상승 - 트리거 변수의 값이 선택한 트리거 레벨 이상으로 상승하면 더 빠른 업데이트가 시작됩니다.
- 하락 - 트리거 변수의 값이 선택한 트리거 레벨 미만으로 떨어지면 더 빠른 업데이트가 시작됩니다.
- 변경 중 - 가장 적은 변경에 대해 전체 버스트 메시지 내용이 모니터링됩니다. *어떤* 변화든 빠른 업데이트 속도를 시작합니다.

참고

변경 중 트리거 모드는 이산 데이터를 포함한 메시지에 사용됩니다. 온도 변수와 같은 시스템 노이즈 또는 해상도 제한의 결과로 디서되는 부동 소수점 데이터가 포함된 메시지에 사용해서는 안 됩니다.

트리거 변수는 선택된 메시지 내용에 따라 달라집니다. 선택된 장치 변수가 일반적인 버스트 메시지 내용이면 상세 메시지 내용의 슬롯 0에 할당하는 변수는 트리거 상태에 대해 모니터링한 변수입니다. 대부분의 경우 할당된 트리거 변수는 프로세스 관련 변수 중 하나입니다(예: 3개의 스위치 상태 신호 중 하나). 일반 메시지 내용의 다른 구성에서 트리거 변수는 사전에 정의되며 구성 데이터를 보는 것으로 정해질 수 있습니다.

센서 샘플 속도 - 임의 버스트 메시지가 트리거되면(연속 모드에 있지 않으면) 모든 데이터 획득에 공통 센서 샘플 속도가 사용됩니다. 배터리 전원 장치의 경우 0.5초와 트리거된 업데이트 속도 사이의 값을 0.5초의 증분으로 선택합니다.

일반적으로 장치는 각각의 예정된 퍼블리싱 이벤트 준비에서 버스트 메시지에 대한 데이터를 샘플링하기 위해 깨어납니다. 일부 어플리케이션에서 업데이트 간격 사이에 발생하는 이행을 놓칠 수 있습니다. 지연된 트리거링은 모니터링에 대한 더 빠른 샘플 속도를 정의해 이러한 일의 발생 가능성을 줄입니다. 샘플 속도는 퍼블리싱된 속도보다 빨라야 합니다. 지연된 트리거링 메커니즘에 의해 트리거 상태가 감지되면 시간 스탬프 및 데이터가 즉시 캡처됩니다. 메시지 퍼블리싱은 다음으로 이용 가능한 퍼블리싱 슬롯에 대해 예정되어 있습니다. 예를 들어, 기본 업데이트 속도가 1분, 빠른 업데이트 속도가 8초로 설정되어 있는 경우, 1/2 두 번째 샘플 속도로 지연된 트리거링을 활성화하면 트리거 이벤트를 거의 발생하자마자 감지할 수 있습니다. 지연된 트리거링이 없으면 8초 간격 *중* 일어나는 순간 사건은 감지되지 못합니다.

● 장치

식별

태그 - 기기의 HART 태그를 입력합니다(최대 8자). HART 태그는 복합 기기 환경에서 기기 사이를 식별하는 가장 손쉬운 방법입니다. HART 태그를 사용하여 응용 분야의 요건에 따라 기기에 전자 라벨을 부착합니다. 작동 시작 시 필드 커뮤니케이터가 4310과 접촉하면 할당된 태그가 자동으로 표시됩니다.

롱 태그 - HART 롱 태그 정보를 입력합니다(최대 32자).

날짜 - 구성, 위임, 또는 유지 관리 이력과 관련된 날짜(mm/dd/yyyy)를 입력합니다.

설명 - 어플리케이션에 대한 서술자를 최대 16자로 입력합니다. 설명자는 사용자 정의된 더 긴 전자 라벨을 제공하여 HART 태그로 이용할 수 있는 것보다 더 명확한 기기 식별이 가능합니다.

메시지 - 최대 32자까지 메시지를 입력합니다. 메시지는 복합 기기 환경에서 개별 기기를 식별하기 위한 가장 고유한 사용자 정의 수단을 제공합니다.

폴링 주소 - 호스트에서 사용하여 유선 유지 관리 포트 상의 필드 장치를 식별합니다(유효한 범위는 0~63). 무선 네트워크에는 중요성이 없으며 유지 관리 포트에서만 편집할 수 있습니다.

구조

스냅 작동 제어 - 활성화되면 포지션 피드백에서 또는 모니터링 대상 포지션에서 제어 밸브 동작이 유도됩니다. 제어 대상 밸브는 장치가 모니터링하는 포지션과는 별개입니다. (제어 대상 장비에 대한 피드백 신호는 없습니다.) 센서 모니터링 스위치의 상태에 따라 제어 대상 장비에 대한 명령이 생성됩니다.

직동식 스냅 - 입력부에 높음 또는 열림 트립이 발생하면 제어 대상 밸브가 열립니다. 입력부에 낮음 또는 닫힘 트립이 발생하면 제어 대상 밸브가 닫힙니다.

역동식 스냅 - 높음 또는 열림 트립이 발생하면 제어 대상 밸브가 닫힙니다. 낮음 또는 닫힘 트립이 발생하면 제어 대상 밸브가 열립니다.

이 동작을 추가적으로 개선하려면 스위치 임계치와 데드밴드를 조정합니다. 장치가 컨트롤러이고 스냅 작동 모드에 있지 않을 경우 프로세스 상태를 보고하지 않거나 래칭 스위치 모드를 사용하지 못할 수 있습니다.

스냅 작동 모드를 비활성화하면 장치는 정상 피드백 제어 모드에 있습니다.

참고

*스냅 작동 제어*는 커짐/꺼짐 제어 옵션이 장착된 유닛에서만 지원됩니다.

래칭 모드 - 이 모드를 활성화할 경우, 지정된 스위치 상태(열림/높음 또는 닫힘/낮음)로 변경되면 래칭 모드를 수동으로 재설정할 때까지 그 상태에 래칭됩니다(잠깁니다). 스냅 작동 모드에서는 래칭 모드가 비활성화됩니다.

참고

*래칭 모드*는 모니터링 및 스냅 작동 제어 어플리케이션에만 사용할 수 있습니다. 정상 피드백 제어 모드에서는 이 모드가 비활성화됩니다.

애플리케이션 모드 - 센서 보고 모드(프로세스 피드백 또는 밸브 트래블)를 나타냅니다. 컨트롤러 옵션이 설치된 장치는 스냅 작동 모드에 있지 않을 때에는 반드시 밸브 트래블을 보고해야 합니다.

구조 구성 - 제어 모드를 스냅 작동 모드로 할 것인지, 트립 시 스위치 상태를 래치할 것인지, 밸브 또는 프로세스 보고를 위해 포지션 변수에 라벨을 붙일지 여부를 선택합니다.

작동 옵션

밸브 재시도 활성화됨 - 이를 활성화하면, 밸브 드리프트 모니터를 트립하기 전에 장치가 자동으로 제어 대상 장비를 설정점으로 되돌리려는 시도를 3회 수행합니다. (켜짐/꺼짐 제어만 해당)

드웰 트래킹 - 이를 활성화하면, 포지션 변동이 감지될 경우 내부 포지션 샘플링 속도를 초당 약 11 샘플로 높여서 모니터 장치에서 드웰 시간 측정을 위해 향상된 해상도를 제공합니다. (모니터링에만 해당)

포지션 변경이 트래킹 디바운스 카운트의 1% 미만으로 유지되면 빠른 샘플링이 종료됩니다. 하드웨어 트리거링도 활성화되어 있으면 향상된 드웰 트래킹이 가장 잘 작동합니다.

드웰 트래킹이 작동 옵션으로 나타나면 그 아래에 추가 메뉴 항목이 표시됩니다.

트래킹 디바운스 카운트 - 향상된 드웰 시간 측정을 위해 빠른 샘플링을 종료하기 전에 포지션 변경이 스패의 1% 미만이 되는 동안의 샘플 수.

참고

작동 옵션은 장치가 스냅 작동 모드에 있을 때에는 이용할 수 없습니다.

이산 변수 속성

스위치 상태 속성 및 설정점 속성 - 유형, 등급 및 연결 정보를 포함합니다.

참고

설정점 속성은 커짐/꺼짐 제어 옵션이 장착된 유닛에서만 지원됩니다.

● **리미트 스위치 구성**

스위치 상태/래칭 스위치 - 모니터링된 기기(밸브 등)의 위치를 이산값 즉 열림, 닫힘, 부분 열림, 낮음, 중간, 높음 또는 알 수 없음으로 나타냅니다(참조를 위해 표시).

열림/높음 트립 포인트 및 닫힘/낮음 트립 포인트 - 모니터링된 상태가 트립된 것으로 선언하는 시점을 결정하는 사용자 정의 임계치.

데드밴드 - 트립된 상태가 재설정되기 전에 일어나야 하는 임계치 내 리턴 이동의 양. 유효값은 0~20%입니다. 기본값은 5%입니다.

매개변수 편집 - 절차상의 제어 하에 리미트 스위치에 대해 트립 포인트와 데드밴드를 설정하여 불확정 스위치 상태로 이어질 수 있는 선택 사항을 방지합니다.

- **매핑** - 동적 변수 배열 구성을 허용합니다. *Set to Defaults*(기본으로 설정)를 선택하여 기본값을 재설정합니다.

경고 정보 - HART 명령 3을 사용하여 제어 시스템이 장치를 폴링하는 경우, 동적 변수 + 전류를 버스트 메시지 중 하나의 내용으로 구성하거나 아니면 루프 전류 및 동적 변수에 매핑한 장치 변수가 퍼블리싱되는 데이터에 포함되어야 합니다. 지연 응답 메커니즘은 퍼블리싱되지 않는 변수를 획득할 때 사용되고, 호스트는 이를 통신 실패로 해석할 수 있습니다.

● **고장 동작(켜짐/꺼짐 제어)**

공압 출력을 구성된 고장 상태로 만들려고 시도하는 고장 상태를 입력하도록 장치를 구성할 수 있습니다.

참고

고장 조건을 활성화하여 활성 상태에 있으면(즉 고장 상태에 있으면), 장치가 호스트의 설정점에 따라 작동하지 않습니다. 장치는 구성 중에 정의된 설정점을 사용하여 밸브를 제어합니다.

모든 고장 조건은 기본적으로 비활성화됩니다.

활성 고장 조건(참조)

고장 조건 활성화

아래 고장 조건을 활성화하려면 켜짐(On)을 선택합니다.

- **시동** - 장치의 전원을 켜거나 재설정하면 항상 고장 상태가 됩니다. 그러면 시동 시에 출력이 강제로 지정 상태가 됩니다. 자동 복구 모드에서는 제어 호스트에서 새로운 이산 설정점이 수신되면 이 고장 상태가 자동으로 해제됩니다.
- **이동 실패** - 밸브가 밸브 타임아웃이 경과되기 전에 설정점으로 이동하지 못하면 고장 상태가 됩니다. (스냅 작동 모드에서는 나타나지 않음).
- **온도 범위 벗어남** - 온도가 작동 범위를 벗어나는 경우 고장 상태가 됩니다.
- **센서 보드 실패** - 장치와 센서 보드 간에 통신이 끊기면 고장 상태가 됩니다.
- **전압 낮음** - 공급 전압이 심하게 낮은 수준에 도달하면 고장 상태가 됩니다.
- **네트워크 끊김** - 네트워크 연결이 끊기면 고장 상태가 됩니다.

고장 동작 상세내용

- **고장 모드** - 고장 모드 선택: 비활성화됨, 특정 상태의 고장 또는 마지막 값 유지. 기본값은 비활성화됩니다.
- **고장 강등 시간** - 고장 동작이 개시되기까지 조건이 유지되는 시간의 양을 설정합니다.
- **고장 상태** - 고장 발생 시 장치에 대한 명령이 발부되는 고장 상태를 선택합니다. 고장 상태가 특정 상태인 경우 고장 상태 값은 무시됩니다.
- **복구 모드** - 자동 또는 인식을 선택합니다. 자동을 선택할 경우 고장 조건이 해제되면 장치가 정상 작동으로 돌아갑니다. 인식을 선택할 경우 해제 후에 고장을 수동으로 인식해야만 장치가 서비스 상태로 돌아갑니다.

모드 - 서비스 실행 중, 서비스 중단, 고장 상태. 이는 장치가 고장 상태에 있을 때 문제해결을 위해 또는 장치를 서비스 중단 상태로 하고 다시 서비스 상태로 되돌릴 때 사용됩니다.

● 로컬 사용자 인터페이스

검교정 잠금, 오버라이드 잠금, 모드 변경 잠금, LUI 언어를 편집하거나 조회할 수 있습니다.

참고

모니터링 옵션에서는 오버라이드 잠금과 모드 변경 잠금은 보이지 않습니다.

● 전력 모듈

전력 모듈 유형, 전압, 전력 모듈 날짜, 배터리 수명, 모듈 데이터 재설정을 편집하거나 볼 수 있습니다.

참고

전력 모듈 메뉴는 배터리 구동 장치에만 이용할 수 있습니다. 전력 모듈은 외부 전력 옵션이 설치되어 있는 경우에는 표시되지 않습니다.

교체 전력 모듈이 필요할 경우에는 [Emerson Process Management 영업소](#)에 문의하십시오. 다른 장치의 전력 모듈을 다시 사용하지 마십시오.

경보 설정

경보 설정을 통해 어떤 사용자 구성 진단 모니터가 호스트에 대한 경보로서 다양한 장치 상황을 보고할지 선택할 수 있습니다. 관련 경보의 현재 상태는 참조를 위해 표시됩니다. 메뉴 구조는 장치 구조와 설치된 옵션에 따라 달라집니다. 특정 시스템 상태에서 실제로 이용할 수 있는 장치 모니터만 편집하도록 제시됩니다. 사이클 카운터, 스위치 상태 경보, 스위치 응답 경보 및 컨트롤러 경보를 보거나 편집하려면 필드 커뮤니케이터의 프롬프트를 따릅니다.

● 사이클 카운터

사이클 카운트 경보 - 사이클 카운트 경보의 현재 상태를 나타냅니다. 누적 주기가 트립 포인트를 초과할 경우 경보가 True(참)로 설정됩니다.

누적 카운트 - 누적 사이클의 수를 나타냅니다.

누적 카운터 재설정 - Yes(예)를 선택하여 누적 카운트를 0으로 다시 설정합니다. 이는 일반적으로 밸브 및/또는 액추에이터에 대한 유지 관리가 수행되었을 때 행해집니다. No(아니오)를 선택하여 현재 사이클 카운트를 유지합니다.

사이클 카운트 경보 활성화

사이클 트립 포인트 - 트립 포인트 조정에 사용합니다.

● 스위치 상태 경보 - 출력을 상태 경보로 보고할 스위치 상태 모니터를 선택합니다.

스위치 래칭됨 - 스위치 상태 변수에 대한 옵션 래치의 상태.

열림/높음 한계 트립됨 - 입력 신호가 열림 또는 높은 한계에 대한 사용자 지정 요구사항을 충족함을 나타냅니다.

닫힘/낮음 한계 트립됨 - 입력 신호가 닫힘 또는 낮은 한계에 대한 사용자 지정 요구사항을 충족함을 나타냅니다.

래칭됨 경보 활성화 - 스위치가 래칭 상태임을 알리는 경보 보고를 활성화합니다. 래칭 모드가 활성화되면 이 경보를 반드시 활성화해야 합니다.

열림/높음 경보 활성화 - 밸브가 열려 있거나 PV가 높은 트립 포인트 위에 있음을 보고하는 경보를 활성화합니다.

닫힘/낮음 경보 활성화 - 밸브가 닫혀 있거나 PV가 낮은 트립 포인트 아래에 있음을 보고하는 경보를 활성화합니다.

● 스위치 응답 경보

참고

스냅 작동 모드에서는 스위치 응답 경보가 지원되지 않습니다.

전이 경보 - 활성화되면 프로세스 상태가 (한계 사이에서) 전이되고 있음을 나타냅니다.

전이 드웰 경보 - 활성화되면 입력 신호가 지정된 시간 구간보다 더 오래 전이 상태에 있었음을 나타냅니다.

전이 드웰 - 현재 상태의 시간 길이를 나타냅니다.

전이 중 활성화 - 포지션 신호가 트립 포인트 사이에 있음을 알리는 경보 보고를 활성화합니다.

전이 드웰 활성화 - 출력 시 트립 포인트 사이에서 과도한 시간을 보냈음을 알리는 경보 보고를 활성화합니다.

전이 드웰 임계치 - 전이 드웰 경보가 설정되기 전까지 모니터링되는 신호가 전이 상태에 있어야 하는 시간의 길이를 나타냅니다.

● 컨트롤러 경보(켜짐/꺼짐 제어)

참고

컨트롤러 경보는 기본으로 표시됩니다.

모드 경보

장치 서비스 중단 - 설정점이 프로세스에 적용되지 않고 있음을 나타냅니다.

출력 고장 상태 - 제어 출력이 구성된 고장 상태가 되도록 구동되었음을 나타냅니다.

‘서비스 중단’ 활성화

‘고장 상태’ 경보 활성화

트래킹 경보

참고

트래킹 경보는 스냅 작동 모드에서 이용할 수 없습니다.

밸브 이동 실패 - 제어 대상 장비의 포지션 피드백이 설정점 명령에 응답하지 않았음을 나타냅니다.

밸브 드리프트 - 밸브가 설정점에서 벗어났음을 나타냅니다.

'이동 실패' 경보 활성화

밸브 타임아웃 - 밸브 이동 실패를 선언하기 이전까지 설정점을 달성하도록 할당되는 시간을 정의합니다.

밸브 드리프트 활성화

닫기 시간 경보

참고

*닫기 시간 경보*는 스냅 작동 모드에서 이용할 수 없습니다.

닫기 스트로크 시간 경보 - 최근 닫기 작동이 구성에서 허용된 시간 한계 밖으로 벗어났음을 나타냅니다.

닫기 스트로크(Cal) - 자동 검교정 중에 닫기 스트로크를 완료하는 데 필요한 시간을 나타냅니다.

마지막 닫기 스트로크 - 마지막에 열림에서 닫힘 포지션으로 전환하는 스트로크를 완료하는 데 필요한 시간을 나타냅니다.

닫기 스트로크 활성화

높은 트립 포인트

낮은 트립 포인트

열기 시간 경보

참고

*열기 시간 경보*는 스냅 작동 모드에서 이용할 수 없습니다.

열기 스트로크 시간 경보 - 마지막 열기 스트로크 시간이 구성에서 허용된 시간 한계 밖으로 벗어났음을 나타냅니다.

열기 스트로크(Cal) - 자동 검교정 중에 열기 스트로크를 완료하는 데 필요한 시간을 나타냅니다.

마지막 열기 스트로크 - 마지막에 닫힘에서 열림 포지션으로 전환하는 스트로크를 완료하는 데 필요한 시간을 나타냅니다.

열기 스트로크 활성화

높은 트립 포인트

낮은 트립 포인트

검교정

⚠ 경고

검교정하는 동안에는 밸브가 완전 스트로크로 움직입니다. 압력 또는 프로세스 유체의 배출에 의한 상해 및 자산 손실을 방지하려면 밸브를 프로세스에서 격리하고 밸브 양쪽의 압력을 균등하게 조정하거나 프로세스 유체를 배출하십시오.

참고

기기가 스냅 작동 모드에 있을 때에는 밸브 설정점을 변경(즉, 열기에서 닫힘으로)할 수 없습니다. 이는 모니터링 대상 장비의 포지션 신호가 다른 밸브의 상태 변경에 사용되기 때문입니다. 3페이지의 그림 3을 참조하십시오. 스냅 작동 모드에서는 출력의 수동 검교정이 필요합니다.

검교정일 - 기기를 마지막으로 검교정한 날짜입니다.

참고

검교정되지 않은 경보는 활성 상태인 경우 *검교정 일자*를 대체합니다.

센서 검교정 - 이를 통해 기기에서 검교정을 실행할 수 있습니다. 필드 커뮤니케이터의 프롬프트를 따라 자동 또는 수동 검교정을 실행합니다.

참고

자동 검교정 중에 각 방향에 대하여 밸브 이동에 5분 이상이 소요되면 수동 검교정을 수행해야 합니다. 일반적 자동 검교정 시에는 열림 > 닫힘 > 열림 > 닫힘으로 이동하고, 최대 20분이 걸릴 수 있습니다.

출력 할당 - 스트로크 중에 동작을 관찰하여 출력 포트를 스트로크 방향과 연결할 수 있습니다. 이 절차는 센서에 수동 검교정이 사용되었을 경우 컨트롤러 검교정 프로세스를 완료하는 데 사용되며 스냅 작동 모드에서 출력 센스를 할당하는 유일한 방법입니다.

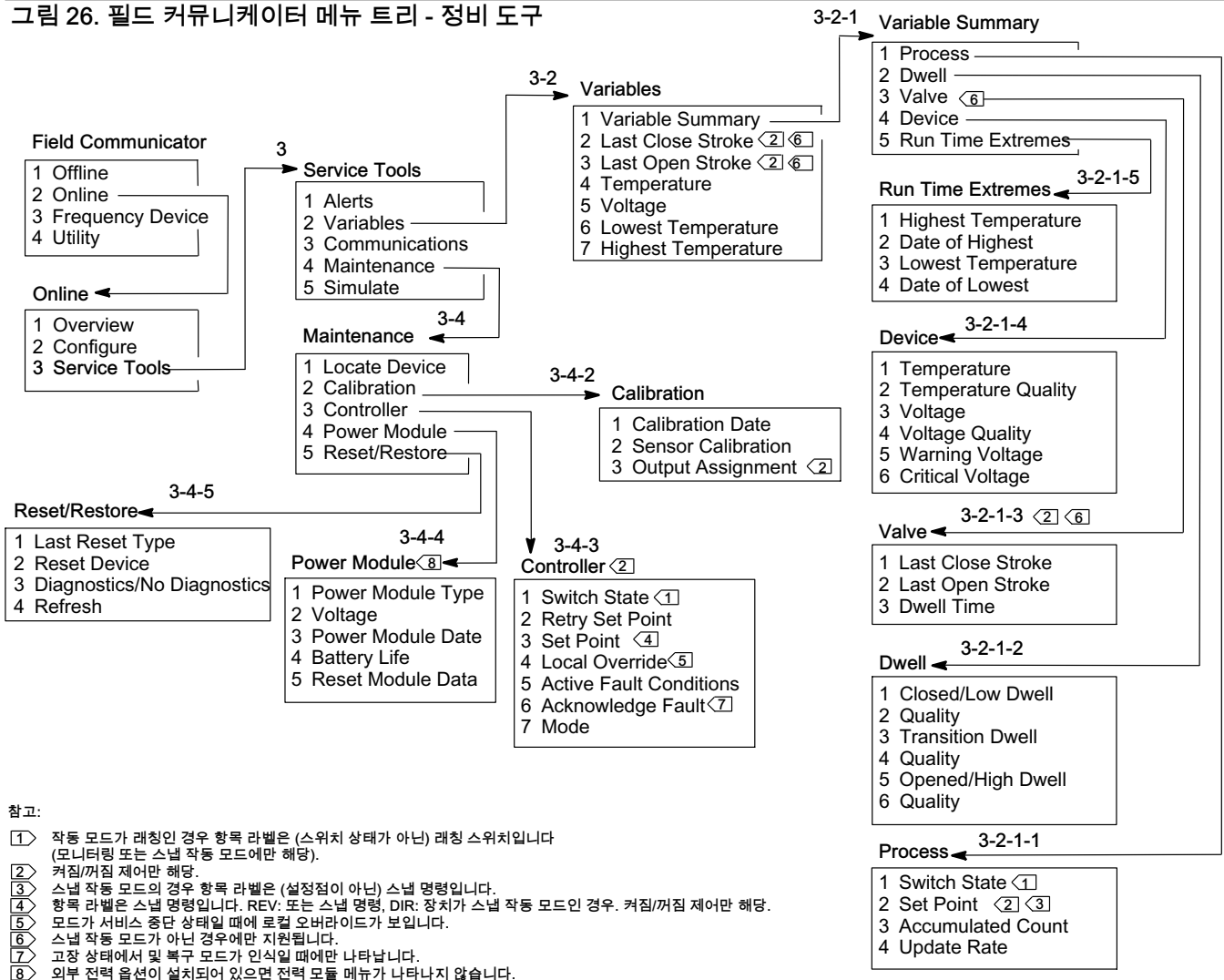
참고

*출력 할당*은 커짐/꺼짐 제어 옵션이 장착된 유닛에서만 지원됩니다.

정비 도구

정비 도구 메뉴 트리에 대해서는 그림 26을 참조하십시오.

그림 26. 필드 커뮤니케이터 메뉴 트리 - 정비 도구



경보

활성 경보를 나타내고 다음 사항을 표시합니다. 플랜트 웹 경보 범주, 설명, 권장 조치, 해당 변수 값, 이미지 또는 경보 상태 해결에 도움이 되는 절차.

변수

변수 요약을 선택하여 장치에 포함된 프로세스, 드웰, 밸브, 장치, 실행 시간 극단 변수를 검토할 수 있습니다. 마지막 닫기 스트로크, 마지막 열기 스트로크, 온도, 전압, 최저 온도, 최고 온도를 선택하여 변수의 게이지 스타일 표시를 볼 수 있습니다.

● 변수 요약

프로세스

스위치 상태 - 모니터링된 기기(밸브 등)의 위치를 이산값으로 나타냅니다.

설정점 - 제어 대상 변수의 목표 값을 나타냅니다.

참고

장치가 스냅 작동 모드에 있을 경우 이 메뉴 항목(*설정점*)은 *스냅 명령*입니다.

포지션, 스위치 또는 *설정점*을 열어서 항목의 전반적 프로세스 데이터 품질을 볼 수 있습니다. 값은 Good(좋음), Degraded(저하됨), Bad(나쁨) 및 Manual/Fixed(수동/고정)입니다.

누적 카운트 - 카운터가 0으로 마지막으로 재설정된 후 누적된 사이클 수.

업데이트 속도 - 프로세스 메뉴에 표시되는 각 변수의 유효 업데이트 속도를 나타냅니다.

드웰

닫힘/낮음 드웰 - 스위치 상태가 최근에 닫힘/낮음 영역을 입력한 이후 경과된 시간(상태가 그 영역을 벗어나면 동결됨).

전이 드웰 - 스위치 상태가 전이 영역을 입력한 이후 경과된 시간(상태가 그 영역을 벗어나면 동결됨).

열림/높음 드웰 - 스위치 상태가 열림/높음 영역을 입력한 이후 경과된 시간(상태가 그 영역을 벗어나면 동결됨).

닫힘/낮음 드웰, 전이 드웰, 열림/높음 드웰 아래의 품질 변수들은 항목의 전반적인 프로세스 데이터 품질을 나타냅니다. 값은 Good(좋음), Degraded(저하됨), Bad(나쁨) 및 Manual/Fixed(수동/고정)입니다.

밸브(켜짐/꺼짐 제어)

참고

밸브 변수는 스냅 작동 모드에 있지 않을 때에만 이용할 수 있습니다.

마지막 닫기 스트로크 - 마지막에 열림에서 닫힘으로 전환하는 스트로크를 완료하는 데 필요한 시간입니다.

마지막 열기 스트로크 - 마지막에 닫힘에서 열림으로 전환하는 스트로크를 완료하는 데 필요한 시간입니다.

*마지막 닫기 스트로크*와 *마지막 열기 스트로크* 아래의 품질 변수들은 항목의 전반적인 프로세스 데이터 품질을 나타냅니다. 값은 Good(좋음), Degraded(저하됨), Bad(나쁨) 및 Manual/Fixed(수동/고정)입니다.

드웰 시간 - 스위치 상태 변수가 현재 상태에서 보낸 시간 길이를 나타냅니다.

장치

온도 - 전자 장치의 온도를 나타냅니다.

전압 - 전력 모듈 전압을 나타냅니다.

*온도*와 *전압* 아래의 품질 변수들은 항목의 전반적인 프로세스 데이터 품질을 나타냅니다. 값은 Good(좋음), Degraded(저하됨), Bad(나쁨) 및 Manual/Fixed(수동/고정)입니다.

참고

전력 모듈 경고는 일반적으로 표준 및 연장 수명 전력 모듈에만 적용됩니다.

외부 전력 공급 4310은 전력 공급원의 전압에서가 아니라 외부 전력 어셈블리의 출력에서 공급 전압 레벨을 제공합니다.

경고 전압 - 전력 모듈 저전압 경고에 대한 임계치.

임계 전압 - 전력 모듈 임계 전압 경고에 대한 임계치. 장치 구성 변경은 이 전압 하에서 금지됩니다.

실행 시간 극단 - *최고 온도*, *최고치 일자*, *최저 온도*, *최저치 일자*를 포함합니다.

마지막 닫기 스트로크, 마지막 열기 스트로크, 온도, 전압, 최저 온도, 최고 온도를 선택하여 동적 게이지 표시를 볼 수 있습니다.

참고

마지막 닫기 스트로크와 마지막 열기 스트로크 게이지는 켜짐/꺼짐 제어 옵션에서만 표시되고 스냅 작동 모드에서는 표시되지 않습니다.

통신

네트워크 및 버스트 정보가 담겨 있습니다. 필드 커뮤니케이터의 프롬프트에 따라 *네트워크*, *버스트 메시지 검토*, *하드웨어 트리거링*, *이벤트 구성 검토*에 액세스합니다.

네트워크

무선 모드 - 전류 모드를 Idle(유휴), Disconnected(차단됨), Searching(검색중), Connected(연결됨) 또는 Operational(작동중)로 표시합니다.

결합 모드 - *WirelessHART* 네트워크에 결합하는 것과 관련해 장치에 지침을 제공합니다.

고급 - 통신에 관한 기술 정보, 즉 무선 네트워크에서 기기가 인식하는 이웃의 수, 수신한 광고 패킷의 수, 결합 시도 횟수 등이 포함됩니다. 이 메뉴는 송신 출력 설정과 전력 변경 절차도 표시하며 이를 통해 장치 무선 모듈의 실패 복사 전력을 조절합니다.

참고

결합 시도를 너무 많이 할 경우 장치는 결합이 실패한 것으로 간주하며, 네트워크 구성을 검토하는 것이 필요합니다.

참고

고급 네트워크 진단은 AMS 무선 구성기 또는 AMS 장치 관리자에서 유지 관리 포트를 통해 장치와 소통할 때에만 이용할 수 있습니다.

네트워크 재결합 - 기존 자격 증명으로 네트워크에 다시 연결합니다.

연결 해제 - 네트워크 연결을 끊습니다. 이는 네트워크 작동을 방해하는 서비스 절차를 수행하거나 재위탁하는 경우에만 수행해야 합니다.

버스트 메시지 검토

버스트는 각 버스트 메시지에 대한 진단을 표시합니다.

대역폭 상태 메시지는 다음 사항을 나타냅니다.

- 장치에서 주어진 메시지가 활성화되어 있는지 여부
- 요청된 업데이트 속도에 대해 네트워크로부터 계속 대역폭 할당을 기다리고 있는지 여부
- 대역폭을 할당받았으나 요청한 것보다 느린 속도인지 여부
- 활동적으로 퍼블리싱하고 있는지 여부
- 지원된 퍼블리싱 모드에 있는지(지원된 트리거 메커니즘을 사용하고 있는지) 여부

구성된 메시지 내용, 트리거 모드 및 활성 업데이트 속도가 다음에 표시됩니다.

메시지가 활성화될 경우에는 현재 장치 상태에 따라 메시지에 퍼블리싱된 값에 대한 스냅샷을 볼 수 있습니다.

하드웨어 트리거링

펌웨어가 수면 상태에 있을 때 포지션 센서 입력 변경을 점검하여 변경이 발생하면 깨우기 콜을 발생시키는 장치 하드웨어 회로에 관한 상세 정보. 민감성 추정치와 최근에 카운터를 지운 후에 회로가 트립되었던 횟수 카운트가 제공되며, 이는 트리거링 응답, 배터리 수명, 무선 네트워크의 트래픽 간에 균형을 유지하도록 지원하기 위해 사용할 수 있습니다.

감지 카운트 - 최근 재설정 이후에 하드웨어 포지션 변경 인터럽트가 트립되었던 횟수를 나타냅니다.

변경 감지 카운트 지우기 - 변경 감지 트립 카운트를 0으로 재설정합니다.

민감성 - 활성 민감성, 낮은 온도, 실온, 높은 온도.

변경 감지 - 센서에서 측정 가능한 변경이 발생할 때 장치를 깨우는 하드웨어 변경 감지 회로를 활성화/비활성화합니다.

이벤트 검토 - *로그된 이벤트*, *대역폭 상태*, *재시도 속도*, *할당된 재시도 속도*, *이벤트 상태*가 포함됩니다.

유지 관리

필드 커뮤니케이터의 프롬프트에 따라 *장치 찾기*, *검교정*, *컨트롤러*, *전력 모듈*, *재설정/복원*에 액세스합니다.

- **장치 찾기** - 장치 찾기를 선택하면 장치가 에머슨 로고를 표시하도록 명령하여 기술자가 이 위치를 파악할 수 있도록 도와줍니다. 약 5분마다 반복 횟수를 지정하십시오.

참고

장치 찾기는 사용 가능한 디스플레이에 대해 온도가 너무 낮을 경우 또는 LUI가 로컬 기능을 위해 현재 사용 중일 경우에는 이용할 수 없습니다.

- 검교정 - 이동 또는 회전 끝점을 설정하는 데 사용합니다.

⚠ 경고

검교정하는 동안에는 밸브가 완전 스트로크로 움직입니다. 압력 또는 프로세스 유체의 배출에 의한 상해 및 자산 손실을 방지하려면 밸브를 프로세스에서 격리하고 밸브 양쪽의 압력을 균등하게 조정하거나 프로세스 유체를 배출하십시오.

참고

기기가 스냅 작동 모드에 있을 때에는 밸브 설정점을 변경(즉, 열기에서 닫힘으로)할 수 없습니다. 이는 모니터링 대상 장비의 포지션 신호가 다른 밸브의 상태 변경에 사용되기 때문입니다. 3페이지의 그림 3을 참조하십시오. 스냅 작동 모드에서는 출력의 수동 검교정이 필요합니다.

검교정일 - 기기를 마지막으로 검교정한 날짜입니다.

센서 검교정 - 이를 통해 기기에서 검교정을 실행할 수 있습니다. 필드 커뮤니케이터의 프롬프트를 따라 자동 또는 수동 검교정을 실행합니다.

참고

자동 검교정 중에 각 방향에 대하여 밸브 이동에 5분 이상이 소요되면 수동 검교정을 수행해야 합니다. 일반적 자동 검교정 시에는 열림 > 닫힘 > 열림 > 닫힘으로 이동하고, 최대 20분이 걸릴 수 있습니다.

출력 할당 - 스트로크 중에 동작을 관찰하여 출력 포트를 스트로크 방향과 연결할 수 있습니다. 이 절차는 센서에 수동 검교정이 사용되었을 경우 컨트롤러 검교정 프로세스를 완료하는 데 사용되며 스냅 작동 모드에서 출력 센스를 할당하는 유일한 방법입니다.

참고

출력 할당은 커짐/꺼짐 제어 옵션이 장착된 유닛에서만 지원됩니다.

- 컨트롤러(커짐/꺼짐 제어)

필드 커뮤니케이터의 프롬프트에 따라 아래 항목을 보거나 편집합니다.

스위치 상태 - 모니터링된 기기(밸브 등)의 위치를 이산값으로 나타냅니다.

재시도 설정점 - 이 절차는 이동 실패를 해제하도록 지원하기 위해 밸브를 설정점으로 이동하는 시도를 합니다.

설정점 - 제어 대상 변수의 목표 값을 나타냅니다.

참고

장치가 스냅 작동 모드에 있을 경우 이 메뉴 항목(**설정점**)은 **스냅 명령**입니다.

로컬 오버라이드(서비스 중단 모드에서만 이용 가능) - 유지 관리 목적으로 구성 인터페이스에서 장치 출력 상태에 대한 명령을 내리도록 합니다. 제어 호스트에서 수신되는 설정점은 메모리에 유지되고 장치의 서비스가 재개될 때 복원됩니다.

활성 고장 조건 - 어떤 고장 조건이 고장 상태를 개시하였는지 표시합니다.

고장 상태 인식 - 모든 활성 고장 조건을 시정한 후에 고장 상태를 해제하기 위해 사용됩니다.

참고

*고장 상태 인식*은 고장 상태에서 및 복구 모드가 '인식'일 때에만 표시됩니다.

모드 - 장치 제어 모드 즉 서비스 실행 중, 서비스 중단, 고장 상태를 표시합니다. 모드를 변경하거나 고장 상태에 대한 문제해결을 위해서 엽니다.

- **전력 모듈**

참고

전력 모듈 메뉴는 배터리 구동 장치에만 이용할 수 있습니다. 전력 모듈은 외부 전력 옵션이 설치되어 있는 경우에는 표시되지 않습니다.

필드 커뮤니케이터의 프롬프트에 따라 아래 항목을 볼 수 있습니다.

전력 모듈 유형, 전압,

전력 모듈 날짜 - 전력 모듈 변수가 다시 설정된 날짜. 이는 전력 모듈 설치일과 일치합니다.

배터리 수명 - 현재 충전 상태 및 전력 사용에 따라 남아 있는 작동일 수 추산치.

모듈 데이터 재설정

- **재설정/복원**

마지막 재설정 유형 - 가장 최근의 장치 재설정 이유를 나타내며, 문제 해결을 위해 사용됩니다.

장치 재설정 - 전원을 껐다 켜는 것과 같은 의미로서 장치를 무선 네트워크 연결에서 끊으며, 이는 패킷을 통과시키는 모든 이웃 장치에 대한 통신에 영향을 줍니다. 서비스 요원의 지시가 있는 경우에만 사용하는 것이 바람직합니다.

진단 진단 없음 - 서비스 요원이 문제 해결을 위해 사용합니다.

새로 고침 - 진단 및 마지막 재설정 유형의 현재 값을 얻기 위해 선택합니다.

액세스 기능

트립 포인트 및 데드밴드

4310의 공장 기본 설정은 열린 트립 포인트의 경우 10%, 닫힌 트립 포인트의 경우 90%입니다. 데드밴드는 5%에서 설정됩니다.

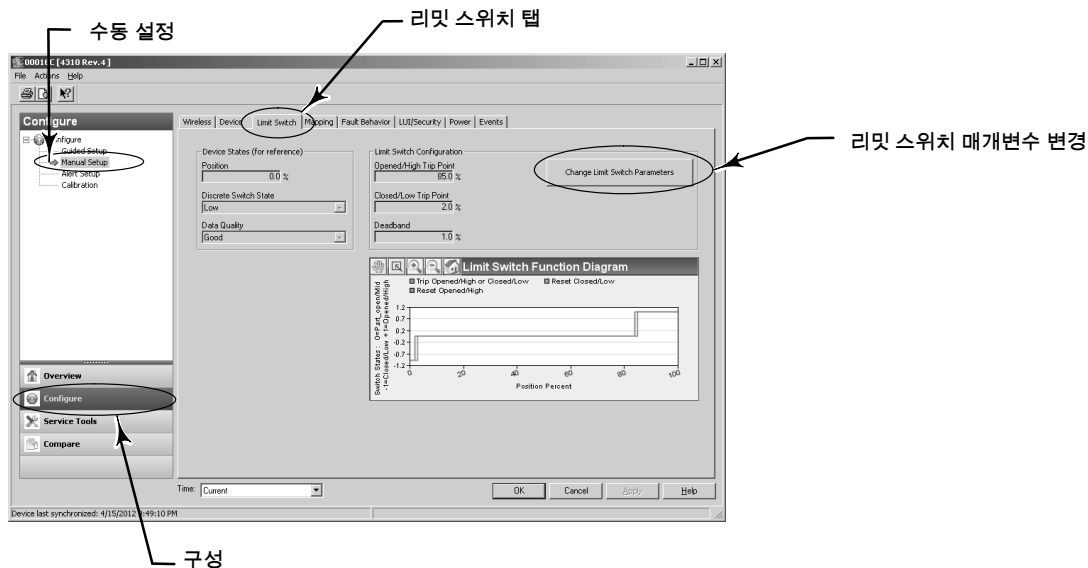
필드 커뮤니케이터

Online, *Configure*, *Manual Setup*(온라인, 구성, 수동 설정)을 선택한 다음 *Limit Switch Configuration*(리미트 스위치 구성)을 선택하여 트립 포인트 설정을 확인하거나 변경합니다. 그림 25에 나타난 구성 메뉴 트리를 참조하십시오.

AMS 무선 구성기 또는 AMS 장치 관리자

Configure(구성), *Manual Setup*(수동 설정)으로 이동한 다음 *Limit Switch*(리미트 스위치) 탭에서 *Change Limit Switch Parameters*(리미트 스위치 매개변수 변경)을 선택하여 트립 포인트 설정을 변경합니다. 그림 27을 참조하십시오.

그림 27. AMS 무선 구성기 및 AMS 장치 관리자에서 트립 포인트 설정



진단 기능

4310에는 필드 커뮤니케이터, AMS 무선 구성기 또는 AMS 장치 관리자를 사용하여 액세스할 수 있는 아래의 진단 항목이 포함되어 있습니다.

- 사이클 카운터는 공장에서 출하될 때 높은 값을 지닙니다. 이 경보는 구동 사이클의 수에 기반한 서비스 권장 사항을 갖는 밸브에 사용됩니다. *누적 카운트 재설정*은 누적 카운트 값을 지울 때 사용됩니다. 이는 일반적으로 밸브 및/또는 액추에이터에 대한 유지 관리가 수행되었을 때 행해집니다. 사이클 카운터에 관한 자세한 내용은 43페이지를 참조하십시오.

필드 커뮤니케이터 메뉴 트리는 그림 25와 26을 참조하십시오.

AMS 무선 구성기 또는 AMS 장치 관리자에서 *Configure*(구성), *Alert Set-up*(경보 설정)으로 이동합니다. Cycle Counter(사이클 카운터) 탭에서 사이클 트리프 포인트값을 입력하여 사이클 카운터를 설정합니다. 값이 노란색으로 변하면(변경되었음을 나타냄) *Apply*(적용)를 선택합니다. 그림 28을 참조하십시오.

누적 사이클 값을 삭제하려면 *Reset Accumulated Count*(누적 카운트 재설정)를 선택합니다.

- 전력 상태는 전력 모듈 전압의 상태를 나타냅니다.

필드 커뮤니케이터 메뉴 트리는 그림 25와 26을 참조하십시오.

AMS 무선 구성기 또는 AMS 장치 관리자에서 *Service Tools*, *Variables*(정비 도구, 변수)로 이동한 후 Device(장치) 탭을 선택하여 전력 모듈 전압 상태를 봅니다. 그림 29를 참조하십시오.

그림 28. AMS 무선 구성기 및 AMS 장치 관리자에서 누적 카운트 재설정

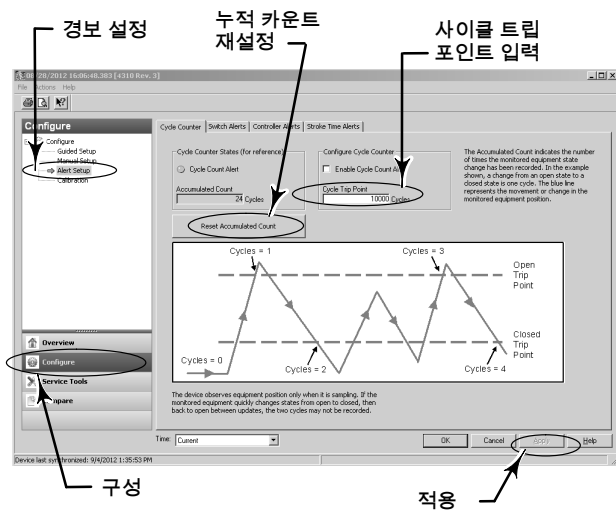
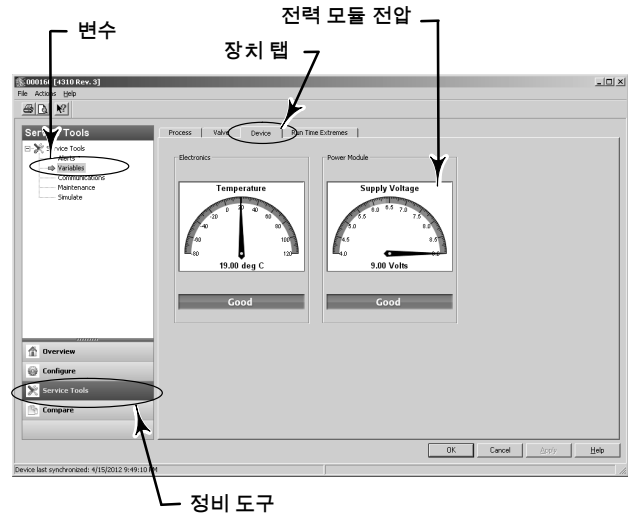


그림 29. AMS 무선 구성기 및 AMS 장치 관리자의 전력 상태



참고

4310에는 전력 모듈 전압 경고와 중대 정전 경보도 있습니다. 이는 게이트웨이 웹 인터페이스를 통해 볼 수 있습니다. *Monitor*(모니터)와 *Point Data*(포인트 데이터)를 보고 이용 가능한 HART 태그에서 장치를 선택합니다.

Modbus, OPC 또는 DeltaV로 매핑할 수 있는 두 개의 필드(참 또는 거짓)가 있습니다.

- TAG.BATTERY_WARNING_GETTING_LOW 및
- TAG.CRITICAL_POWER_FAILURE

BATTERY_WARNING_GETTING_LOW는 실온에서 약 6.5V에서 일어나며, 곧 유지 관리를 수행하거나 일정을 세워야 한다는 점을 나타내는 데 사용해야 합니다.

CRITICAL_POWER_FAILURE는 실온에서 약 6V에서 일어나며, 즉시 유지 관리를 수행하거나 일정을 세워야 한다는 점을 나타내는 데 사용해야 합니다.

4310이 있는 Modbus 또는 OPC 사용에 관한 정보는 [4310/4320 무선 포지션 모니터 OPC 시스템 통합 지침\(D103530X012\)](#) 또는 [4310/4320 무선 포지션 모니터 Modbus 시스템 통합 지침\(D103529X012\)](#)을 참조하십시오. [Emerson Process Management 영업소](#)나 www.emersonprocess.com에서 이용할 수 있습니다.

- 열기 또는 닫기 스트로크 시간은 켜짐/꺼짐 컨트롤러가 이전에 밸브를 열거나 닫을 때 걸린 시간을 나타냅니다. 스트로크 시간이 증가하면 패킹 또는 베어링 마찰의 증가, 기전력 상실 또는 트림 막힘을 암시할 수 있습니다. 스트로크 시간이 감소하면 프로세스 압력의 상실 또는 링크지 분리를 나타낼 수 있습니다.

필드 커뮤니케이터 메뉴 트리는 그림 25와 26을 참조하십시오.

AMS 무선 구성기 또는 AMS 장치 관리자에서 *Service Tools, Variables*(정비 도구, 변수)로 이동한 후 Valve(밸브) 탭을 선택하여 현재 상태에서 마지막 닫기 스트로크 시간 또는 마지막 열기 스트로크 시간 및 드웰 시간을 볼 수 있습니다. 그림 30을 참조하십시오.

- 열림/높음 또는 닫힘/낮음 드웰 시간은 스위치 상태가 열림/높음 또는 닫힘/낮음 영역으로 진입한 이후에 경과한 시간을 나타냅니다. 이 시간은 마지막으로 밸브가 이동한 시간을 결정할 때 사용할 수 있습니다.

전이 드웰은 밸브가 한계 사이에서 전이 상태에 있을 때 경과된 총 시간을 제공합니다. 이는 처음에 안전 방출 밸브 모니터링 애플리케이션이 제어 시스템 호스트로 전송되는 타임스탬프 차이를 계산할 필요가 없도록 하기 위해 구현되었습니다. 이는 밸브가 닫히지 않았던 시간을 나타냅니다. 이 기능이 정확히 보고하도록 하려면 먼저 퍼블리싱된 변수로서 전이 드웰에 매핑해야 합니다. *Configure*(구성), *Manual Setup*(수동 설정)로 이동하여 Wireless(무선) 탭을 클릭합니다. 메시지 0 보기/구성을 선택합니다(또는 어떤 메시지가 퍼블리싱되었는지 간에 *선택된 장치 변수*를 선택합니다). Modify(수정)를 클릭한 후 퍼블리싱된 변수의 하나로서 전이 드웰을 설정합니다. Accept(적용)를 클릭합니다.

드웰 트래킹 기능을 활성화하고 구체화하려면 41페이지의 작동 옵션 아래에 있는 *드웰 트래킹*과 *트래킹 디바운스*를 참조하십시오.

필드 커뮤니케이터 메뉴 트리는 그림 25와 26을 참조하십시오.

AMS 무선 구성기 또는 AMS 장치 관리자에서 *Service Tools, Variables*(정비 도구, 변수)로 이동한 후 Dwell(드웰) 탭과 *Read Device Variables*(장치 변수 읽기)를 선택하여 열림/높음 또는 닫힘/낮음 드웰 및 전이 드웰 시간을 볼 수 있습니다. 그림 31을 참조하십시오. 유지 관리 포트에서 통신할 경우 *Read Dwell Variables*(드웰 변수 읽기) 버튼이 나타나지 않으며, 드웰 시간은 Dwell(드웰) 탭에서 직접 제공됩니다.

참고

그림 31의 스크린 샷은 무선 연결용입니다.

그림 30. AMS 무선 구성기 및 AMS 장치 관리자에서 마지막 열기 및 닫기 스트로크 시간 보기

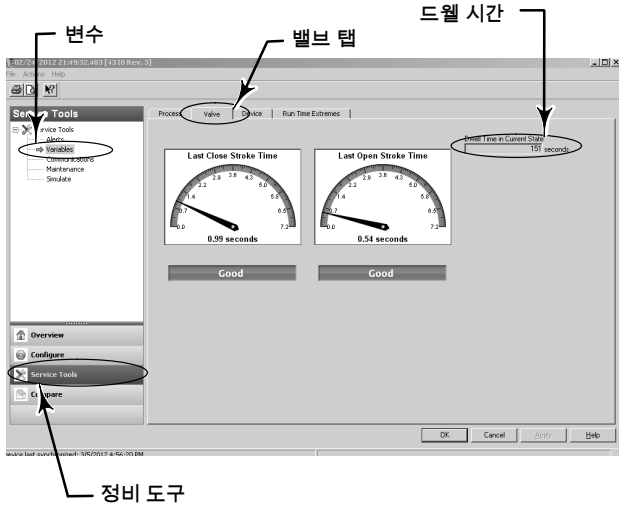
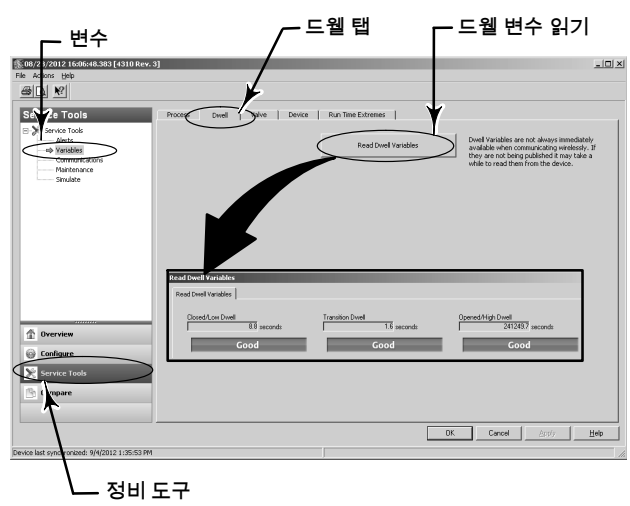


그림 31. AMS 무선 구성기 및 AMS 장치 관리자에서 드웰 시간과 전이 드웰 시간 보기



- 통신 진단을 통해 네트워크, 버스트, 하드웨어 트리거링, 이벤트 정보를 검토할 수 있습니다. 통신 진단에 관한 자세한 내용은 49페이지를 참조하십시오.

필드 커뮤니케이터 메뉴 트리는 그림 25와 26을 참조하십시오.

AMS 무선 구성기 또는 AMS 장치 관리자에서 *Service Tools*, *Communications*(정비 도구, 통신)으로 이동하여 통신 진단에 액세스합니다. 그림 32를 참조하십시오.

그림 32. AMS 무선 구성기 및 AMS 장치 관리자에서 통신 진단에 액세스하기



- 온도 극단은 장치가 서비스 시작 이후에 경험한 최고 온도와 최저 온도를 나타냅니다.

필드 커뮤니케이터 메뉴 트리는 그림 25와 26을 참조하십시오.

AMS 무선 구성기 또는 AMS 장치 관리자에서 *Service Tools, Variables*(정비 도구, 변수)로 이동한 후 *Run Time Extremes*(실행 시간 극단) 탭을 선택하여 온도 극단을 볼 수 있습니다. 그림 33을 참조하십시오.

- 활성 고장 조건 - 어떤 고장 조건이 고장 상태를 개시하였는지 나타냅니다(켜짐/꺼짐 제어만 해당).

필드 커뮤니케이터 메뉴 트리는 그림 25와 26을 참조하십시오.

AMS 무선 구성기 또는 AMS 장치 관리자에서 *Service Tools, Maintenance*(정비 도구, 유지 관리)로 이동한 후 *Controller*(컨트롤러) 탭을 선택하여 활성 고장 조건을 볼 수 있습니다. 그림 34를 참조하십시오.

그림 33. AMS 무선 구성기 및 AMS 장치 관리자에서 실행 시간 극단 보기

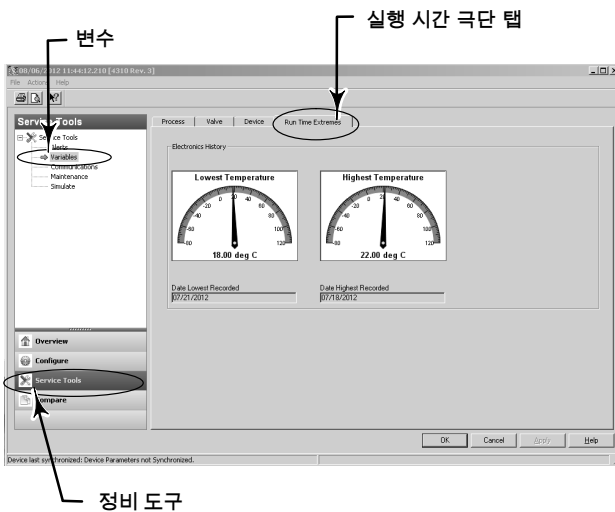
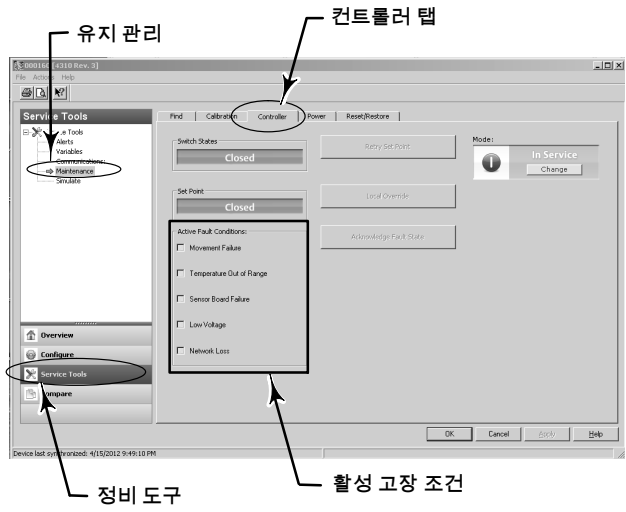


그림 34. AMS 무선 구성기 및 AMS 장치 관리자에서 활성 고장 조건 보기



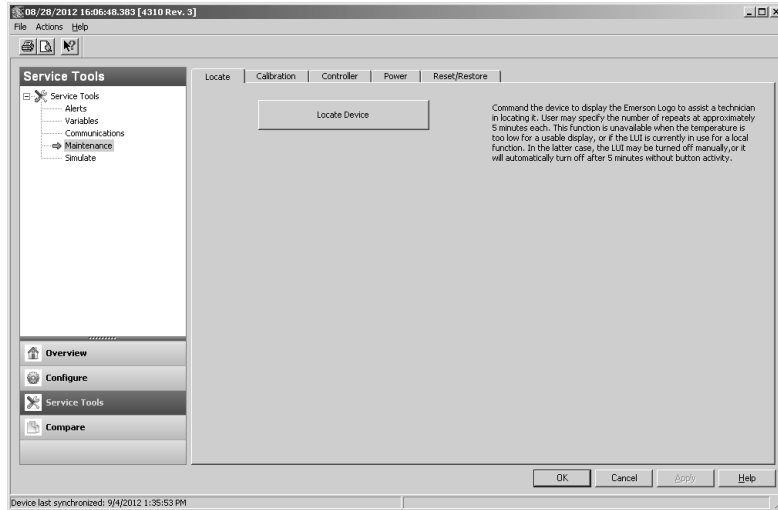
찾기

AMS 무선 구성기 또는 AMS 장치 관리자

Online(온라인), *Service Tools*(정비 도구), *Maintenance*(유지보수)를 선택한 다음 *Locate*(찾기) 탭에서 *Locate Device*(장치 찾기)를 선택하여 찾기에 액세스할 수 있습니다. 그림 35를 참조하십시오. *Locate Device*(장치 찾기)는 장치의 로컬 디스플레이에 5분 동안 꾸준히 에머슨 로고를 표시합니다. 요청에 따라 5분마다 스쿼크의 반복 횟수를 선택할 수 있습니다. 이 기능은 로컬 디스플레이가 너무 차가워 제대로 작동하지 않을 경우, 또는 LCD 화면을 이미 기술자가 사용 중일 경우에는 이용할 수 없습니다. 기술자가 작업을 완료하면 화면을 수동으로 끌 수 있습니다. 화면을 5분 동안 그냥 놓아둘 경우 자동으로 꺼집니다.

스쿼크 카운트가 소진되기 전에 장치의 위치가 파악되었을 경우, 기능은 DD 화면에서 취소할 수 있습니다. 장치의 로컬 화면에서 기술자가 어떠한 버튼을 눌러도 장치 찾기 로고 디스플레이를 방해할 수 있습니다.

그림 35. 장치 찾기



유지관리

⚠ 경고

상해나 자산 손실을 막기 위해 유지 관리 절차를 수행하기 전에는 항상 보호 의복, 장갑, 안경류를 착용하십시오.

밸브가 압력을 받고 있는 동안에는 밸브에서 액추에이터를 제거하지 마십시오.

액추에이터에 공기압, 전력 또는 제어 신호를 공급하는 모든 조작선을 차단하십시오. 액추에이터가 밸브를 갑자기 열거나 닫지 않도록 하십시오.

바이패스 밸브를 사용하거나 프로세스를 완전히 중지하여 밸브에 프로세스 압력이 전달되지 않게 하십시오. 밸브의 양측에 대한 프로세스 압력을 풀니다.

락아웃 절차를 사용하여 장비에 작업을 하는 동안 위에서 설명한 조치가 제대로 진행되고 있는지 확인하십시오.

프로세스 미디어에 대한 추가 보호 조치에 대해 프로세스 또는 안전 엔지니어를 통해 확인하십시오.

▲ 경고

천연 가스를 공급 매질로 사용할 경우 아래 내용이 적용됩니다.

- 공압식 연결부 또는 압력 유지 부품을 제거할 경우 유닛 및 주변 환경과 연결된 장비에서 천연 가스가 새어 나옵니다. 천연 가스를 공급 매체로 사용하면서 적절한 예방 조치를 취하지 않으면 화재나 자산 손실이 발생할 수 있습니다. 예방 조치로는 충분한 환기, 모든 점화 장치 제거 등이 있습니다.

주의

구성품 교체 시에는 공장에서 지정한 구성품만을 사용하십시오. 이 설명서에서 제시하는 대로 항상 적절한 구성품 교체 기술을 사용하십시오. 부적절한 기술이나 구성품을 선택하면 표 1에서 설명하는 제품 규격을 무효화할 수 있습니다. 부적절한 교체 기술이나 구성품을 선택하면 장치의 작동 및 기능을 손상시킬 수 있습니다.

주의

구성품 교체 시에는 적절한 정전기 방전 보호 수단이 필요합니다. 접지대나 기타 정전기 방전 보호 수단을 사용하지 못할 경우 전자장치 손상을 유발할 수 있습니다.

참고

-20°C(-4°F) 이하의 온도에서 작동 시에는 LCD나 버튼이 작동하지 않을 수 있습니다. 유지 관리가 필요하고 유선 HART 포트 사용이 필요할 경우에는 4310에서 전력을 제거하고 다시 적용합니다. 유선 HART 포트는 한 시간 동안 사용할 수 있습니다.

계기 문제 해결

문제 해결의 보조 수단으로서 표 5에서는 일반적인 작동 고장과 예상 원인을 열거하고 시정 조치를 제시합니다.

표 5. 기기 문제 해결

증상	예상 원인	작업
1. 액추에이터가 이동하지 않음	1a. 공급 에어 압력이 없음(또는 낮음)	1a. 공급 에어 압력 점검
	1b. 공기 연결부가 액추에이터 유형에 맞지 않음	1b. 공기 연결부를 시정함
2. 수동 검교정을 수행할 때 스펀 오류가 표시됨	2a. 회전 피드백 자석이 90°를 벗어남	2a. 피드백 자석을 어느 한 방향으로 90°로 회전함
	2b. 선형 배열 또는 호 배열이 배열의 흰색 중단 마크와 4310 하우징 뒷면의 중간 포인트로 표시된 범위 밖으로 움직임. 20페이지를 참조하십시오.	2b. 배열과 트래블이 배열 중단 표시 내에 오도록 조정함. 20페이지를 참조하십시오.
3. 자동 검교정 중에 액추에이터가 한 번 움직인 후 정지함	3a. 회전 피드백 자석이 90°를 벗어남	3a. 피드백 자석을 어느 한 방향으로 90°로 회전함
	3b. 선형 배열 또는 호 배열이 배열의 흰색 중단 마크와 4310 하우징 뒷면의 중간 포인트로 표시된 범위 밖으로 움직임. 20페이지를 참조하십시오.	3b. 배열과 트래블이 배열 중단 표시 내에 오도록 조정함. 20페이지를 참조하십시오.
	3c. 액추에이터가 안정된 포지션에 도달하지 않음	3c. 공급 압력을 조절하여 액추에이터가 중단 정지점에 도달하도록 함
4. 자동 검교정을 수행할 때 응답이 없거나 검교정 시간이 과도함	4a. 회전 피드백 자석이 90°를 벗어남	4a. 피드백 자석을 어느 한 방향으로 90°로 회전함
	4b. 선형 배열 또는 호 배열이 배열의 흰색 중단 마크와 4310 하우징 뒷면의 중간 포인트로 표시된 범위 밖으로 움직임. 20페이지를 참조하십시오.	4b. 배열과 트래블이 배열 중단 표시 내에 오도록 조정함. 20페이지를 참조하십시오.
	4c. 액추에이터가 안정된 포지션에 도달하지 않음	4c. 공급 압력을 조절하여 액추에이터가 중단 정지점에 도달하도록 함

기기 교체

이전에 제어 밸브에 장착된 기기를 교체하려면 다음의 기본 단계를 따릅니다.

기기 제거

4310 하우징을 장착 브라켓에 연결하는 볼트를 제거합니다.

참고

자석 어셈블리가 밸브 스템(또는 샤프트)에 남아있을 수 있습니다.

기기 교체 시에는 적절한 장착 절차를 따르도록 하십시오. 기기를 장착했으면 다시 정비에 들어가기 전에 검교정 절차를 수행합니다.

⚠ 경고

검교정하는 동안에는 밸브가 완전 스트로크로 움직입니다. 압력 또는 프로세스 유체의 배출에 의한 상해 및 자산 손실을 방지하려면 밸브를 프로세스에서 격리하고 밸브 양쪽의 압력을 균등하게 조정하거나 프로세스 유체를 배출하십시오.

자기 피드백 어셈블리 교체

액추에이터 스템에서 자석 어셈블리를 제거하려면 다음의 기본 단계를 따릅니다.

1. 액추에이터에서 4310을 제거합니다.
2. 자석 어셈블리를 연결부 앞에 고정하는 나사를 제거합니다.

적절한 설치/장착 절차에 따라 새 자석 어셈블리를 설치합니다. 기기를 장착했으면 다시 정비에 들어가기 전에 검교정 절차를 수행합니다.

전력 모듈 교체

⚠ 경고

두 개의 리튬-염화 티오닐(Li-SOCl₂)이 포함된 전력 모듈을 100°C(212°F) 이상의 온도에 노출할 경우 화재나 폭발로 인해 부상을 입거나 재산 손해를 입을 수 있습니다. 전력 모듈은 건냉하고 환기가 되는 곳에 보관해야 합니다. 최대 수명을 유지하려면 30°C(86°F)를 초과하는 온도에 보관해서는 안 됩니다.

참고

현장에서 교체 가능한 전력 모듈에 포함된 배터리를 재충전할 수 없습니다. 교체 전력 모듈이 필요할 경우에는 [Emerson Process Management 영업소](#)에 문의하십시오.

-10°C(14°F)와 -20°C(-4°F) 사이의 온도에서 작동할 때는 전력 모듈 수명이 영향을 받으므로 확장 전력 모듈을 사용하는 것이 좋습니다. -10°C(14°F) ~ -20°C(-4°F) 범위에서 지속적으로 사용할 경우 확장 전력 모듈의 예상 수명은 3년입니다.

참고

두 개의 리튬-염화 티오닐(Li-SOCl₂) 배터리가 포함된 전력 모듈을 사용 후 폐기할 때는 적절히 폐기해야 합니다. 폐기 절차는 해당 지역 규칙과 규정에 따라야 합니다.

자세한 내용은 리튬 배터리 폐기에 대한 다음 제조업체 지침을 참조하십시오.

http://www.tadiranbat.com/pdf.php?id=0111_-_Guidelines_for_Disposal_of_Lithium_Cells_and_Batteries(www.tadiranbat.com에서 제공).

제거

그림 5를 참조하십시오.

1. 두 개의 기기 덮개 나사를 풀고 덮개를 엽니다.
2. 하우징에 기계적으로 연결하는 네 개의 나사를 제거합니다.
3. 전력 모듈을 메인 보드에 있는 바나나 플러그 커넥터에서 분리합니다.
4. 전력 모듈을 제거합니다.

설치

표준 및 연장 수명 전력 모듈 설치(페이지 10)를 참조하십시오. 다시 정비에 들어가기 전에 기기를 다시 검교정합니다.

전력 모듈 변수 재설정

전력 모듈이 교체되면 남은 배터리 수명(그림 36)을 재설정해야 하며, 이는 전력 모듈의 유지 관리 일정을 세우는 데 사용할 수 있습니다. 카운터는 필드 커뮤니케이터 또는 AMS 장치 관리자를 사용해 재설정할 수 있습니다. 이 값을 재설정하면 전력 모듈 날짜 또한 변경됩니다.

필드 커뮤니케이터

Online, Configure, Manual Setup, Power Module(온라인, 구성, 수동 설정, 전력 모듈)을 선택한 다음 *Reset Module Data*(모듈 날짜 재설정)를 선택하여 배터리 수명을 재설정하십시오. 그림 25에 나타난 구성 메뉴 트리를 참조하십시오.

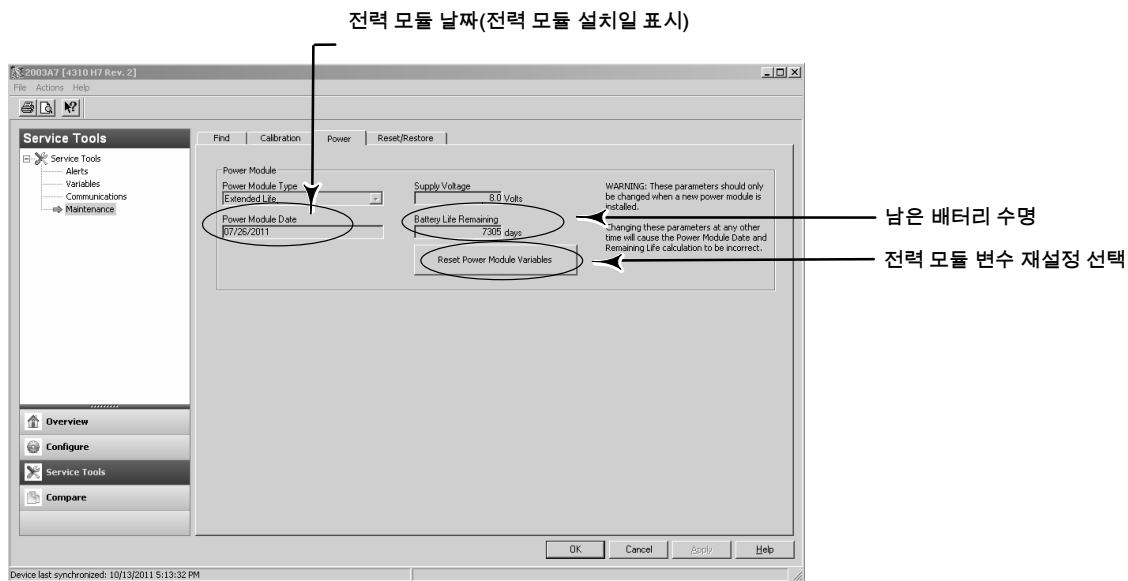
참고

모듈 날짜 재설정은 *Service Tools*(정비 도구), *Maintenance*(유지 관리) 및 *Power Module*(전력 모듈)을 선택하여 액세스할 수 있습니다.

AMS 무선 구성기 또는 AMS 장치 관리자

그림 36과 같이 AMS 장치 관리자에서 *Configure*(구성), *Manual Setup*(수동 설정)를 선택한 다음 *Reset Power Module Variables*(전력 모듈 변수 재설정)를 선택하여 전력 모듈 변수를 재설정합니다.

그림 36. 전력 모듈 변수 재설정



1. 이는 새 전력 모듈이 설치되었을 때에만 수행해야 한다는 점을 표시하는 경고가 표시됩니다. 전력 모듈을 교체했을 경우에는 Next(다음)를 선택합니다. 전력 모듈이 교체되지 않을 경우에는 Cancel(취소)을 선택합니다.
2. 계속하겠느냐는 질문을 받으면 Yes(예)를 선택합니다.
3. 표시된 상태 화면에서 Next(다음)를 누릅니다.

4. 표준 또는 연장 중 설치된 전력 모듈 유형을 선택합니다. 그림 4를 참조하여 전력 모듈 유형을 파악합니다. Next(다음)를 눌러 계속하십시오.
5. 전력 모듈 날짜 상태 화면에서 Next(다음)를 선택하여 계속합니다.

참고

장치가 처음에 네트워크에 결합하고 전력 모듈 날짜가 업데이트되지 않았으며, 캡처한 첫 날이 캡처되고 보관됩니다. 전력 모듈 날짜는 장치가 무선 네트워크 상에 있는 한 업데이트됩니다.

6. Next(다음)를 선택하여 전력 모듈 변수 재설정 절차를 완료합니다.

구성품 유지 관리 - 켜짐/꺼짐 제어 옵션

참고

모니터링 옵션이 있는 4310에는 교체 가능한 구성품이 없습니다.

구성품은 일반적으로 마모되기 쉬우므로 필요할 때마다 검사 및 교체해야 합니다. 검사 및 교체 빈도는 정비 상태의 강도에 따라 다릅니다. 구성품 수명에 영향을 미칠 수 있는 조건에는 공기 배관 내 과도한 물, 동결 또는 더러운 공기 등이 포함되지만 이에 국한되지 않습니다.

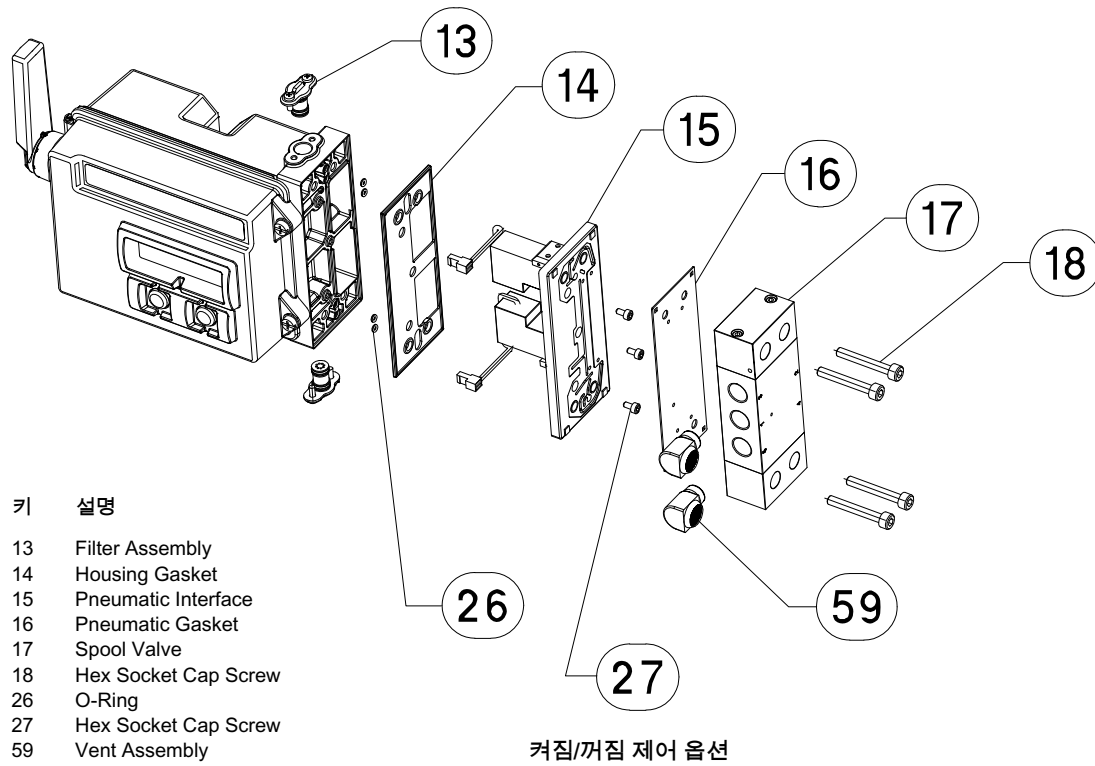
이 섹션에서는 스펴 밸브와 공압 개스킷, 공압 접속부와 하우징 개스킷, 필터 어셈블리를 제거하고 교체하는 방법을 설명합니다.

별도 명시가 없는 한 키 번호는 그림 37에 표시되어 있습니다.

스펴 밸브와 공압 개스킷 제거

1. 네 개의 육각 렌치 볼트(키 18)를 제거합니다.
2. 스펴 밸브(키 17)를 주의하여 제거합니다. 필요할 경우 스펴 밸브를 4310에서 쉽게 분리하기 위해 모서리에서 조심스럽게 지렛대를 사용할 수 있습니다.
3. 장치에서 공압 개스킷(키 16)을 제거합니다. 개스킷이 스펴 밸브나 공압 접속부 외면에 붙을 수 있으므로 주의가 필요합니다.
4. 아래 지시에 따라 새 스펴 밸브와 개스킷을 설치합니다.

그림 37. TopWorx 4310 어셈블리



키	설명
13	Filter Assembly
14	Housing Gasket
15	Pneumatic Interface
16	Pneumatic Gasket
17	Spool Valve
18	Hex Socket Cap Screw
26	O-Ring
27	Hex Socket Cap Screw
59	Vent Assembly

켜짐/꺼짐 제어 옵션

GE53345-C

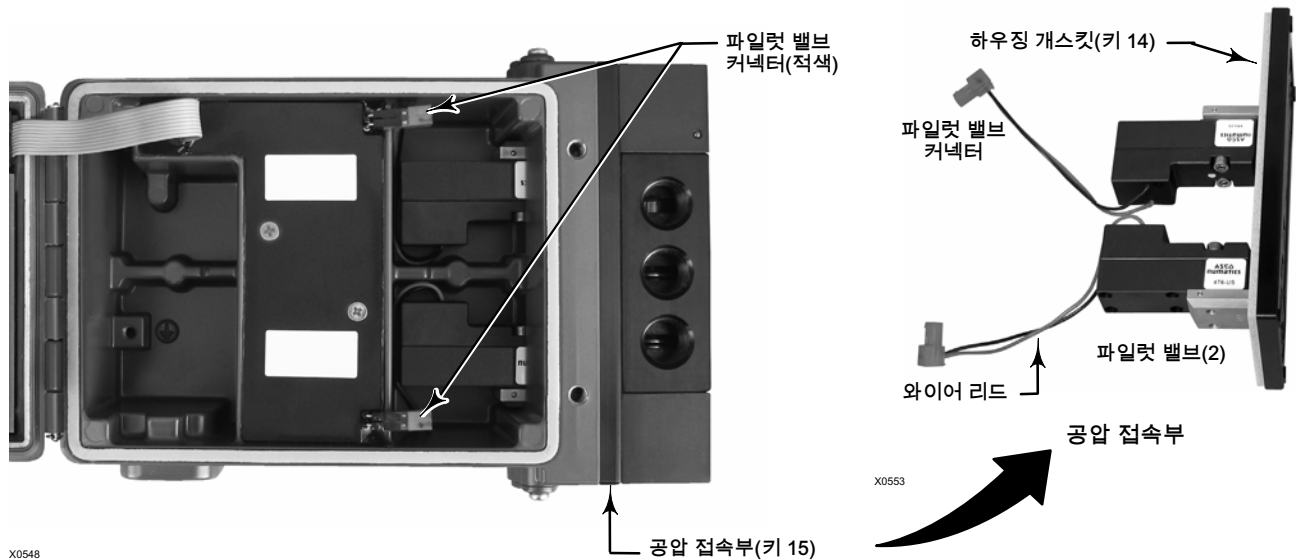
스풀 밸브와 공압 개스킷 설치

1. 개스킷(키 16)에 있는 다섯 개의 작은 구멍을 스푼 밸브(키 17)에 있는 다섯 개의 작은 구멍에 정렬합니다. 두 개 이상의 육각 렌치 볼트(키 18)를 스푼을 통과하도록 삽입하면 개스킷과 스푼을 정렬하는 데 도움이 됩니다.
2. 스푼을 하우징에 설치합니다. 이때 스푼 측면이 세 개의 1/4 NPT 피팅과 함께 장치 전면에 보이도록 해야 합니다.
3. 나머지 육각 렌치 볼트(키 18)를 교체하고 4.5N·m(40lbf·in)의 토크로 조입니다.

공압 접속부와 개스킷 제거

1. 아래 지시에 따라 스푼 밸브와 공압 개스킷을 제거합니다.
2. 4310을 열고 센서 보드에서 두 개의 적색 파일럿 밸브 커넥터를 주의하여 뽑아 냅니다. 그림 38 참조.

그림 38. 공압 접속부



3. 공압 접속부(키 15)에서 세 개의 육각 렌치 볼트(키 27)를 제거합니다.
4. 공압 접속부를 하우징에서 똑바로 당겨 제거합니다.
5. 하우징 개스킷(키 14)을 주의하여 제거합니다. 공압 접속부 뒷면에 붙어 있을 수 있기 때문입니다.
6. 네 개의 O-링(키 26)을 제거합니다.
7. 아래 절차에 따라 새 공압 접속부와 개스킷을 설치합니다.

공압 접속부와 개스킷 설치

1. 네 개의 새 O-링(키 26)을 하우징에 설치합니다.
2. 새 하우징 개스킷(키 14)을 설치합니다. 이때 개스킷이 하우징에 완전히 안착되도록 해야 합니다.
3. 파일럿 밸브의 와이어 리드를 하우징의 해당 개방부에 정렬하고, 두 개의 커넥터가 연결될 수 있을 때까지 공압 접속부를 하우징에 조심스럽게 밀어넣습니다.
4. 공압 접속부를 하우징에 삽입합니다.
5. 세 개의 육각 렌치 볼트(키 27)를 설치하고 1.13N·m(10lbf·in.)의 토크로 조입니다.
6. 4310 덮개를 달고 기기의 커버 나사를 5.6 ~ 6.7N·m(50 ~ 60lbf·in.) 토크로 조입니다.
7. 64페이지의 지시에 따라 스펀 밸브와 공압 개스킷을 설치합니다.

필터 교체

1. 필터 어셈블리(키 13)를 제 자리에 유지한 채 두 개의 나사를 제거합니다.
2. 하우징에서 필터 어셈블리를 제거합니다(제거가 용이하도록 필터를 비트는 것도 괜찮습니다).
3. 새 필터를 하우징에 삽입합니다. 이때 구멍이 하우징에 있는 나사 구멍과 정렬되도록 해야 합니다.
4. 필터 어셈블리를 제 자리에 유지한 채 두 개의 나사를 제거하고 1.13N·m(10lbf·in.)의 토크로 조입니다.
5. 두 번째 필터에 대해서도 위 단계를 반복합니다.

부품

⚠ 경고

에머슨의 진품 교체 부품만을 사용하십시오. 에머슨 프로세스 매니지먼트에서 제공하지 않는 구성품은 어떠한 상황에서도 TopWorx 기기에 사용해서는 안 됩니다. 에머슨 프로세스 매니지먼트에서 제공하지 않는 구성품을 사용하면 보증이 무효화될 수 있으며 기기의 성능에 부작용을 미치고 상해나 자산 손실을 유발할 수 있습니다.

수리 키트

참고
부품 키트는 커짐/꺼짐 옵션이 있는 4310에 대해서만 제공됩니다.

키트	설명	부품 번호
1	Complete Repair Kit Kit contains Filter Assembly, qty. 2 (key 13); Housing Gasket (key 14); Pneumatic Interface (key 15); Pneumatic Gasket (key 16); Spool Valve (key 17); Hex Socket Cap Screw, qty. 4 (key 18); O-Ring, qty. 4 (key 26); Hex Socket Cap Screw, qty. 3 (key 27); and Vent Assembly, qty. 2 (key 59)	R4300X0RK12
2	Pilot Valve Repair Kit Kit contains key Housing Gasket (key 14); Pneumatic Interface (key 15); Pneumatic Gasket (key 16) Hex Socket Cap Screw, qty. 4 (key 18); O-Ring, qty. 4 (key 26); and Hex Socket Cap Screw, qty. 3 (key 27)	R4300X0PV12
3	Spool Valve Repair Kit Kit contains Pneumatic Gasket (key 16); Spool Valve (key 17); Hex Socket Cap Screw, qty. 4 (key 18) ; and Vent Assembly, qty. 2 (key 59)	R4300X0SV12
4	Soft Seal Kit Kit contains Housing Gasket (key 14); Pneumatic Gasket (key 16); and O-Ring, qty. 4 (key 26)	R4300X0SS12
5	Filter Repair Kit Kit contains Filter Assembly qty. 2 (key 13)	R4300X00F12

교체용 부품

참고
부품 주문 정보는 [Emerson Process Management 영업소](#)에 문의하십시오.

설명

Standard Power Module
Extended Life Power Module

Mounting Kit
Magnet Assembly (typically included with Mounting Kit)



4310에 관한 추가 정보를
보려면 QR 코드를 스캔하거나
클릭하십시오

TopWorx 글로벌 지원 사무실:

북미
3300 Fern Valley Road
Louisville, Kentucky 40213 USA
+1 502 969 8000
info.topworx@emerson.com

중동
P.O. Box 17033
Jebel Ali Free Zone
Dubai 17033
United Arab Emirates
+9714 8118283
info.topworx@emerson.com

아시아-태평양
1 Pandan Crescent
Singapore 128461
+65 6891 7550
info.topworx@emerson.com

유럽
Horsfield Way
Bredbury Industrial Estate
Stockport SK6 2SU
England
+44 0 161 406 5155
info.topworx@emerson.com

아프리카
24 Angus Crescent
Longmeadow Business Estate East
Modderfontein
Gauteng RSA
+27 11 451 3700
info.topworx@emerson.com

에머슨, 에머슨 프로세스 매니지먼트 또는 그 어떤 계열사도 제품의 선택, 사용, 유지 관리에 책임을 지지 않습니다. 모든 제품의 선택, 사용, 유지 관리 책임은 오직 구매자 및 최종 사용자에게 있습니다.

TopWorx 및 Fisher는 Emerson Electric Co.의 에머슨 프로세스 매니지먼트 사업부의 회사 중 하나가 소유하는 마크입니다. 에머슨 프로세스매니지먼트, 에머슨, 에머슨 로고는 Emerson Electric Co.의 상표 및 서비스 마크입니다. HART 및 *Wireless*HART는 FieldComm Group의 등록 상표입니다. 기타 모든 표시는 해당 소유자의 자산입니다.

이 인쇄물의 내용은 단지 정보 제공 목적으로 제공되며, 내용의 정확성을 기하기 위해 모든 노력을 기울인 데 반해, 여기에서 설명한 제품이나 서비스 또는 그 사용이나 적용에 관한 한 명시적이든 암묵적이든 보증으로 해석되어서는 안 됩니다. 모든 판매는 회사 약관의 지배를 받으며, 요청 시 제공받을 수 있습니다. 회사는 특별한 고지 없이 언제든지 해당 제품의 설계 또는 규격을 변경 또는 개선할 권리를 가집니다.