

# CSA Hazardous Area Approvals Fisher™ 3722 Electro-Pneumatic Converter

## Hazardous Area Classifications and Special Instructions for “Safe Use” and Installations in Hazardous Locations

Certain nameplates may carry more than one approval, and each approval may have unique installation/wiring requirements and/or conditions of “safe use”. These special instructions for “safe use” are in addition to, and may override, the standard installation procedures. Special instructions are listed by approval.

### Note

This information supplements the nameplate markings affixed to the product and the 3710 and 3720 Valve Positioners and 3722 Electro-Pneumatic Converter instruction manual ([D101728X012](#)), available from your [Emerson sales office](#) or Local Business Partner, or at [www.Fisher.com](#).

Always refer to the nameplate itself to identify the appropriate certification.

These Special Instruction for “Safe Use” and Installation in Hazardous Location also apply to 3720 positioners.

### **⚠ WARNING**

**Failure to follow these conditions of “safe use” could result in personal injury or property damage from fire or explosion, or area re-classification.**

### Intrinsically Safe, Explosion-proof, Type n, Dust Ignition-proof

No special conditions for safe use.

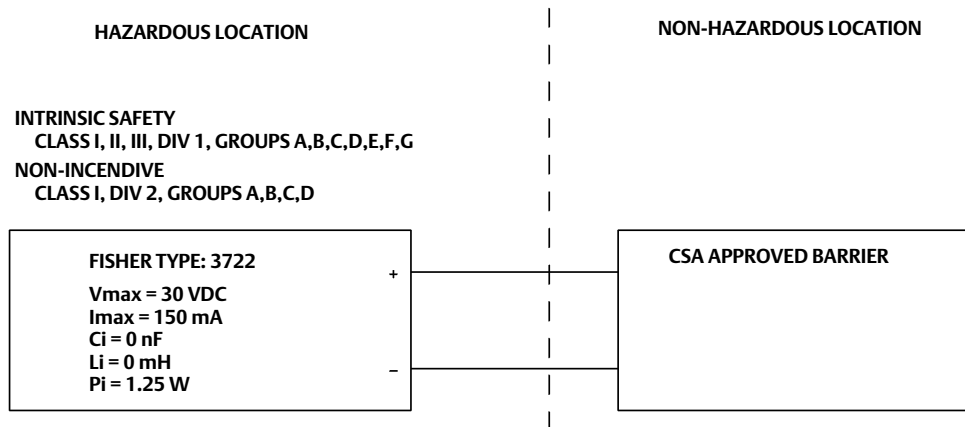
Refer to table 1 for approval information.

Table 1. Hazardous Area Classifications<sup>(1)</sup>

Certification Body	Certification Obtained	Entity Rating	Temperature Code
CSA	Intrinsically Safe Ex ia IIC T4/T5/T6 per drawing GE28591 (figure 1) Ex ia Intrinsically Safe Class I, II Division 1 GP A,B,C,D,E,F,G T4/T5/T6 per drawing GE28591 (figure 1)	Vmax = 30 VDC Imax = 150 mA Pi = 1.25 W Ci = 0 nF Li = 0 mH	T4 (Tamb ≤ 82°C) T5 (Tamb ≤ 62°C) T6 (Tamb ≤ 47°C)
	Explosion-proof Ex d IIC T5 Class I, Division 1, GP A,B,C,D T5	---	T5 (Tamb ≤ 82°C)
	Type n Ex nA IIC T6	---	T6 (Tamb ≤ 82°C)
	Class I, Division 2, GP A,B,C,D T6	---	T6 (Tamb ≤ 82°C)
	Class II, Division 1, GP E,F,G T5		T5 (Tamb ≤ 82°C)
	Class II, Division 2, GP F,G T6		T6 (Tamb ≤ 82°C)

1. These hazardous area classification also apply to 3720 positioners.

Figure 1. Loop Schematic (Installation Drawing GE28591)



**NOTES:**

1. BARRIERS MUST BE CSA CERTIFIED WITH ENTITY PARAMETERS AND ARE TO BE INSTALLED IN ACCORDANCE WITH THE MANUFACTURER'S I.S. INSTALLATION INSTRUCTIONS.
2. EQUIPMENT SHALL BE INSTALLED IN ACCORDANCE WITH THE CANADIAN ELECTRICAL CODE, PART I.
3. FOR ENTITY INSTALLATION (I.S. AND N.I.):  $V_{max} > V_{oc}$ ,  $I_{max} > I_{sc}$ ,  $C_i + C_{cable} < C_a$ ,  $L_i + L_{cable} < L_a$ .

GE28591-A

Neither Emerson, Emerson Automation Solutions, nor any of their affiliated entities assumes responsibility for the selection, use or maintenance of any product. Responsibility for proper selection, use, and maintenance of any product remains solely with the purchaser and end user.

Fisher is a mark owned by one of the companies in the Emerson Automation Solutions business unit of Emerson Electric Co. Emerson Automation Solutions, Emerson, and the Emerson logo are trademarks and service marks of Emerson Electric Co. All other marks are the property of their respective owners.

The contents of this publication are presented for informational purposes only, and while every effort has been made to ensure their accuracy, they are not to be construed as warranties or guarantees, express or implied, regarding the products or services described herein or their use or applicability. All sales are governed by our terms and conditions, which are available upon request. We reserve the right to modify or improve the designs or specifications of such products at any time without notice.

Emerson Automation Solutions  
 Marshalltown, Iowa 50158 USA  
 Sorocaba, 18087 Brazil  
 Cernay, 68700 France  
 Dubai, United Arab Emirates  
 Singapore 128461 Singapore

[www.Fisher.com](http://www.Fisher.com)

