

## Mounting Instructions

D103537X012  
January 2011

# DVC6200 or DVC2000 Digital Valve Controller on 1066 Size 75 Actuator (End Mount)

Use these instructions to mount a Fisher FIELDVUE DVC6200 or DVC2000 digital valve controller on Fisher 1066 size 75 actuators.

All other information regarding the instrument, including safety cautions and warnings, can be found in the quick start guide that shipped with your instrument.



## WARNING

**Avoid personal injury or property damage from sudden release of process pressure or bursting of parts. Before performing any maintenance operations:**

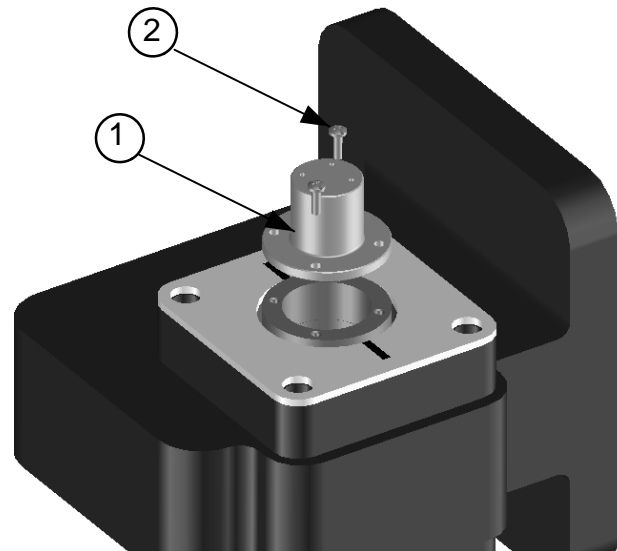
- Always wear protective clothing, gloves, and eyewear.
- Do not remove the actuator from the valve while the valve is still pressurized.
- Disconnect any operating lines providing air pressure, electric power, or a control signal to the actuator. Be sure the actuator cannot suddenly open or close the control valve.

- Use bypass valves or completely shut off the process to isolate the control valve from process pressure. Relieve process pressure from both sides of the control valve.

- Vent the pneumatic actuator loading pressure and relieve any actuator spring precompression.

- Use lock-out procedures to be sure that the above measures stay in effect while you work on the equipment.

- Check with your process or safety engineer for any additional measures that must be taken to protect against process media.



**Step 1.** Attach the coupler (key 1) to the actuator shaft using the pan head screws (key 2).



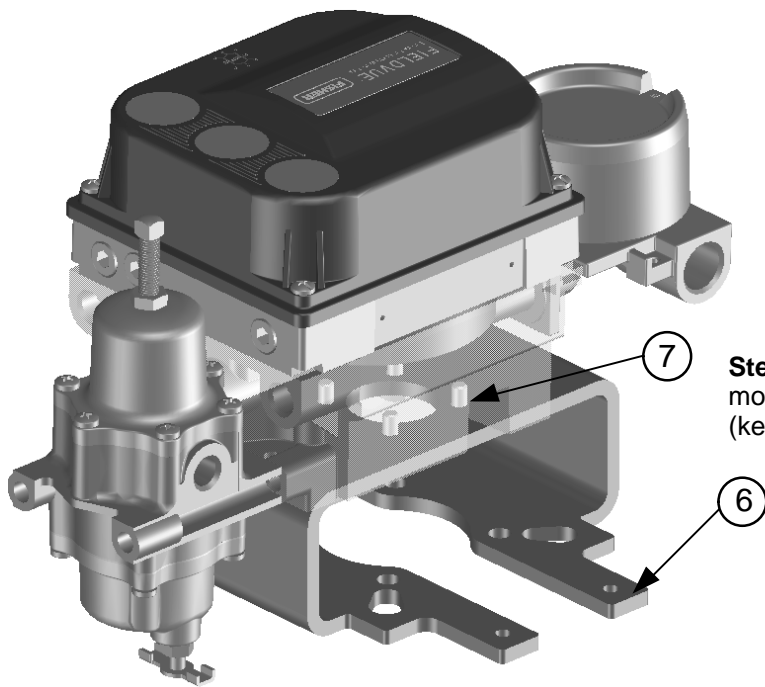
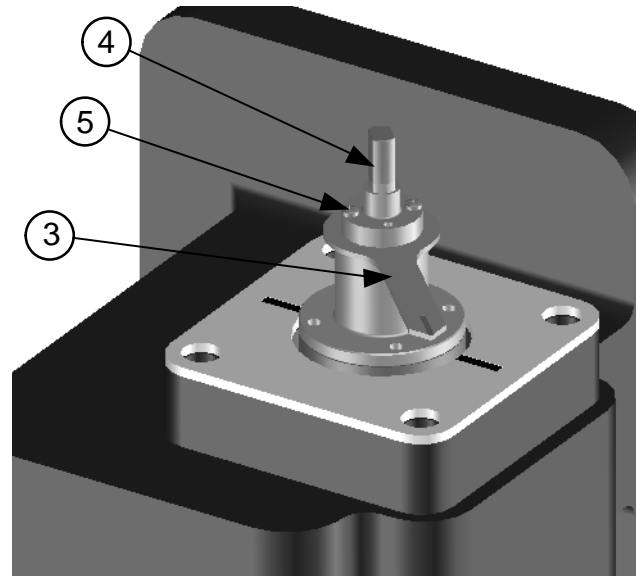
# DVC6200 or DVC2000 Digital Valve Controller on 1066 Size 75 Actuator (End Mount)

## Mounting Instructions

D103537X012

January 2011

**Step 2.** Place the pointer (key 3) before attaching the magnet assembly (key 4) to the coupler, using pan head screws (key 5) to tighten in place.



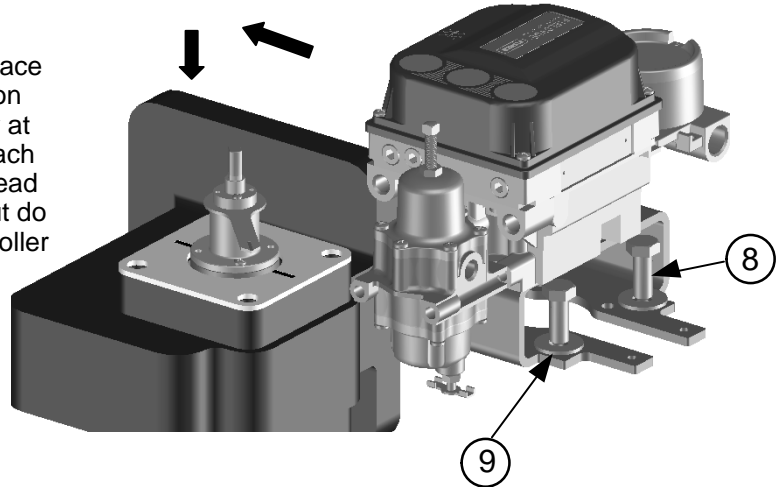
**Step 3.** Attach the digital valve controller to the mounting bracket (key 6) using hex head cap screws (key 7).

# DVC6200 or DVC2000 Digital Valve Controller on 1066 Size 75 Actuator (End Mount)

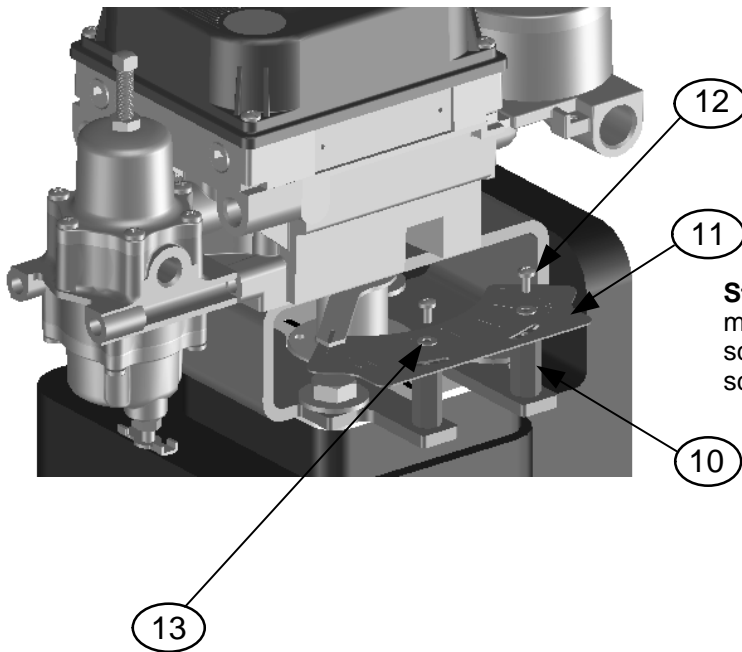
## Mounting Instructions

D103537X012  
January 2011

**Step 4.** While mounting the bracket with digital valve controller to the actuator, hold the bracket approximately one inch above the mounting surface and move towards coupler until the center hole on bracket locates magnet assembly approximately at the center and then move down the bracket. Attach the bracket to the actuator housing, using hex head cap screws (key 8) and plain washers (key 9) but do not tighten. Visually adjust the digital valve controller assembly so that the magnet assembly is centered in the housing channel and then tighten the fasteners.



**Note:**  
Select the appropriate screws (key 8) and washers (key 9) as per actuator thread standard.



**Step 5.** Attach the post mountings (key 10) to the mounting bracket and then attach travel indicator scale (key 11) to the post mountings using pan head screws (key 12) and washers (key 13).

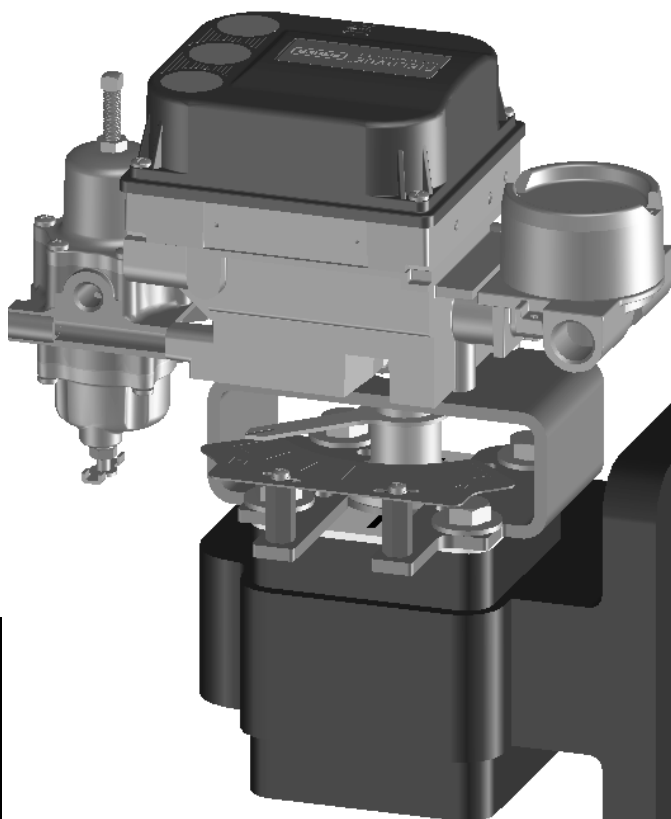
# DVC6200 or DVC2000 Digital Valve Controller on 1066 Size 75 Actuator (End Mount)

## Mounting Instructions

D103537X012

January 2011

Completed digital valve controller mounting kit assembly will look as shown.



Refer to the Parts List for mounting parts identification.

PART LIST		
KEY	QTY	DESCRIPTION
1	1	COUPLER
2	2	8-32UNCX0.50" PAN HD SCREW
3	1	POINTER
4	1	MAGNET ASSEMBLY
5	2	M3X0.5X14 PAN HD SCREW
6	1	MOUNTING BRACKET
7	4	M6X1X14 HEX HD CAP SCREW
8	4	5/16"-18UNCX0.88" OR 3/8"-16UNCX0.88" HEX HD CAP SCREW
9	4	5/16" OR 3/8" PLAIN WASHER
10	2	POST MOUNTING
11	1	TRAVEL INDICATOR SCALE
12	2	M4X0.7X8 PAN HD SCREW
13	2	M4 PLAIN WASHER

**COMPLETED DIGITAL VALVE  
CONTROLLER MOUNTING KIT ASSEMBLY**

Fisher is a mark owned by one of the companies in the Emerson Process Management business division of Emerson Electric Co. Emerson Process Management, Emerson, and the Emerson logo are trademarks and service marks of Emerson Electric Co. All other marks are the property of their respective owners.

The contents of this publication are presented for informational purposes only, and while every effort has been made to ensure their accuracy, they are not to be construed as warranties or guarantees, express or implied, regarding the products or services described herein or their use or applicability. All sales are governed by our terms and conditions, which are available upon request. We reserve the right to modify or improve the designs or specifications of such products at any time without notice. Neither Emerson, Emerson Process Management, nor any of their affiliated entities assumes responsibility for the selection, use or maintenance of any product. Responsibility for proper selection, use, and maintenance of any product remains solely with the purchaser and end user.

### Emerson Process Management

Marshalltown, Iowa 50158 USA

Sorocaba, 18087 Brazil

Chatham, Kent ME4 4QZ UK

Dubai, United Arab Emirates

Singapore 128461 Singapore

[www.Fisher.com](http://www.Fisher.com)

